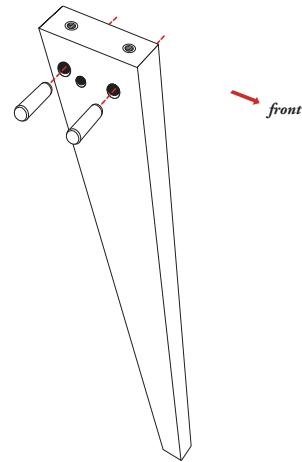


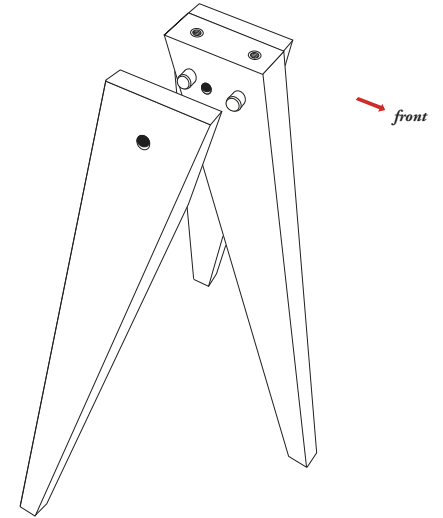
GURU STANDPOINT

1. Insert the two wooden dowels in the holes of the middle leg and make sure they are centered.
2. Assemble the middle leg with the right and left leg.
3. Fasten one of the barrel nut to the stud, using only a few turns. Thread the stud through the three legs and secure it with the other barrel nut. Tighten on both sides.
4. Put the aluminium plate on top and tighten the screws. The top plate isn't symmetrical (front to back) so make sure it's oriented as in the picture. Make sure to place your speakers as close to wall as possible!

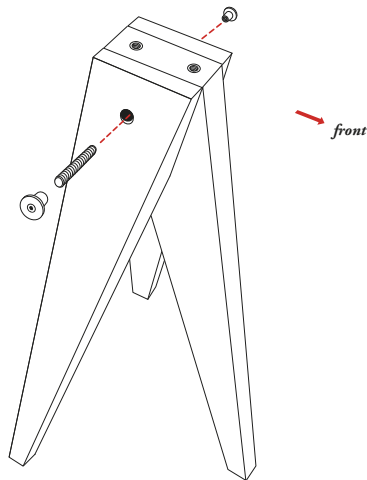
1



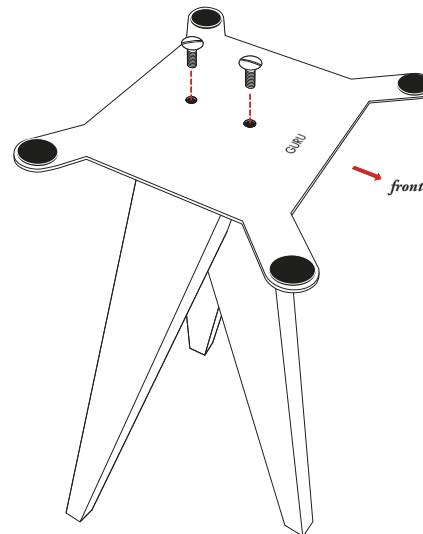
2



3

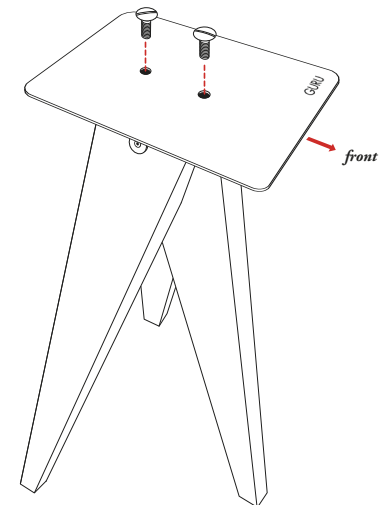


4



For Guru Q10

4



For Guru 8 and 12