



6 PerspeX Balanced

High-End Turntable with 9" Evo Tonearm - True-Balanced Ready

n/c MSRP 2.390 € (incl. VAT)

incl. Pick it MC3 MSRP 2.799 € (incl. VAT)

- **NEW** „True Balanced Connection“ by Pro-Ject
- **NEW** RCA phono & 5-pin mini XLR output
- **NEW** pre-adjusted Pick it MC3 cartridge
- Sub-chassis made from Corian with magnetic suspension
- Acoustically inert sandwich MDF platter
- Vinyl layer on platter for perfect record surface
- Inverted main bearing with ceramic ball/plate
- Belt drive with AC motor with DC driven AC generator
- Electronic speed control with 33/45 rpm switching
- Pre-mounted EVO 9 CC tonearm
- Tonearm bearings with ABEC 7 ballraces
- Connect it Phono E RCA cable
- Handmade in Europe

Speed: 33, 45 (electronic speed change)
Drive principle: belt drive
Platter: MDF/vinyl Sandwich (300mm diameter)
Mains bearing: inverted stainless steel + ceramic ball
Wow & flutter: +/-0,1%
Speed drift: +/-0,06%
Signal to noise: 73dB
Tonearm: 9" cc EVO (Carbon)
Effective arm length: 230 mm
Effective arm mass: 8,0 g
Overhang: 18mm
Tracking force: 10 - 35mN
Supplied counterweights: 5 - 14gr
External power supply: 15 volts DC / 800mA
Power connection: 110/120 or 230/240 Volt - 50 or 60 Hz
Power consumption: 6 watts max / < 0,3 watts standby
Dimensions: 460 x 183 x 365mm (WxHxD)
Weight: 11,0 kg net



Crystal clear sound & look

The transparent acrylic plinth stands on three individually height-adjustable TPE-damped aluminium cones and carries the motor and the sub-chassis. The sub-chassis, made of Corian, rests on three magnetic fields. A magnetic sub-chassis suspension system avoids parasitic noise normally caused by conventional spring mechanism. A quiet running AC motor unit drives the platter's outside edge via a belt. It does incorporate an advanced DC-driven motor control, that ensures perfect speed stability and electronic speed change.

9 CC EVO Tonearm

The 6PerspeX Balanced turntable features our high end 9" CC carbon tonearm with a massive bearing construction. It uses an inverted cardanic ABEC 7 quality bearing with 4 stainless steel tips. This bearing type is very stable and low friction, which guarantees a clear tracking.

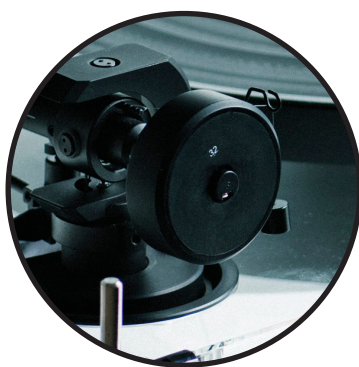
The full aluminium tonearm base offer you real audiophile features. It allows you to adjust both the azimuth and the vertical tracking angle (VTA).

Setting and experimenting with the VTA & Azimuth is crucial in extracting every last bit of performance out of your cartridge.



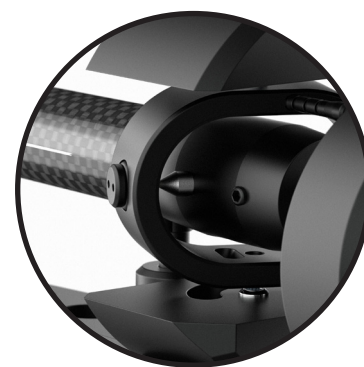
Correct adaptive anti-skating mechanism

As the skating force varies between the inner and outer grooves of the vinyl record, our anti-skating mechanism adjusts accordingly.



TPE damped counterweight

The TPE insert decouples the counterweight from the tonearm and reduces resonances.



Cardan ultra-low friction 4 pin point bearing

The precise cardanic bearing with 4 stainless steel tips offers very low friction and best stability.



True Balanced

The included Pro-Ject MC3 cartridge allows you a „True Balanced“ signal transmission.

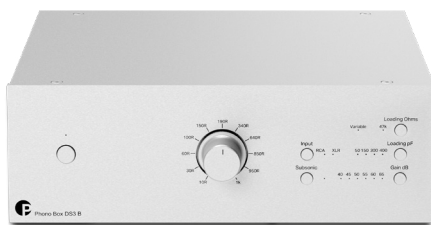
The Pick it MC3 is an all-purpose cartridge which delivers powerful and dynamic sound optimised for pop and rock, but also for big orchestral classic.

The big advantage of a balanced connection is its ability to remove picked up noise and interferences.

Our „True Balanced“ cable range offers you the perfect cable to connect your turntable to the Phono Box S3 B, Phono Box DS3 B or our Tube Box DS3 B.



Phono Box S3 B



Phono Box DS3 B



Tube Box DS3 B

High quality phono cable

Cables are not able to make your sound system sound better, but they ensure that every detail and information of the signal is transmitted to the dedicated receiving device.

The included Connect it Phono E RCA is a high quality phono optimized cable. We focused on quality core materials like a copper conductor for a signal transmission without losses.

Upgrade to TRUE BALANCED

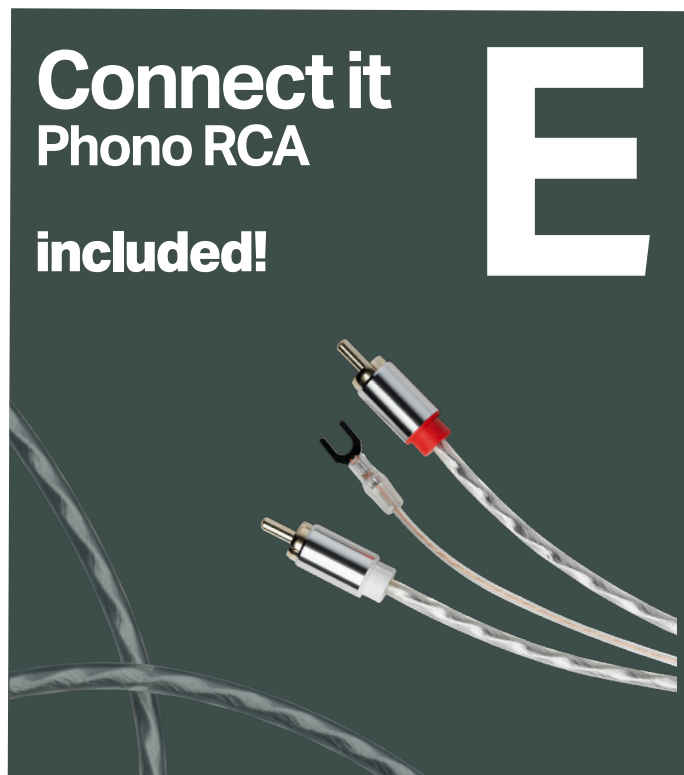
Use it in balanced configuration to ignite the full potential!

Get your True Balanced cable now!

Contact your dealer for more information or go to:



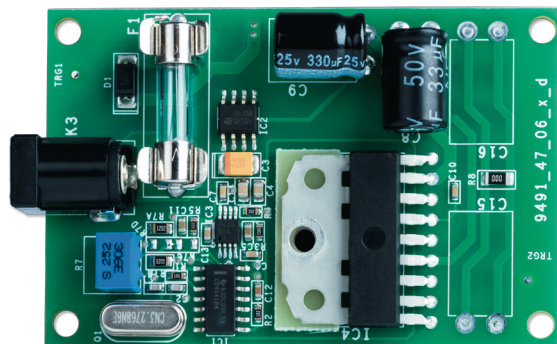
www.project-audio.com/connect-it-cables



Sophisticated DC/AC power generator

In all our turntables, we use a "cheap looking" switch mode power supply. We do this, as we use a precision DC-driven AC generator inside the turntable, which powers the motor.

With this we create a completely clean new sine wave. This guarantees very clean power which results in enhanced speed stability.



The upgrade for your phono setup

A clean and stable power is necessary for your phono setup. The included power supply is already a good base, but we want to go further.

The **Power Box S3 Phono** provides power for the 6PerspeX Balanced and also a Pro-Ject phono pre-amp. Its two outputs are specifically engineered to power Pro-Ject turntables and phono preamps.

The sophisticated DC filtration can have a dramatic impact on the sound quality.

In addition to the sound improvements, Power Box S3 Phono also offers its users a cleaner cable solution, avoiding PSU and cable mess.

