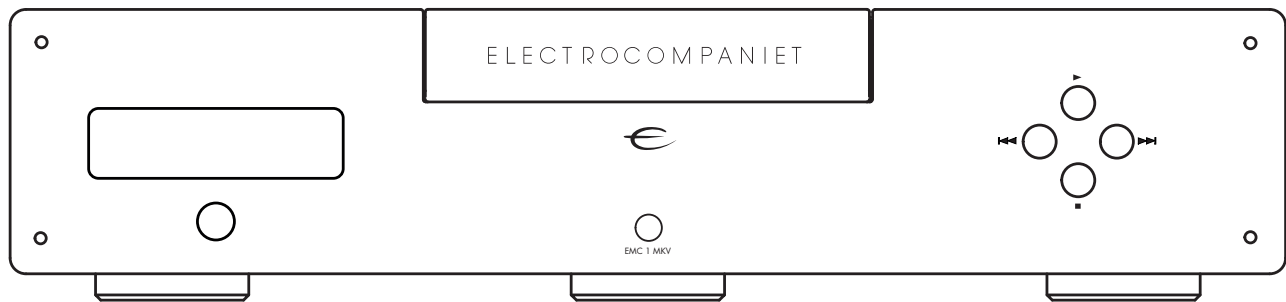




ELECTROCOMPANIET  
If music *really* matters™



## EMC 1 MKV

*Reference CD player*

---

### Owner's Manual

---

EN

ENGLISH



## Welcome to the world of Electrocompaniet!

We thank you for choosing an Electrocompaniet high-end product.

At Electrocompaniet we are relentlessly focused on developing audio equipment that is capable of bringing the fabulous experience of the concert hall into the very heart of your home.

Our aim when developing and testing new products is to ensure that the wonderful richness of tone and every nuance of feeling and emotion of a piece of music is delivered to you just as the artist intended.

We continually strive to give you the very best musical listening experience available whatever your preferred musical genre.

Sincerely yours,  
The Electrocompaniet team



## Warning:

To avoid risk of fire or electric shock, do not expose this appliance to rain or moisture. Verify line voltage before use. Do not remove cover. No user serviceable parts inside. Refer servicing to qualified service personal. The warranty is void if the product is tampered with by non-authorized personnel. Use only authorized Electrocompaniet service centers.

## The contents of the carton

- 1 pc. EMC 1 MKV Reference CD player
- 1 pc. AC main cord
- 1 pc. IR Remote control
- 2 pcs. AAA Batteries for remote control
- 1 pc. CD clamp
- 2 pcs. Allen keys for securing of the Mechanical Cancellation System.
- 1 pc. Owner's manual
- 1 pc. Inspection card

## Unpacking the EMC 1 MKV

Immediately upon receipt of the EMC 1 MKV CD player, inspect the carton for possible damage during shipment. The carton and packaging have been designed to provide the safest possible protection for transport of your EMC 1 MKV. Unpack the unit carefully. Save all packaging materials for future shipment.



## Important Notice

The transport screws must be removed for proper operation. When moving the CD player. Always re-insert and tighten the transport screws to avoid severe damage to the unit!

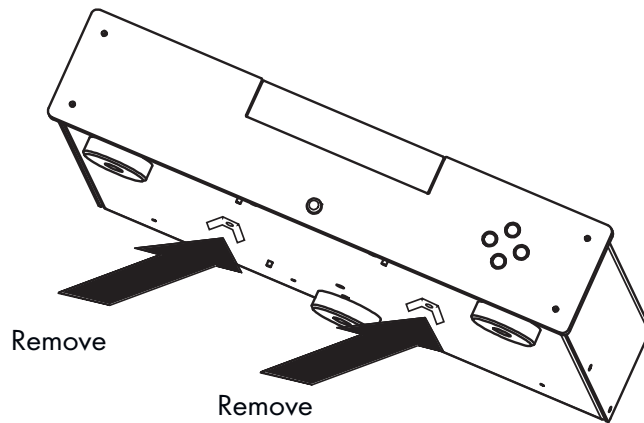
For optimal sonic performance, the EMC 1 MKV should be burned in for a minimum time of 72 hours. The easiest way to burn in your EMC 1 MKV is to put a disc in REPEAT mode with the rest of your system turned off. In daily operation, switch off the CD player by using the STANDBY button on the remote. If the CD player has been switched off, allow two hours of warm-up to optimize sonic performance. Proper ventilation is important. Please refer to page 4 for removal of the CD transport screws.



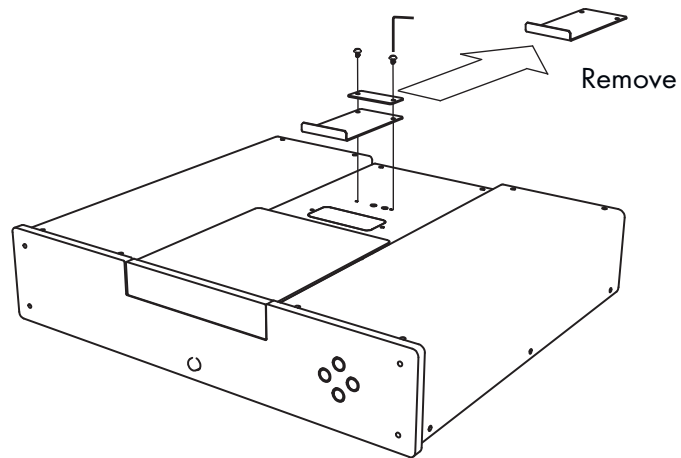
## Setup procedure

How to remove a CD transport screws.

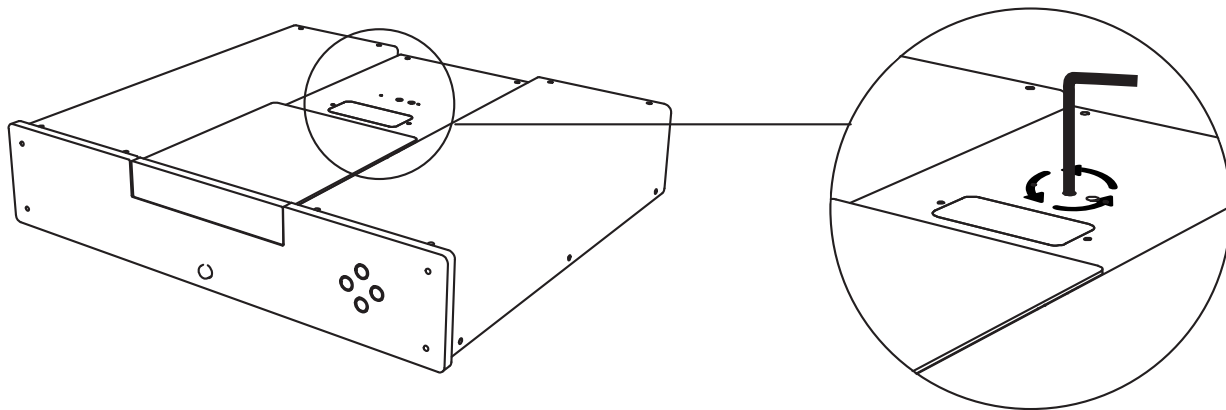
1. Remove the two wing bolts and the wing nut located underneath the unit.



2. Unscrew the Allen screws holding the gold sign marked «Reference CD player » with the smallest Allen key and remove the transport lock bracket.



3. To loosen the transport screw located underneath the golden sign, use the largest Allen key and unscrew counter clockwise for about 10 turns. Do not remove this Allen screw.



4. Put the golden sign back and fasten it with the Allen screws.

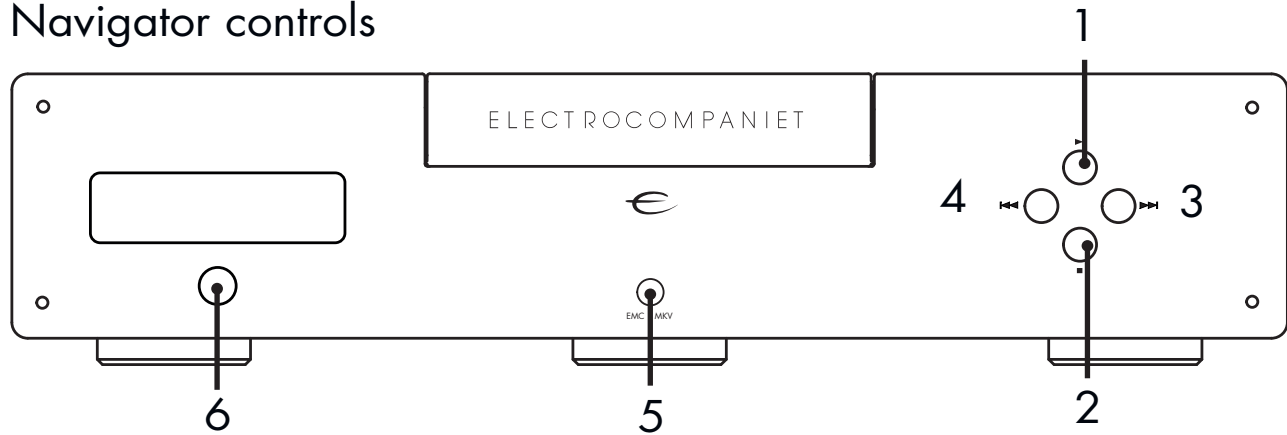
## Important Notice

Keep Allen keys and all transport necessities in a safe place for future use. Always tighten the transport screw on top first, then the wing nut and wing bolts when moving the CD Player. The cancellation system weights close to six kilograms alone. If not securely fastened, the CD player will be severely damaged, resulting in void of warranty. Do not over-tighten the transport screws.





## Navigator controls

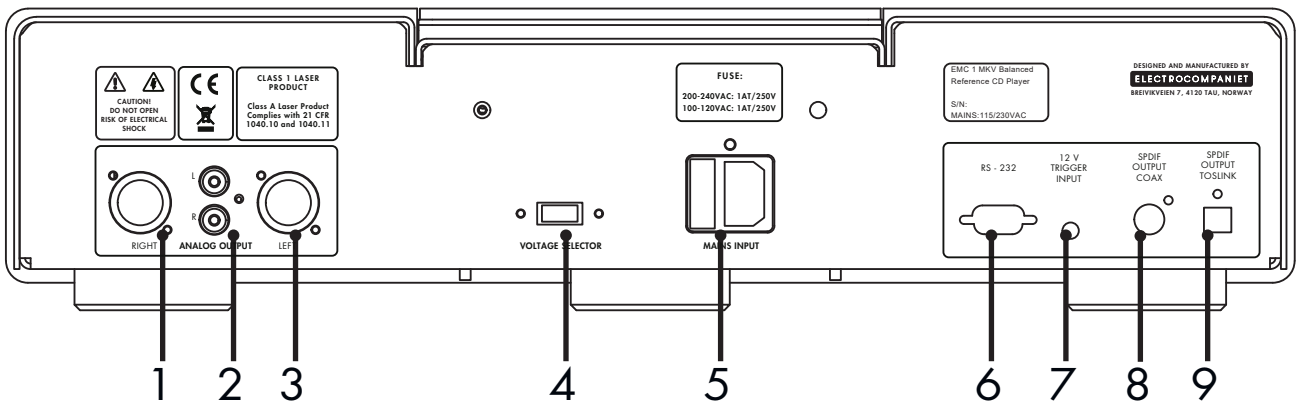


1. **PLAY button**
2. **STOP button**
3. **NEXT TRACK button**
4. **PREVIOUS TRACK buttons**
5. **ON/OFF** - The power button is used for turning ON and OFF the CD player.
6. **INFRARED SENSOR**

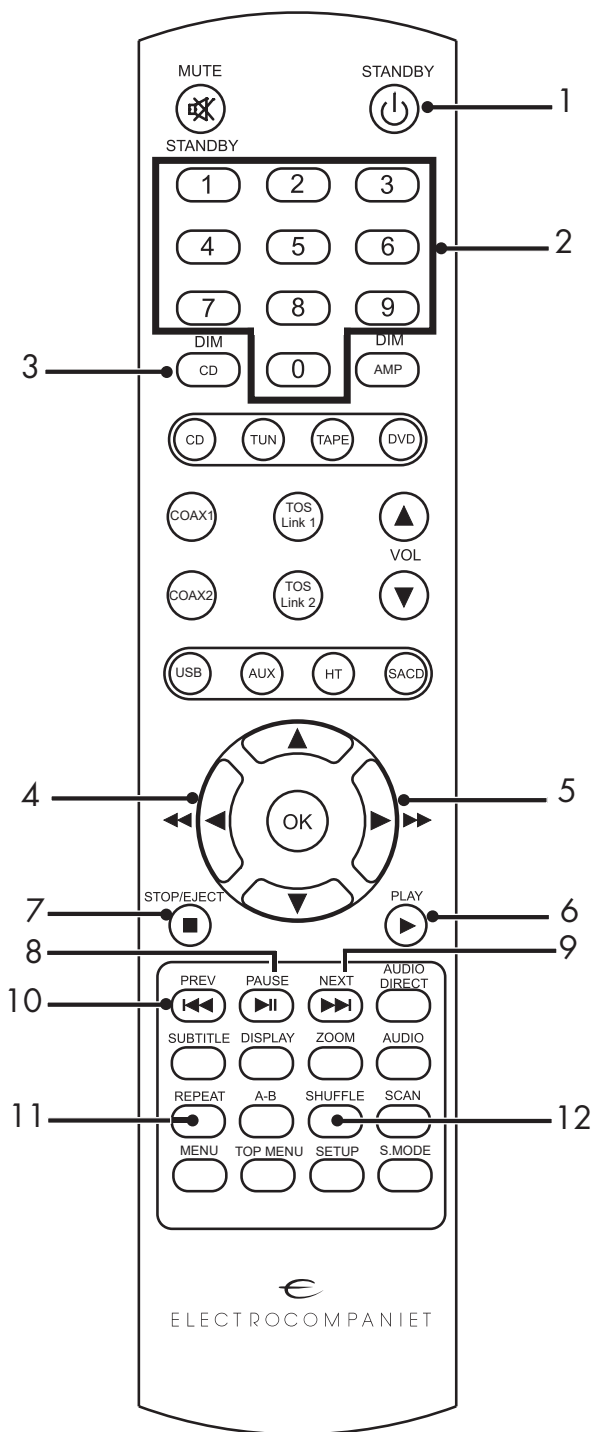
The infrared sensor will detect commands from the included infrared remote control.

Please make sure that there is a direct line of sight between the infrared sensor and the infrared remote control. (See page 6 for more information on using an infrared remote control with your EMC 1 MKV)

## Rear panel connections



Connector	Name	Used for	Connection type/Cable
1	XLR output right	balanced audio connection	XLR / balanced audio cable
2	Coax output L/R	unbalanced audio connection	RCA / unbalanced audio cable
3	XLR output left	balanced audio connection	XLR / balanced audio cable
4	Voltage selector	switch between 110 and 220V	N/A
5	Power / AC Input with Fuse	Input power	Supplied power cable
6	RS-232	home installation / service	
7	Trigger input	12V trigger control input	3,5mm mono mini jack
8	SPDIF	coaxial digital audio output (SPDIF)	RCA / 75-ohm coaxial cable
9	Toslink out	optical digital output	Toslink



## Remote control

1. **Standby** – Standby mode is indicated by glowing e-logo on top of the player.
2. **Numeric controls** – Press these buttons to select a specific track on the disc.  
For tracks 10 and above, the second digit of the number must be pressed within one second
3. **Dim** - dimming the display and E-logo.
4. Long press **Search backwards**
5. Long press **Search forward**
6. **Play**
7. **Stop**
8. **Pause**
9. **Next track**
10. **Previous track**
11. **Repeat** – Press this button once and all the tracks on the disc will be repeated.  
Press the button again, and it will only repeat the current track. Press one more time to cancel repeat mode.
12. **Shuffle** - The tracks will be played in a random order.

## Replacing batteries

Use 2pcs AAA or LR03 batteries.  
Observe correct polarization when inserting batteries. Please remove batteries when the remote is not used for a prolonged period of time.

## Using the remote

When using the remote control, the front end of the remote control should be pointed to the front panel of your EMC 1 MKV. A free line of sight is required between the remote and the infrared sensor on the front panel.



## How to power up your system

You should always power up your system the following way: Signal sources (CD player, tuner etc.) first. Allow a 30 seconds warm-up before you turn on the amplifier(s). When switching off your system: Start with the amplifier(s), then the signal sources.

## Loading a Disc

1. Load the disc by gently pushing the drawer marked: ELECTROCOMPANIET towards the rear of the unit. «Open» is shown on the display.
2. Place the disc on the spindle. Then **place the CD-clamp on the spindle**. The clamp now securely fastens the disc.
3. Pull the cover all the way home. The CD player must first read and load vital information from the disc. This process, indicated by showing "LOADING" on the display and takes approximately three seconds. Tracks and total time are displayed.
4. Press start/play and the first track starts to play.
5. When changing a disc, press the stop button on the front panel or on the remote control before opening the drawer.
6. If the drawer is opened during playback, it will take the disc a few seconds to spin down.
7. Do not touch the disc until it has come to a complete standstill.



### NOTE:

Use analog audio output mode (preferably balanced XLR) for the best audio quality from your player.

## Home installation

The RS-232 control port may be used in home installation setups or general usage for controlling basic functionality on the CD player.

Please refer to document "EMC1MKV RS232 Command Reference V1.pdf" for further information. This document may be downloaded from [www.electrocompaniet.com](http://www.electrocompaniet.com)



## Technical specifications

The following technical data were measured on randomized test objects and are typical data. All measurements are made at 120V / 240V // 50Hz / 60Hz. Mains fuse: 1 AT /250VAC

Output level:.....(unbalanced) 2.3Vrms/(balanced) 4.6Vrms  
Noise floor:..... < -130dB  
Frequency deviation:..... (20-20kHz) 0.05dB  
Channel separation:.....> 110 dB  
THD+N:..... <0.003%  
Digital/analog conversion:.....24 bit/192kHz  
Dynamic range:..... 120 dB  
  
Compatible formats:.....CD, CD-R, D-RW  
Digital outputs:..... SPDIF COAX, SPDIF TOSLINK  
Control inputs:..... RS232, 12V Trigger

## DIMENSIONS

Width .....470 mm / 18.5 inches  
Depth .....422 mm / 16.6 inches  
Height .....118 mm / 4.64 inches  
Weight.....18 kg. / 39.6 lbs

*\*The manufacturer reserves the right to alter these specifications without further notice.*





## If Service is needed

Your dealer will have all relevant information regarding the service centers in your area, and will ensure that your unit is serviced with minimum delay. It is our general policy to have your unit returned to you within five working days. This is an average time and can vary locally, depending on the workload at that particular service station. If, for some reason there are no service facilities available in your country, contact Electrocompaniet support first. If requested to do so by technical personell, please ship the unit to the following address:

EC Living AS,  
Breivikveien 7,  
N-4120 Tau,  
Norway  
Web: [www.electrocompaniet.com](http://www.electrocompaniet.com)

Service department: [support.electrocompaniet.com](mailto:support.electrocompaniet.com)

The end user is responsible for all shipping charges, insurance, re-import and duty charges.

When shipping a product to the factory for service, always include the following:

1. A sales slip or other proof of purchase if repair is claimed under warranty.
2. A proforma invoice with value of goods, stating that the EMC 1 MKV is returned to Norway for repair.
3. An accompanying letter describing faults, symptoms, or problems with the unit.
4. Always ship the unit in its original carton and packaging material to prevent damage in transit.

Electrocompaniet will not cover damages incurred in transit. If you require further information concerning the operation of the unit, or if you have any questions related to service, please do not hesitate to contact your dealer or your national distributor.

## User Manual Updates Online

An updated version of the User Manual may be available online at the Electrocompaniet web site. Occasional updates are needed to reflect new features added to the player since the user manual was printed. As future firmware updates bring in new features and functions, the online version of the user manual will be updated accordingly.



## IR Remote control codes

RC6 codes are denoted as xxx.yyy. xxx is 8 bit adress. yyy is 8 bit command code.  
All numbers in decimal. All RC6 codes are mode 0.

Key label	Code Type	Code Hex
STANDBY	RC6	04.0C
1	RC6	04.01
2	RC6	04.02
3	RC6	04.03
4	RC6	04.04
5	RC6	04.05
6	RC6	04.06
7	RC6	04.07
8	RC6	04.08
9	RC6	04.09
0	RC6	04.00
CD DIM	RC6	04.13
PREV	RC6	04.21
PLAY	RC6	04.2C
STOP	RC6	04.31
NEXT	RC6	04.20
REPEAT	RC6	04.1D
SHUFFLE	RC6	04.1C
PAUSE	RC6	04.30
FAST FORWARD	RC6	04.5B
FAST BACKWARD	RC6	04.5A





ELECTROCOMPANIET  
If music *really* matters™

DEALER  
STICKER  
HERE

LOCAL DEALER

### Warning!

To avoid risk of fire or electric shock, do not expose this appliance to rain or moisture. Verify line voltage before use. Do not remove cover. No user serviceable parts inside. Refer servicing to qualified service personnel. The warranty is void if the product is tampered by non-authorized personnel. Use only authorized Electrocompaniet service center.

REV 1.0 2019

Designed and manufactured in Norway  
[www.electrocompaniet.com](http://www.electrocompaniet.com)