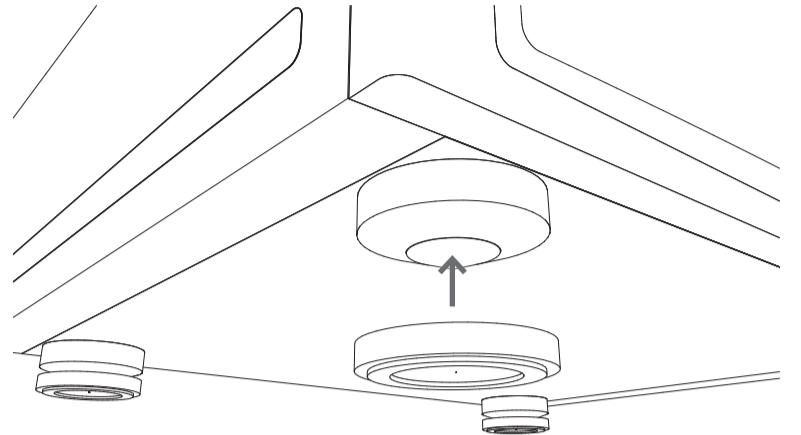
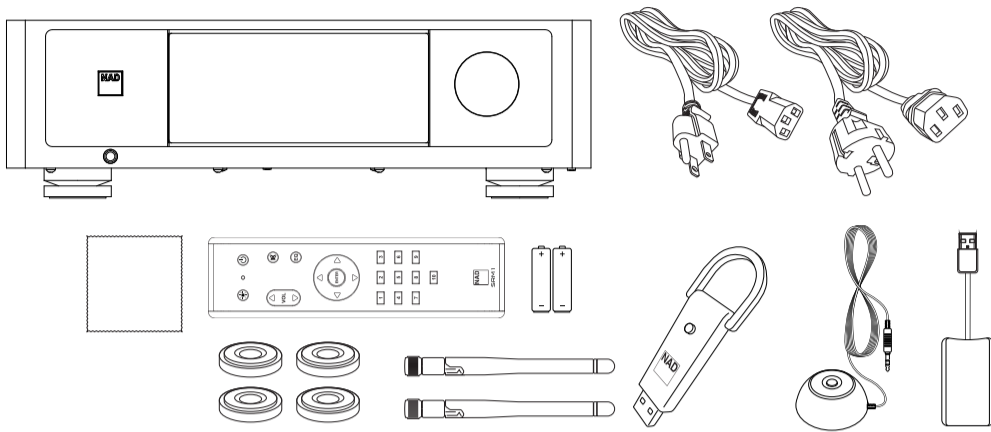


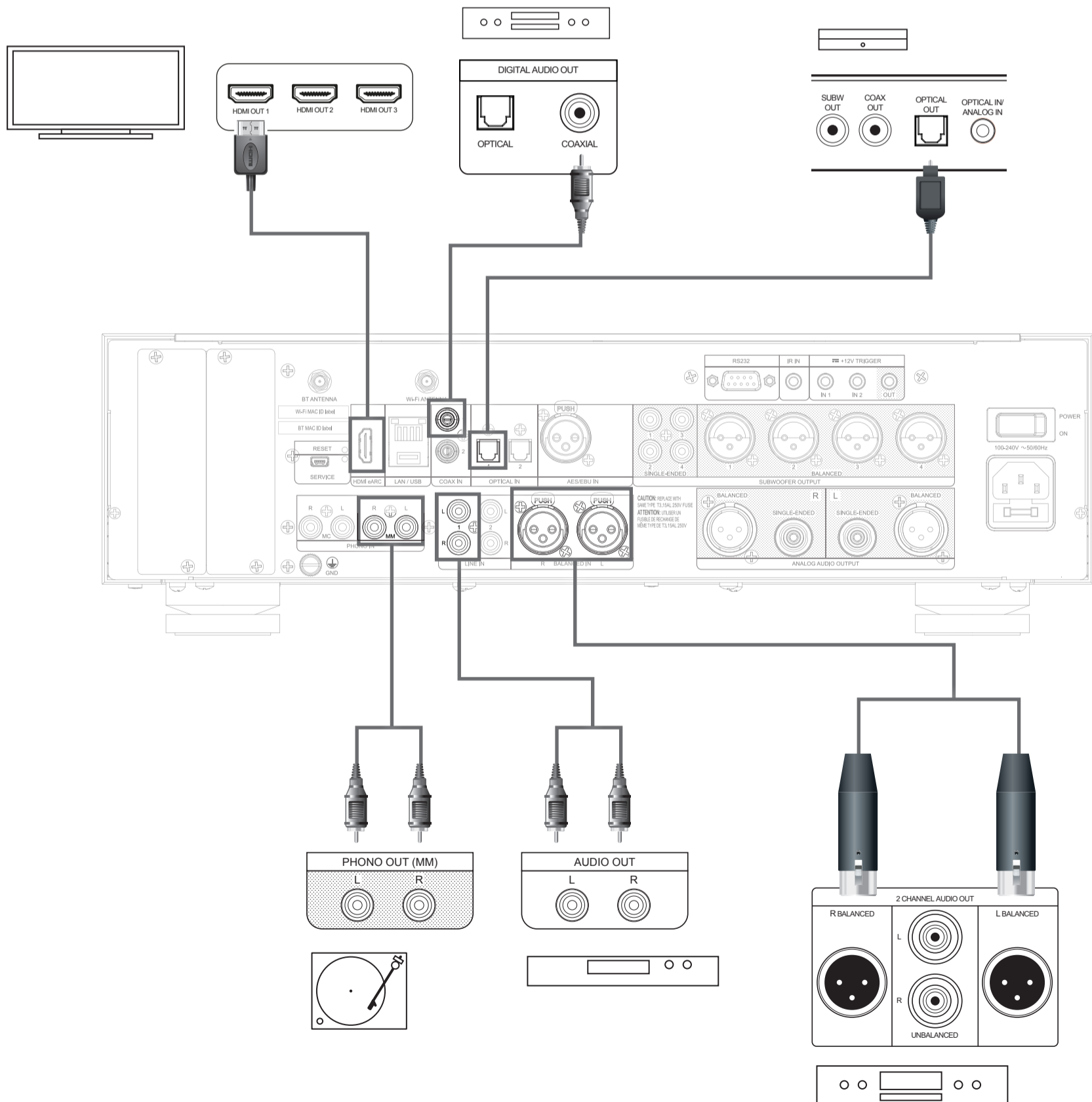
NAD M66 Streaming DAC Preamplifier

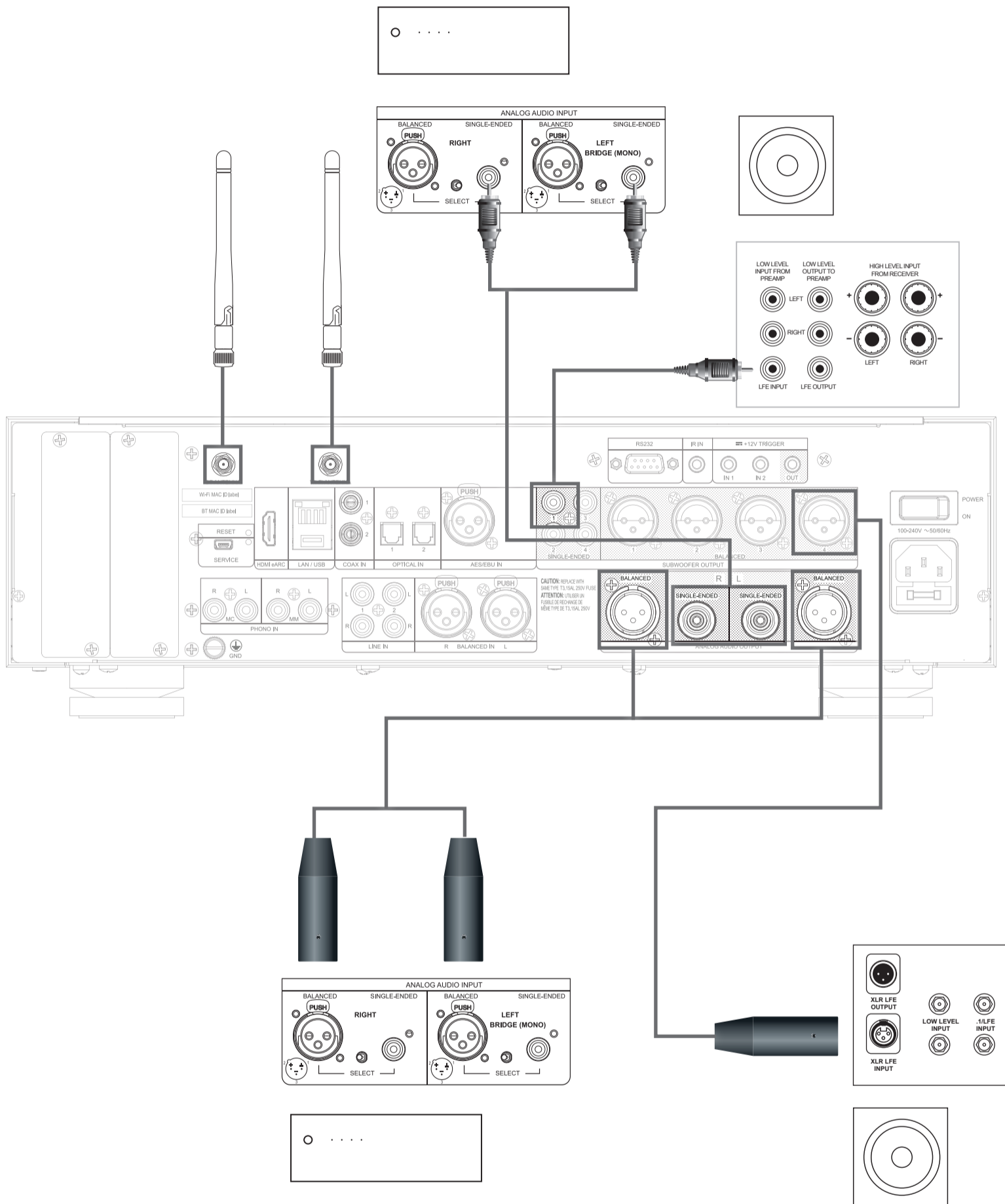
Quick Setup Guide

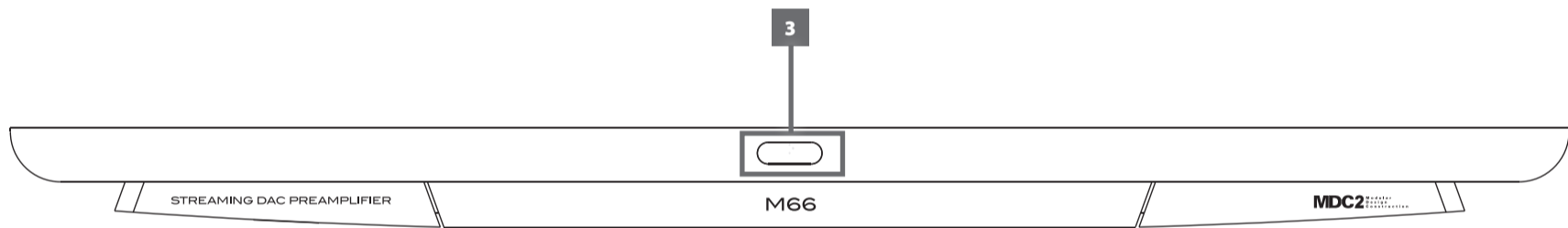
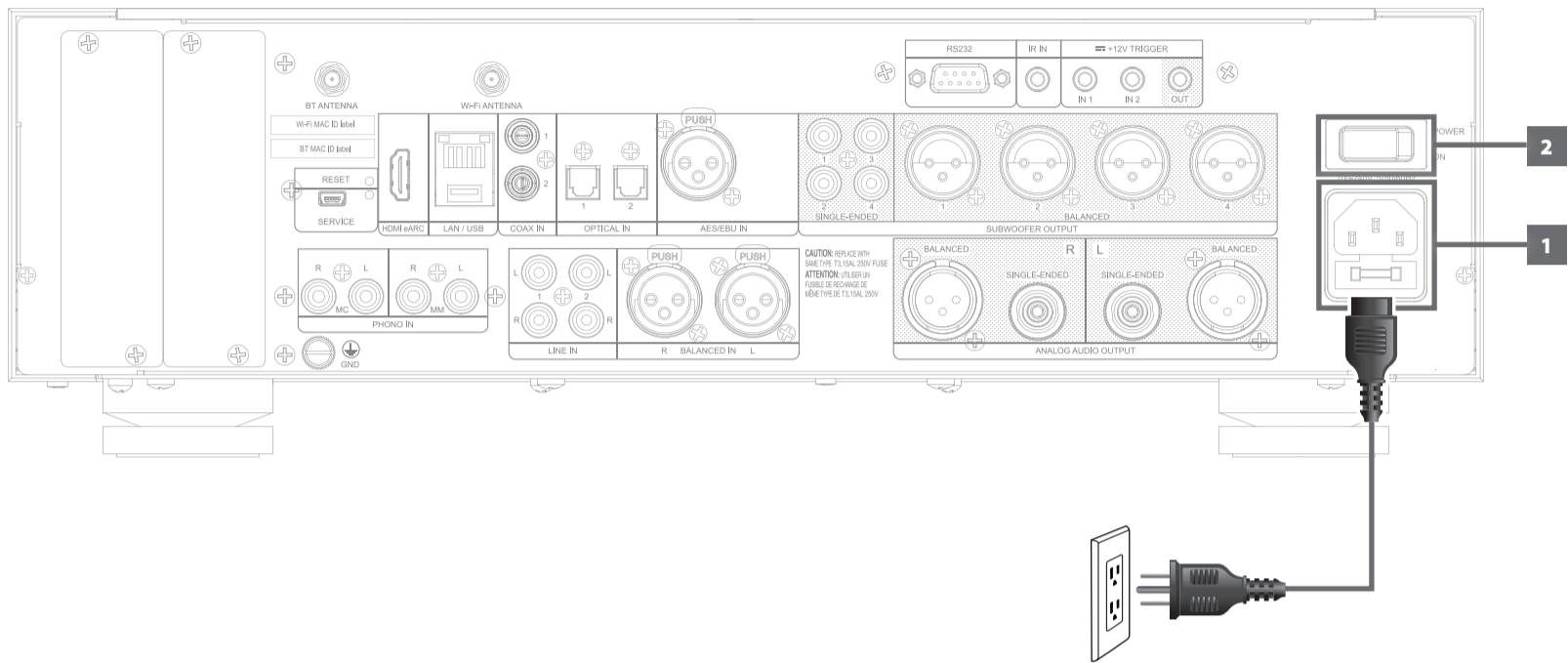
ATTACH



CONNECT







DOWNLOAD



<https://nadelectronics.com/product/m66-bluos-streaming-dac-preamplifier>



<https://support.nadelectronics.com>
<https://www.bluesound.com/downloads>

NETWORK SETUP

Connect your M66 to your home network via **Wired** or **Wireless** connection.

A. WIRED CONNECTION

Using an Ethernet cable (not supplied), connect one end to M66's LAN port and the other end directly to your home network or router.

B. WIRELESS CONNECTION

Connect M66 to your wireless network using any of the following four methods.

- 1 Wireless Accessory Configuration (WAC) using iOS device
- 2 Using iOS device
- 3 Using Android device
- 4 Wireless manual setup

Condition: M66 must be at hot spot mode. M66 default setting is at hot spot mode.

IMPORTANT!

The following procedures and details may change over time without notice. Always check the NAD M66 product page for the latest updates.

1 WIRELESS ACCESSORY CONFIGURATION (WAC) USING iOS DEVICE

Wireless Accessory Configuration (WAC) setup mode is supported by iOS application. At WAC setup mode, network name and password are not required for the M66 to be connected to your network.

- a Select **Settings** menu of your iOS device.
- b Go to **Wi-Fi** and select the network you would like to use with your M66.
- c Under **SETUP NEW AIRPLAY SPEAKER**, select your M66 player indicated by **M66-xxxx** where **xxxx** corresponds to the last 4 digits of the Machine Access Control (MAC) address* of your M66.
- d When **AirPlay Setup** screen comes up, select **Next**. Note that you can also customize the name of your M66 by entering desired name in the line item **Speaker Name**.
- e Airplay Setup will proceed automatically. Follow or monitor screen prompts until **Setup Complete** is shown. Select **Done** to exit setup mode.

2 USING iOS DEVICE

- a Open BluOS App. Select Home icon in the top right corner of the App.
- b Scroll to the bottom and select **ADD A PLAYER** to launch the Easy Setup Wizard.
- c From **My Players** screen prompt, select your M66's unique network ID* under **Needs Setup**.
- d When **AirPlay Setup** screen comes up, select **Next**. Note that you can also customize the name of your M66 by entering desired name in the line item **Speaker Name**.
- e Airplay Setup will proceed automatically. Follow or monitor screen prompts until **Setup Complete** is shown. Select **Done** and then **Finish** to exit setup mode.

3 USING ANDROID DEVICE

- a Open BluOS App. BluOS will look for Players. Available players will appear under **My Players** screen prompt.
 - i. If not prompted, open the Player Drawer by pressing the Home icon in the top right corner of the BluOS App.
 - ii. Scroll to the bottom and select **"ADD A PLAYER"** to launch the Easy Setup Wizard.
- b Select your M66's unique network ID* from the **My Players** window.
 - i. Select your Home Wi-Fi Network from the **Choose WiFi Network** drop down menu.
 - ii. If your Home Wi-Fi Network does not appear or is hidden, select **Manual SSID Entry**.
 - iii. Enter **SSID name**.
 - iv. Select the Network Security your network uses under **Choose Security Method**.
- c Enter your home network's Wi-Fi Password in the field provided and select **Continue**.
- d Select or enter preferred **Name** to customize your M66 for easier identification in the Player Drawer. Select **Continue**.
- e Network setup process proceeds automatically. Follow and complete the prompt messages or instructions.
- f Network setup process is completed when **Setup Complete** is shown in the App. Select **Finish** to exit the setup process.

4 WIRELESS MANUAL SETUP

- a Select your M66's unique network ID* from the Wi-Fi Setup connection settings menu of your tablet, smart phone or computer and join it.
- b "...**Control Panel**" menu window should automatically open. If not, open the web browser of your device and visit <http://10.1.2.3>.
- c Select **Configure WiFi** from the "...**Control Panel**" menu.
- d Select your network or applicable wireless network name (SSID) from the **Configure Wireless** drop down menu.
- e Enter your network's Wireless Password (Passphrase, WEP/WAP key as applicable) in the field **Enter password or key (if protected)**.
- f Select a **Player name** from the drop down list or use the on-screen keyboard to create a customized room name in the field **Custom name**.
- g Select **Update** to save all your settings. A **Congratulations...** screen prompt will appear to indicate that the setup process of your M66 is completed.
- h Do not forget to go back to the Wi-Fi Settings section of your device to confirm that it is reconnected to the correct Wi-Fi network.
- i Your M66 is now connected to your Wi-Fi network and ready to be used with the BluOS App.

* The M66's unique network ID is listed as the product name (i.e., M66) immediately followed by the last four digits in the MAC (Machine Access Control) address (example: M66-ACF7).