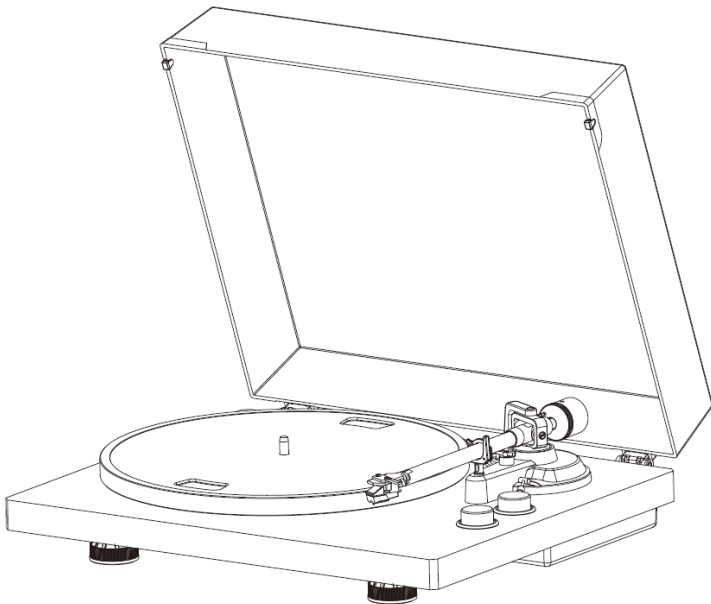


# Lenco

**Model: LBT-188 (V2) / LBT-189 / LBT-288**



**User manual - Turntable with bluetooth transmission**

**Gebruikshandleiding - Platenspeler met Bluetooth-overdracht**

**Bedienungsanleitung - Plattenspieler mit Bluetooth-Übertragung**

**Guide d'utilisation - tourne-disque avec transmission Bluetooth**

**Manual de usuario – Tocadiscos con transmisión Bluetooth**

**Manuale d'uso - Giradischi con trasmissione bluetooth**

Index	
English.....	2
Nederlands.....	23
Deutsch.....	46
Français.....	69
Español.....	93
Italiano.....	116
Русский.....	138

**CAUTION:**

Usage of controls or adjustments or performance of procedures other than those specified herein may result in hazardous radiation exposure.

**PRECAUTIONS BEFORE USE**

---

**KEEP THESE INSTRUCTIONS IN MIND:**

1. Do not cover or block any ventilation openings. When placing the device on a shelf, leave 5 cm (2") free space around the whole device.
2. Install in accordance with the supplied user manual.
3. Keep the device away from heat sources such as radiators, heaters, stoves, candles and other heat-generating products or naked flame. The device can only be used in moderate climates. Extremely cold or warm environments should be avoided. Working temperature between 0° and 35°C.
4. Avoid using the device near strong magnetic fields.
5. Electrostatic discharge can disturb normal usage of this device. If so, simply reset and restart the device following the instruction manual. During file transmission, please handle with care and operate in a static-free environment.
6. Warning! Never insert an object into the product through the vents or openings. High voltage flows through the product and inserting an object can cause electric shock and/or short circuit internal parts. For the same reason, do not spill water or liquid on the product.
7. Do not use in wet or moist areas such as bathrooms, steamy kitchens or near swimming pools.
8. The device shall not be exposed to dripping or splashing and make sure that no objects filled with liquids, such as vases, are placed on or near the apparatus.
9. Do not use this device when condensation may occur. When the unit is used in a warm wet room with damp, water droplets or condensation may occur inside the unit and the unit may not function properly; let the unit stand in power OFF for 1 or 2 hours before turning on the power: the unit should be dry before getting any power.

10. Although this device is manufactured with the utmost care and checked several times before leaving the factory, it is still possible that problems may occur, as with all electrical appliances. If you notice smoke, an excessive build-up of heat or any other unexpected phenomena, you should disconnect the plug from the main power socket immediately.
11. This device must operate on a power source as specified on the specification label. If you are not sure of the type of power supply used in your home, consult your dealer or local power company.
12. Keep away from animals. Some animals enjoy biting on power cords.
13. To clean the device, use a soft dry cloth. Do not use solvents or petrol based fluids.  
To remove severe stains, you may use a damp cloth with dilute detergent.
14. The supplier is not responsible for damage or lost data caused by malfunction, misuse, modification of the device or battery replacement.
15. Do not interrupt the connection when the device is formatting or transferring files. Otherwise, data may be corrupted or lost.
16. If the unit has USB playback function, the USB memory stick should be plugged into the unit directly. Don't use an USB extension cable because it can cause interference resulting in failing of data.
17. The rating label has been marked on the bottom or back panel of the device.
18. This device is not intended for use by people (including children) with physical, sensory or mental disabilities, or a lack of experience and knowledge, unless they're under supervision or have received instructions about the correct use of the device by the person who is responsible for their safety.
19. This product is intended for non professional use only and not for commercial or industrial use.
20. Make sure the unit is adjusted to a stable position. Damage caused by using this product in an unstable position vibrations or shocks or by failure to follow any other warning or precaution contained within this user manual will not be covered by warranty.
21. Never remove the casing of this device.
22. Never place this device on other electrical equipment.
23. Do not allow children access to plastic bags.
24. Only use attachments/accessories specified by the manufacturer.

25. Refer all servicing to qualified service personnel. Servicing is required when the device has been damaged in any way, such as the power supply cord or the plug, when liquid has been spilled or objects have fallen into the device, when the device has been exposed to rain or moisture, does not operate normally, or has been dropped.
26. Long exposure to loud sounds from personal music players may lead to temporary or permanent hearing loss.
27. If the product is delivered with power cable or AC power adaptor:
  - If any trouble occur, disconnect the AC power cord and refer servicing to qualified personnel.
  - Don't step on or pinch the power adaptor. Be very careful, particularly near the plugs and the cable's exit point. Do not place heavy items on the power adaptor, which may damage it. Keep the entire device out of children's reach! When playing with the power cable, they can seriously injure themselves.
  - Unplug this device during lightning storms or when unused for a long period.
  - The socket outlet must be installed near the equipment and must be easily accessible.
  - Do not overload ac outlets or extension cords. Overloading can cause fire or electric shock.
  - Devices with class 1 construction should be connected to a main socket outlet with a protective earthed connection.
  - Devices with class 2 construction do not require a earthed connection.
  - Always hold the plug when pulling it out of the main supply socket. Do not pull the power cord. This can cause a short circuit.
  - Do not use a damaged power cord or plug or a loose outlet. Doing so may result in fire or electric shock.
28. If the product contains or is delivered with a remote control containing coin/cell batteries:  
Warning:
  - "Do not ingest battery, Chemical Burn Hazard" or equivalent working.
  - [The remote control supplied with] This product contains a coin/button cell battery. If the battery is swallowed, it can cause severe internal burns in just 2 hours and can lead to death.
  - Keep new and used batteries away from children.

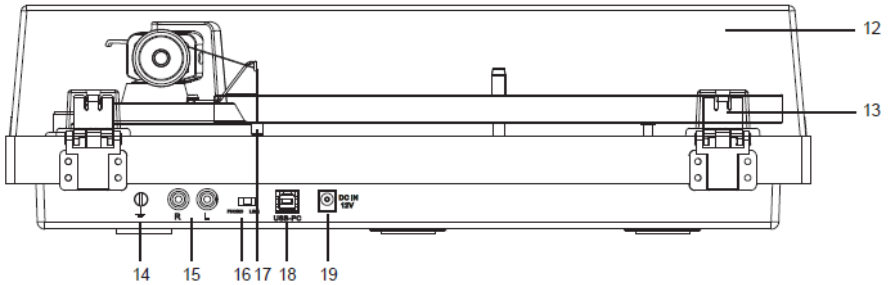
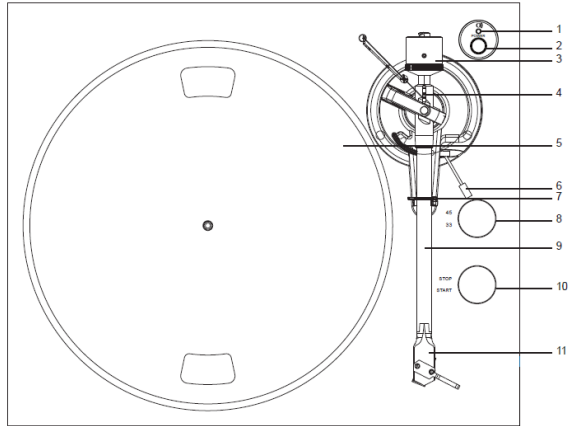
- If the battery compartment does not close securely, stop using the product and keep it away from children.
  - If you think batteries might have been swallowed or placed inside any part of the body, seek immediate medical attention.
29. Caution about the use of Batteries:
- Danger of explosion if battery is incorrectly replaced. Replace only with the same or equivalent type.
  - Battery cannot be subjected to high or low extreme temperatures, low air pressure at high altitude during use, storage or transportation.
  - Replacement of a battery with an incorrect type that can result in an explosion or the leakage of flammable liquid or gas.
  - Disposal of a battery into fire or a hot oven, or mechanically crushing or cutting of a battery, that can result in an explosion.
  - Leaving a battery in an extremely high temperature surrounding environment that can result in an explosion or that leakage of flammable liquid or gas.
  - A battery subjected to extremely low air pressure that may result in an explosion or the leakage of flammable liquid or gas.
  - Attention should be drawn to the environmental aspects of battery disposal.

## **INSTALLATION**

- Unpack all parts and remove protective material.
- Do not connect the unit to the mains before checking the mains voltage and before all other connections have been made.

## COMPONENTS, FEATURES AND CONNECTIONS

1. Power & Bluetooth indicator
2. Power button
3. Counterweight
4. Anti-skating Stub
5. Turntable Platter
6. Tonearm lift lever
7. Tonearm rest
8. 33/45 selector
9. Tonearm
10. Stop/Start knob
11. Cartridge



- |                             |                         |
|-----------------------------|-------------------------|
| 12. Lid                     | 17. Anti-skating Weight |
| 13. Lid Hinge               | 18. USB-PC port         |
| 14. Ground Connector        | 19. AC-DC Power Jack    |
| 15. PHONO & Line Out Jacks  |                         |
| 16. PHONO & Line Out Switch |                         |

Please check thoroughly and make sure you find the following items that come along with this package:

- |                                |                                   |
|--------------------------------|-----------------------------------|
| 1) Unit                        | 7) Instruction Manual             |
| 2) Adaptor with EU-UK plug-end | 8) Cartridge Alignment Protractor |
| 3) Counterweight               | 9) USB-PC Cable                   |
| 4) Platter with Belt           | 10) 2pcs lid spare rubber         |
| 5) 45 RPM Adaptor              | 11) Anti-skating Weight           |
| 6) Turntable mat               | 12) Line out cable                |

This turntable is supplied with a factory fitted and adjusted cartridge.

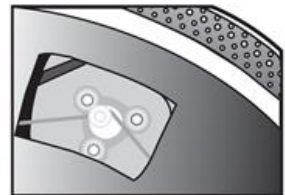
\*\*The following instructions for adjusting the cartridge are provided in case the cartridge is replaced by a different model at a later date.

### Installing the Lid

Install the **Lid** carefully over the hinge prongs.

### Turntable Platter and Belt Setup

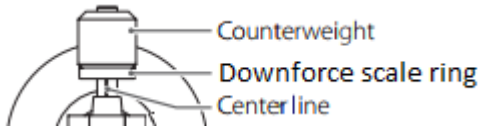
1. Install the drive belt over the inner ring under the platter and make sure it won't fall off during the setup.
2. Place the platter through the turntable spindle, then rotate the platter until you see the drive motor pulley through the window at the top left corner.
3. Carefully grab the drive belt and put it around the slot of motor pulley.
4. Connect the power adapter to the turntable and power on the turntable.
5. Set the Motor Start/Stop switch to the Start position to see if the platter





motor spins. If the platter does not spin, try the steps listed above again.

## Cartridge Down force Adjustment



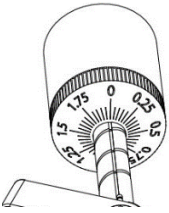
The **Counterweight** supplied is suitable for cartridges weighing between 3.0-6.0g.

- Gently push and turn the Counterweight onto the rear of the tonearm (with the scale facing toward the front of the turntable).
- Remove the cartridge protection cap.
- Lower the tonearm lift and position the cartridge in the space between tonearm rest and platter.

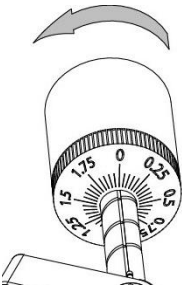
Carefully rotate the **Counterweight** until the tonearm balances out. The tonearm should return to the balanced position if it is moved up or down. This adjustment must be done carefully.



- Once the tonearm is correctly balanced return it to its' rest. Hold the **Counterweight** without moving it, and gently rotate the **Down force Scale** ring until the zero is in line with black line on the rear of the **tonearm**. Check whether the arm still balances out.



- Rotate the counterweight counter clockwise (seen from the front) to adjust the down force according to the cartridge manufacturer's recommendations. One mark on the scale represents 0.05g of down force.

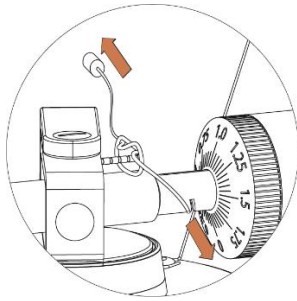


**NOTE:** The recommended down force for the factory fitted cartridge is  $3.0 \pm 0.5g$ .

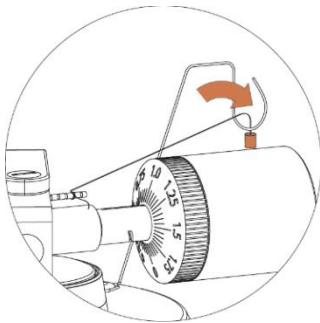
### **Locate the anti-skating weight**

You will find a anti-skating weight with small fishing line from the package, please follow below steps to locate the anti-skating weight:

1. Slip the looped end of the fishing line over the anti-skating weight adjustment stub and into Groove 3<sup>rd</sup> (the correct anti-skating force for the factory-fitted cartridge).



2. Pull the anti-skating weight slightly to let the tie of the fishing line move to the stub.
3. Lift the anti-skating weight over the anti-skating weight wire support. The anti-skating weight should now be dangling in free space to the left of support.



Slip the loop of the anti-skating weight's thread over the **3rd** groove of the stub to set the correct anti-skating force for the factory-fitted cartridge. Feed the thread through the loop of the wire support.

### Anti-skating force adjustment

The anti-skating force must be adjusted corresponding to the down force as follows:

#### Down force

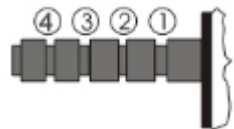
2 - 2.5g

2.5 - 3g

#### Groove in the stub

1 st from bearing rings

2 nd " " "



3 - 3.5g

3<sup>rd</sup> " " "

3.5 - 4g

4<sup>th</sup> " " "

Slip the loop of the anti-skating weight's thread over the **3rd** groove of the stub to set the correct anti-skating force for the factory-fitted cartridge. Feed the thread through the loop of the wire support.

## **Stereo System connection**

### **RCA Jacks**

- The RCA Jacks of this unit are shared as both the Phone output jacks and the Line output jacks. They are determined by the Phono/Line Switch.
- When used as a line output, the jacks output analog line-level signals and could be connected directly with a pair of active speakers or the appropriate input of your stereo system. When used as a Phono output, they should be connected to the phono pre-amplifier or the phono input of the stereo system.
- The Red plug connects with the Right channel and the White plug connects with the Left channel.

### **Note:**

- If the Phono/Line switch is set at LINE position but RCA jacks connected to the stereo system's phono input, the sound might be distorted due to input overload and could damage your stereo system.
- If the Phono/Line switch is set at PHONO position but RCA jacks connected to the stereo system's line input, the volume will be very low due to lacking signal pre-amplification.

RCA Jack is not designed to be connected directly to the passive/unpowered speakers and if it does, the volume will be very low.

## Main Power Connection

The power adaptor is in the foam packing material. Unpack the power adaptor and plug the small end into the **DC power jack** located at the back side of the turntable. Plug the power adaptor into your power outlet.

## Operation

### Turntable Operation

1. Connect the included power adapter to unit and Press the power button (2) to power ON the turntable.
2. Remove the needle cover from the cartridge.
3. Place the slipmat on the platter and place a record on the slipmat. If using 45 RPM records, put the 45 RPM adapter on the center spindle before placing the record on the platter.
4. Set the 33/45 RPM Selector according to the type of record.
5. Turn the Start/Stop dial to the Start position to begin spinning the platter.
6. Unlock the arm clip and set the Lift Lever to the up position.
7. Position the tonearm over the desired location (groove) on the record.
8. Move the tonearm lift lever to the down position to move the tonearm toward the record. Alternatively, place the needle over the desired location on the record.
9. Carefully lower the tonearm on the record.
10. When you are finished playing the record, raise the tonearm, return it to rest on the arm clip, and turn the Start/Stop dial to the Stop.
11. Press the power button to turn off the power.

### Bluetooth Operation

This unit has a Bluetooth transmitter to send the sound to a Bluetooth speaker or headphone wirelessly.

1. Power on your Bluetooth speaker and ensure it is in pairing mode.
2. Power ON the turntable with the power button (2). The LED indicator (1) will

first light to RED and then will flash in blue during Bluetooth searching of the external speaker or headphone.

Note: if you want to disable the Bluetooth searching function you can press the Power button for 3 seconds, then the Led light indicator will light to RED.

3. When pairing, the Blue LED light will flash twice per second, then change to be long Lighting Blue when paired;

*Note:* This unit will connect to the closest Bluetooth. If after 2 minutes no Bluetooth speaker can be found to pair with, the Bluetooth transmitter will become inactive and the LED color will turn to red.

4. To disconnect pairing, long press power button for 3 seconds or turn off Bluetooth pairing on your External Bluetooth speaker or headphone..

*“This product has a bluetooth **transmission** function, **you can not receive any bluetooth sound on it**: this means that you can transmit wirelessly a bluetooth sound signal to an external device like a bluetooth speaker, bluetooth headphone, audio system with bluetooth reception,...”*

## **Audacity software overview**

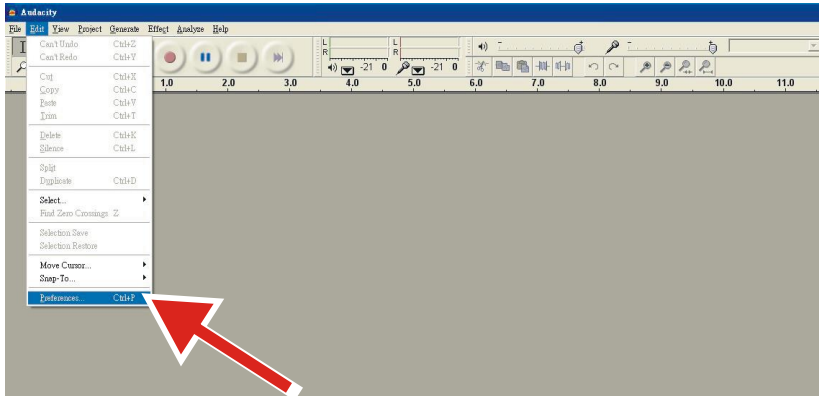
Audacity is free software, licensed under the GNU General Public License (GPL). More information as well as open source code can be found on the web at <https://www.audacityteam.org/download/>

**\* Please ensure you have installed the software before starting.**

### **Setting up your PC to work with Audacity**

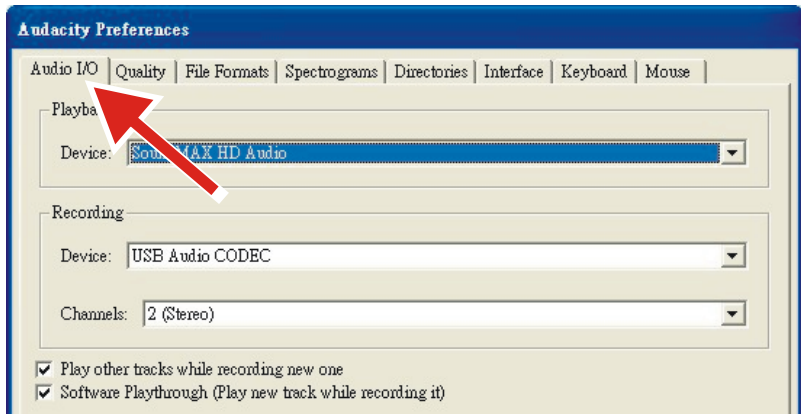
1. Connect an input source to the unit.
2. Connect the USB lead to your computer.
3. Install the Audacity recording software.
4. Open the Audacity program.

5. Select Preference from the Edit tab in the Audacity Menu.



6. Select **Audio I/O** tab at the top left.

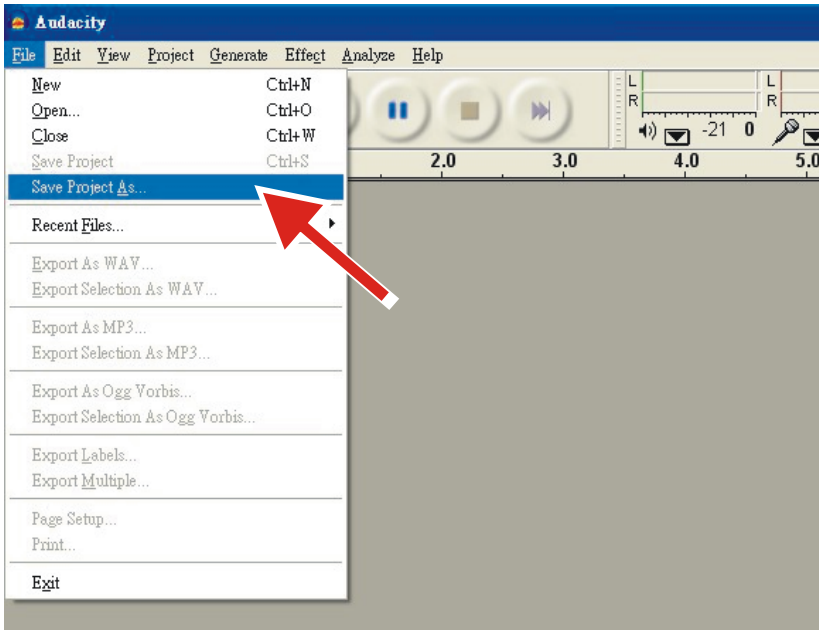
- Under Playback, Device, select **your internal sound card**.
- Under Recording, Device, select **USB Audio CODEC**.
- Under Recording, Channels, select **2 (Stereo)**.
- Check the box marked **Play other tracks while recording new one**.
- Check the box marked **Software Playthrough**.



## Recording Albums with Audacity

## 1. Saving a project

- Audacity writes all the changed and recorded audio to a directory called **Projectname\_data**, which is located right where you saved the project file itself.
- Thus, select **Save Project as** from your Audacity File tab and choose a location and filename for your project.
- Please note that when you startup Audacity fresh, only the “**Save As...**” menu option is available.



## 2. How to record

- Set your USB turntable up to play the song or album you want to record.

- Click on the red Record button to begin recording.





- Lower tone arm on USB turntable onto album and track you want to record.

- Click on the blue Pause button to pause the recording. Press it again to

continue.



- Click on the yellow Stop button.



That's it. You can now play around with your recording and explore the editing capabilities of Audacity. Remember that you can use the Undo function almost without limits while the project is open.

**NOTE:** CD's cannot be burned directly from the Audacity application. Other CD burning applications should be used.

## Maintenance and Cleaning

Your turntable requires little of no regular maintenance. Remove dust with a slightly damp antistatic cloth. Never use a dry cloth, this will create static electricity and attract more dust! Antistatic cleaning agents are available at specialist stores, but must be applied sparingly to avoid damage to rubber parts. It is recommended to install the needle cover before cleaning or maintenance is carried out to avoid damage.

If the turntable is not used over a long period of time, the drive belt should be removed to prevent unequal stretching.

**NOTE:** Always disconnect the record player from the power supply as a precaution before maintenance!

## Useful Tips

The turntable should be positioned on a low-resonance surface such as wood or multiple layer ply board to avoid structural vibrations disturbing playback.

## Cartridge Replacement

1. Before replacement, put the stylus protector back on the stylus to prevent damage to the stylus during the replacement process.
2. Carefully remove the wire leads from the original cartridge.
3. Loosen the two screws on the headshell that are securing the cartridge and then remove the original cartridge.
4. Mount the new cartridge to the headshell and tighten it lightly. Do not completely tighten the screws at this moment.
5. Connect the wire leads to the new cartridge's terminals. The wire lead color codes are as below:  
White Left channel positive (L+)  
Black Left channel negative (L-)  
Red Right channel positive (R+)  
Black Right channel negative (R-)
6. Adjust the cartridge's position to make sure it is precisely aligned on the headshell so that the stylus will be tracking the grooves in parallel perfectly.  
To achieve this, place the included paper cartridge alignment protractor over the turntable spindle, carefully lift the tone arm and place the tip of the stylus on the points marked 130mm and 250mm respectively. Fine tune the cartridge's position on the headshell until the cartridge is perfectly in parallel with the reference lines at both points.
7. Tighten the screws completely once the perfect alignment is achieved.

NOTE: If you are unfamiliar or uncomfortable with completing this procedure, we recommend consulting with a professional to perform the installation.

### **Technical Specifications:**

Nominal Speeds	33 1/3 & 45RPM
Speed Variance	±1%
Wow and Flutter	≤0.15%
Signal to Noise	55dB
Down force Range	3.0-6.0g
Effective Tonearm Length	8.6" (218.5mm)
Overhang	0.73in
Power Consumption	5W (Max)
Outboard Power Supply	12V/500mA AC-DC
Dimensions (W x H x D)	420 x 360 x 125mm
Weight	4.8kgs

### **Technical Specifications: AT-3600L (audio-technica)**

Frequency response	20Hz-20kHz
Recommended load resistance	47kohms
Channel balance	<2.5dB
Amplifier connection	MM - input
Channel separation	>18dB
Recommended tracking force	3.0±0.5g
Output voltage	2.5mV
Weight	5g

### **Potential Incorrect Use and Fault Conditions**

These turntables are manufactured to the highest standards and undergo strict quality controls before leaving the factory. Faults that may possibly

occur are not necessarily due to material or production faults but can sometimes be caused by incorrect use or unfortunate circumstances. Therefore the following list of common fault symptoms is included.

**The platter doesn't turn although the unit is switched on:**

- The unit is not connected to the main power supply.
- No power at the outlet.
- Drive belt is not installed or has slipped off.
- The unit automatically switched in standby mode, power ON again.

**No signal through one or other channel or both channels:**

- Phone input not selected at amplifier.
- Amplifier not switched on.
- Amplifier or speakers muted.
- No connection to the speakers.
- No connection between turntable and amplifier.
- Wire leads not connected the cartridge.

**Strong hum on phono input:**

- No ground connection from cartridge, arm, or arm cable to amplifier or ground loop.
- Turntable too close to speakers.

**Distorted or inconsistent sound from one or both channels:**

- Turntable is connected to wrong input of amplifier.
- Needle or cantilever damaged.
- Drive belt overstretched or dirty.
- Platter bearing without oil, dirty or damaged.
- Dust on stylus.
- MM/MC switch on pre-amplifier set incorrectly.

**Remark: Due to the ErP Stage 2 requirements for power saving measures, a unit which is connected to the mains power will switch itself to standby mode automatically if no music has been playing for about 20 minutes.**

**If your unit switches off regularly, this is no defect.**

Power supply adaptor

Manufacturer: BRIGHTPOWER OPTOELECTRONIC TECHNOLOGY CO., LTD

Model number: SW1200500-FM

Input voltage: 100-240V

Input AC frequency: 50/60Hz

Output voltage: DC 12V

Output current: 0.5A

Output Power: 6W

Average active efficiency: 79.62%

Efficiency at low load (10%): 70.40%

No load Power consumption: 0.073W

Use only the power supply listed in the user instructions

## **Guarantee**

Lenco offers service and warranty in accordance with the European law, which means that in case of repairs (both during and after the warranty period) you should contact your local dealer.

Important note: It is not possible to send products that need repairs to Lenco directly.

Important note: If this unit is opened or accessed by a non-official service center in any way, the warranty expires.

This device is not suitable for professional use. In case of professional use, all

warranty obligations of the manufacturer will be voided.

### Disclaimer

Updates to Firmware and/or hardware components are made regularly. Therefore some of the instruction, specifications and pictures in this documentation may differ slightly from your particular situation. All items described in this guide for illustration purposes only and may not apply to particular situation. No legal right or entitlements may be obtained from the description made in this manual.

### Disposal of the Old Device



This symbol indicates that the relevant electrical product or battery should not be disposed of as general household waste in Europe. To ensure the correct waste treatment of the product and battery, please dispose them in accordance to any applicable local laws of requirement for disposal of electrical equipment or batteries. In so doing, you will help to

conserve natural resources and improve standards of environmental protection in treatment and disposal of electrical waste (Waste Electrical and Electronic Equipment Directive).

### DECLARATION OF CONFORMITY

Hereby, Commaxx declares that the radio equipment type [Lenco LBT-188 (V2) / LBT-189 / LBT-288] is in compliance with directive 2014/53/EU. The full text of the EU declaration of conformity is available at the following internet address:

[https://commaxx-certificates.com/doc/lbt-188\\_doc.pdf](https://commaxx-certificates.com/doc/lbt-188_doc.pdf)

Type RF	Frequency range (MHz)	Power (dBm)
Bluetooth	2402-2480	<6

## **Service**

For more information and helpdesk support, please visit [www.lenco.com](http://www.lenco.com)

Commaxx B.V. Wiebachstraat 37, 6466 NG, Kerkrade, The Netherlands.

**LET OP:**

Het gebruik van afstandsbedieningen of aanpassingen of de uitvoering van procedures die niet in dit document zijn gespecificeerd, kan leiden tot gevaarlijke blootstelling aan straling.

**VOORZORGSMAATREGELEN VOOR GEBRUIK**

---

**ONTHOUD DE VOLGENDE INSTRUCTIES:**

1. Bedek of blokkeer de ventilatieopeningen niet. Wanneer u het apparaat op een schap plaatst, dient u 5 cm (2") vrije ruimte rondom het gehele apparaat te behouden.
2. Installeer het product volgens de meegeleverde gebruikershandleiding.
3. Houd het apparaat uit de buurt van hittebronnen, zoals radiatoren, verwarmingen, kachels, kaarsen en andere hittegenererende producten of open vuur. Het apparaat kan alleen worden gebruikt in een gematigd klimaat. Extreem koude of warme omgevingen dienen te worden vermeden. Het bedrijfstemperatuurbereik ligt tussen 0 °C en 35 °C.
4. Gebruik dit apparaat niet in de buurt van krachtige magnetische velden.
5. Elektrostatische ontlading kan normaal gebruik van dit apparaat verstoren. U hoeft het apparaat in dit geval slechts te resetten en opnieuw op te starten volgens de gebruikershandleiding. Wees voorzichtig tijdens bestandsoverdracht en gebruik het product in een omgeving zonder statische interferentie.
6. Waarschuwing! Steek nooit een voorwerp via de ventilatie- of andere openingen in het product. Er is hoogspanning in het product aanwezig en als u er een object insteekt, kan dat een elektrische schok veroorzaken en/of kortsluiting in de interne onderdelen. Mors om dezelfde reden geen water of vloeistof op het product.
7. Gebruik het toestel niet in vochtige ruimtes, zoals badkamers, stomende keukens of in de buurt van zwembaden.
8. Het apparaat mag niet worden blootgesteld aan druppels en spetters en zorg ervoor dat er geen met vloeistof gevulde voorwerpen, zoals vazen, op of in de buurt van het apparaat worden geplaatst.



9. Gebruik dit apparaat niet wanneer condensatie kan optreden. Wanneer het apparaat in een warme, natte ruimte wordt gebruikt, kunnen zich waterdruppels of condens vormen in het apparaat en kan het apparaat niet goed functioneren. Laat het apparaat 1 of 2 uur uit staan voordat u het inschakelt: het apparaat dient droog te zijn voordat deze stroom ontvangt.
10. Alhoewel dit apparaat met grote zorg gefabriceerd en verschillende keren geïnspecteerd is voordat het de fabriek verlaat, is het nog steeds mogelijk dat er problemen optreden, zoals met alle elektrische apparaten. Als u rook, een overmatige hitteontwikkeling of enig ander onverwacht verschijnsel opmerkt, moet u onmiddellijk de stekker van het netsnoer uit het stopcontact halen.
11. Dit apparaat moet worden gebruikt met een voedingsbron zoals gespecificeerd op het specificatielabel. Als u twijfelt over het type voeding dat gebruikt wordt in uw huis, raadpleeg dan uw dealer of plaatselijk energiebedrijf.
12. Buiten bereik van dieren houden. Sommige dieren kauwen graag op voedingskabels.
13. Gebruik een zacht, droog doekje om het apparaat te reinigen. Gebruik geen oplosmiddelen of op benzine gebaseerde vloeistoffen. U kunt een vochtig doekje met verdund schoonmaakmiddel gebruiken om hardnekkige vlekken te verwijderen.
14. De leverancier is niet verantwoordelijk voor schade of verloren gegevens veroorzaakt door storing, misbruik, modificatie van het apparaat of batterijvervangning.
15. Onderbreek nooit de verbinding wanneer het apparaat formatteert of bestanden overdraagt. De gegevens kunnen anders corrupt of verloren raken.
16. Indien het apparaat een USB-afspeelfunctie heeft, moet de USB-geheugenstick rechtstreeks op het apparaat worden aangesloten. Gebruik geen USB-verlengkabel, omdat die kan leiden tot storingen met foutieve gegevens als gevolg.
17. Het classificatielabel bevindt zich op de onderkant of het achterpaneel van het apparaat.
18. Dit hulpmiddel is niet bedoeld voor gebruik door mensen (inclusief kinderen) met een fysieke, zintuiglijke of mentale handicap, of een gebrek aan ervaring en kennis, tenzij zij toezicht of instructies hebben gekregen over het juiste gebruik van het hulpmiddel door een persoon die verantwoordelijk is voor hun veiligheid.

19. Dit product is alleen voor niet-professioneel gebruik bedoeld en niet voor commercieel of industrieel gebruik.
20. Verzeker u ervan dat het apparaat in een stabiele positie staat opgesteld. Schade die wordt veroorzaakt door het gebruik van dit product in een onstabiele positie, trillingen of schokken of het niet opvolgen van de waarschuwingen of voorzorgsmaatregelen in deze gebruikershandleiding wordt niet gedekt door de garantie.
21. Verwijder nooit de behuizing van dit apparaat.
22. Plaats dit apparaat nooit op andere elektrische apparatuur.
23. Geef kinderen geen gelegenheid in aanraking met plastic zakken te komen.
24. Gebruik uitsluitend uitbreidingen/accessoires gespecificeerd door de fabrikant.
25. Laat alle reparaties over aan gekwalificeerd onderhoudspersoneel. Onderhoud is nodig als het apparaat is beschadigd, bijvoorbeeld als de voedingskabel of de stekker is beschadigd, als er vloeistof op het apparaat is gemorst, als er voorwerpen in het apparaat zijn gevallen, als het apparaat is blootgesteld aan regen of vocht, als het apparaat niet normaal werkt of als het is gevallen.
26. Langdurige blootstelling aan harde geluiden van persoonlijke muzikspelers kan leiden tot tijdelijk of permanent gehoorverlies.
27. Als het product wordt geleverd met voedingskabel of wisselstroomvoedingsadapter:
  - Als er zich problemen voordoen, moet u de voedingskabel loskoppelen en het ter onderhoud aanbieden aan gekwalificeerd personeel.
  - Nooit op de voedingsadapter stappen of deze indrukken. Wees zeer voorzichtig, vooral in het gebied rond de stekkers en de kabelaansluitingen. Plaats geen zware voorwerpen op de voedingsadapter, om beschadiging ervan te voorkomen. Houd het gehele apparaat buiten bereik van kinderen! Wanneer kinderen met de voedingskabel spelen, kunnen zij ernstig letsel oplopen.
  - Haal de stekker uit het stopcontact tijdens onweer of wanneer u deze langere tijd niet gebruikt.
  - Het stopcontact moet in de buurt van de apparatuur zijn geïnstalleerd en eenvoudig te bereiken zijn.
  - Laat AC-stopcontacten of verlengsnoeren nooit overbelast raken. Overbelasting kan brand of een elektrische schok veroorzaken.

- Apparaten met een Klasse 1 structuur dienen te worden aangesloten op een stopcontact met een beschermende aardverbinding.
  - Apparaten met een Klasse 2 structuur vereisen geen aardverbinding.
  - Houd altijd de stekker vast wanneer u deze uit het stopcontact trekt. Trek nooit aan de voedingskabel. Dit kan tot een kortsluiting leiden.
  - Gebruik nooit een beschadigde voedingskabel of stekker of een los stopcontact. Dit vormt namelijk een risico op brand of elektrische schokken.
28. Indien het product knoopcelbatterijen bevat of wordt geleverd met een afstandsbediening die knoopcelbatterijen bevat:  
 Waarschuwing:
- “Batterij niet inslikken, chemisch brandgevaar” of gelijkwaardige werking.
  - De meegeleverde afstandsbediening bevat een knoopcelbatterij. Als de batterij wordt ingeslikt, kan deze in slechts 2 uur ernstige interne brandwonden veroorzaken en tot de dood leiden.
  - Houd nieuwe en gebruikte batterijen buiten bereik van kinderen.
  - Als de batterijhouder niet goed kan worden gesloten, dient u het product niet meer te gebruiken en buiten bereik van kinderen te houden.
  - Als u denkt dat batterijen zijn ingeslikt of binnenin een willekeurig lichaamsdeel terecht zijn gekomen, dient u onmiddellijk medische hulp te zoeken.
29. Waarschuwing m.b.t. het gebruik van batterijen:
- Als de batterij onjuist wordt geplaatst, bestaat er explosiegevaar. Vervang de batterij alleen door een zelfde of vergelijkbare soort batterij.
  - Stel de batterij niet bloot aan extreem hoge of lage temperaturen of een lage luchtdruk op grote hoogte tijdens gebruik, opslag of transport.
  - Vervanging van een batterij door een incorrect type kan leiden tot een ontploffing of de lekkage van ontvlambare vloeistoffen of gas.
  - Het weggooien van een batterij in het vuur of een hete oven, of het mechanisch verpletteren of insnijden van een batterij, kan leiden tot een explosie.

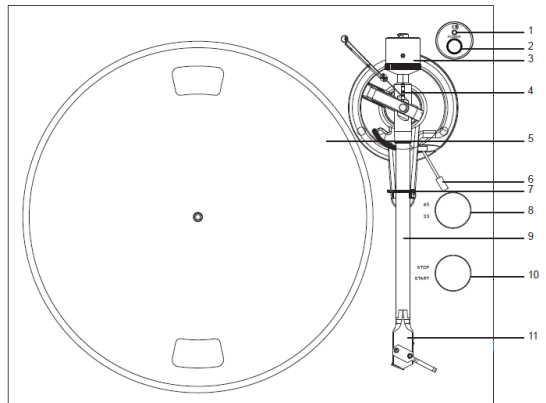
- Het achterlaten van een batterij in een omgeving met extreem hoge temperaturen kan leiden tot een explosie of het lekken van brandbare vloeistof of gas.
- Een batterij die aan een extreem lage luchtdruk wordt blootgesteld, kan leiden tot een explosie of het lekken van brandbare vloeistof of gas.
- Aandacht voor het milieu is nodig bij het verwijderen van de batterijen.

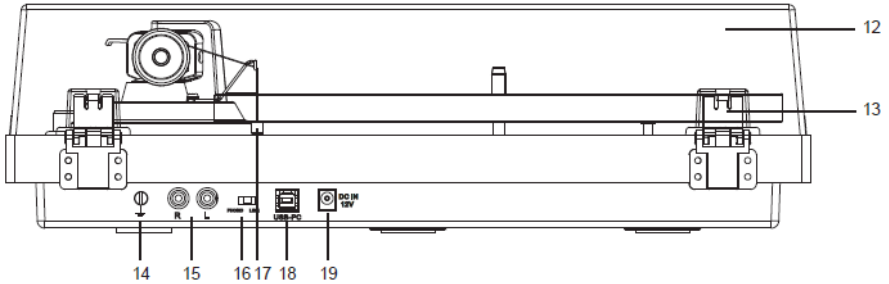
## INSTALLATIE

- Pak alle onderdelen uit en verwijder de beschermende materialen.
- Sluit het apparaat niet aan op het stopcontact, voordat u de netspanning hebt gecontroleerd en voordat alle andere aansluitingen zijn gemaakt.

## ONDERDELEN, EIGENSCHAPPEN EN AANSLUITINGEN

1. Aan/uit- en Bluetooth-indicator
2. Aan-/Uittoets
3. Contragewicht
4. Antiskating-mechanisme
5. Plateau platenspeler
6. Toonarmhendel
7. Toonarmsteun
8. 33/45-keuzeschakelaar
9. Toonarm
10. Stop-/Starttoets
11. Cartucho





- |                                 |                                  |
|---------------------------------|----------------------------------|
| 12. Deksel                      | 16. Schakelaar PHONO en Lijn uit |
| 13. Scharnier van deksel        | 17. Antiskating-gewicht          |
| 14. Aarde-verbinding            | 18. USB-PC-poort                 |
| 15. Uitgangen PHONO en Lijn uit | 19. AC-DC-voedingsingang         |

Controleer a.u.b. zorgvuldig of de volgende onderdelen zijn inbegrepen in de verpakking:

- |   |  |
|---|--|
| 1) Hoofdeenheid                         | 7) Handleiding                                 |
| 2) Adapter met EU-UK<br>stekkeruiteinde | 8) Gradenboog voor uitlijning van<br>cartridge |
| 3) Tegengewicht                         | 9) USB-PC-kabel                                |
| 4) Draaiplateau met riem                | 10) Reserverubber voor deksel 2 stuks          |
| 5) Adapter 45 TPM                       | 11) Antiskating-gewicht                        |
| 6) Mat voor draaiplateau                | 12) Lijningangskabel                           |

Deze platenspeler wordt geleverd met een cartridge dat in de fabriek is bevestigd en afgesteld.

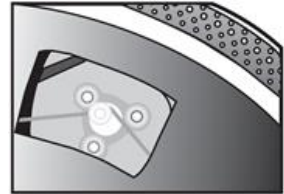
\*\*De volgende instructies voor aanpassing van de cartridge zijn verstrekt voor in het geval dat de cartridge op een later tijdstip wordt vervangen door een ander model.

## Het deksel installeren

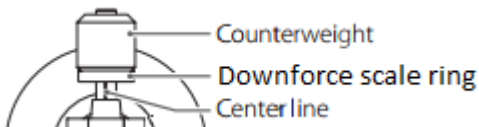
Installeer het **deksel** voorzichtig over de uitsteeksels van de scharnieren.

## Het draaiplateau en de riem instellen

1. Installeer de aandrijfriem over de binnenste ring onder het plateau en zorg ervoor dat deze er tijdens de instelling niet af kan vallen.
2. Plaats het plateau over de as van de platenspeler en draai vervolgens het plateau totdat u de riemschijf van de aandrijfmotor via het venster linksboven in de hoek kunt zien.
3. Pak de aandrijfriem voorzichtig vast en plaats deze rondom de opening van de motorriemschijf.
4. Sluit de voedingsadapter aan op de platenspeler en schakel de platenspeler in.
5. Stel de motorstart-/stopshakelaar in op de stand Start om te zien of de motor van het draaiplateau begint te draaien. Als het plateau niet draait, probeer dan opnieuw de bovengenoemde stappen te volgen.



## De neerwaartse kracht van de Cartridge aanpassen



EN	NL
Counterweight	Tegengewicht
Downforce scale ring	Schaalring neerwaartse kracht
Center line	Middenlijn

Het meegeleverde **tegengewicht** is geschikt voor cartridges die tussen 3,0-6,0g wegen.

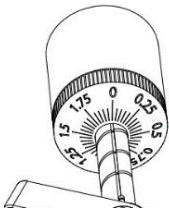
- Druk en draai het tegengewicht voorzichtig op de achterzijde van de toonarm (met de schaal richting de voorzijde van de platenspeler).
- Verwijder de beschermkap van de cartridge.
- Laat de het toonarmhendel zakken en plaats de cartridge in de speling tussen de toonarm en het plateau.

Draai het **tegengewicht** voorzichtig totdat de toonarm uitbalanceert.

De toonarm dient terug te keren naar de gebalanceerde positie als deze omhoog of omlaag wordt bewogen. Deze afstelling moet voorzichtig worden uitgevoerd.

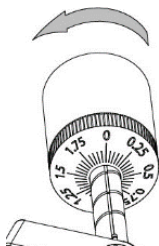


- Nadat de toonarm eenmaal correct is gebalanceerd, plaats deze terug op zijn steun. Houd het **tegengewicht** vast zonder deze te bewegen en draai de **schaalring neerwaartse kracht** voorzichtig tot de nul is afgestemd op de zwarte lijn op de achterzijde van de **toonarm**. Controleer of de arm nog steeds uitbalanceert.



- Draai het tegengewicht linksom (gezien vanaf de voorzijde) om de neerwaartse kracht aan te passen volgens de aanbevelingen van de fabrikant van de cartridge. Eén markering op de schaal vertegenwoordigt

0,05g neerwaartse kracht.



**OPMERKING:** De aanbevolen neerwaartse kracht voor de cartridge bevestigd in de fabriek is  $3,0 \pm 0,5g$ .

### Zoek het antiskating-gewicht

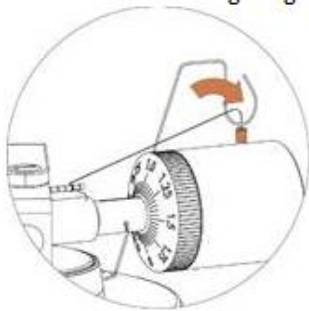
U vindt een antiskating-gewicht met kleine vislijn in de verpakking, volg onderstaande stappen om het antiskating-gewicht te vinden:

1. Schuif het lusvormige uiteinde van de vislijn over de instellingsstomp van de antiskating-gewicht en in Groove 3rd (de juiste antiskating-kracht voor de in de fabriek aangebrachte cartridge).



2. Trek lichtjes aan het antiskating-gewicht om de lus van de vislijn naar de stomp te laten bewegen.
3. Til het antiskating-gewicht over de draadsteun van het antiskating-gewicht. Het antiskating-gewicht zou nu moeten bungelen in de vrije ruimte links van de steun.



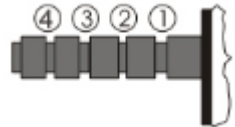


Schuif de lus van de draad van het antiskating-gewicht over de 3e groef van de stomp om de correcte antiskating-kracht in te stellen voor de in de fabriek aangebrachte cartridge. Leid de draad door de lus van de draadsteun.

### De antiskating-kracht aanpassen

De antiskating-kracht moet als volgt worden aangepast in overeenkomst met de neerwaartse kracht:

<u>Neerwaartse kracht</u>	<u>Groef in het mechanisme</u>
2 - 2,5 g	1e vanaf lagerringen
2,5 - 3g	2e " " "
3 - 3,5g	3e " " "
3,5 - 4g	4e " " "



Schuif de lus van de draad van het antiskating-gewicht over de **3e** groef van het mechanisme om de correcte antiskating-kracht in te stellen voor de in de fabriek bevestigde cartridge. Leid de draad door de lus van de draadsteun.

### Een stereosysteem aansluiten

#### RCA-aansluitingen

De RCA-aansluitingen van dit apparaat worden gedeeld als zowel de telefoonuitgang-aansluitingen als de lijnuitgang-aansluitingen. Ze worden bepaald door de schakelaar Phono/Line.

Wanneer gebruikt als lijnuitgang, zenden de aansluitingen analoge lijnsignalen uit en kunnen ze rechtstreeks met een paar actieve luidsprekers of met de juiste ingang van uw stereosysteem worden verbonden. Wanneer gebruikt als Phono-uitgang, moeten ze worden verbonden met de phono-voorversterker of met de phono-ingang van het stereosysteem.

De rode stekker wordt aangesloten op het rechter kanaal en de witte stekker op het linker kanaal.

Opmerking:

Als de schakelaar Phono/Line op LINE staat, maar RCA-aansluitingen zijn aangesloten op de Phono-ingang van het stereosysteem, kan het geluid worden vervormd door overbelasting van de ingang en kan uw stereosysteem worden beschadigd.

Als de schakelaar Phono/Line op PHONO staat, maar RCA-aansluitingen zijn aangesloten op de lijningang van het stereosysteem, is het volume erg laag vanwege een gebrek aan voorversterking van het signaal.

De RCA-aansluiting is niet ontworpen om rechtstreeks met de passieve/niet-gevoede luidsprekers te worden verbonden en als dit het geval is, is het volume erg laag.

### **Netvoedingsaansluiting**

De voedingsadapter zit in het schuimrubberen verpakkingsmateriaal. Pad de voedingsadapter uit en steek het kleine uiteinde in de **DC-voedingsingang** op de achterzijde van de platenspeler. Steek de voedingsadapter in uw stopcontact.

## **Bediening**

### **De platenspeler bedienen**

1. Sluit de meegeleverde voedingsadapter aan op het apparaat en druk op de aan-/uitknop (2) om de platenspeler AAN te zetten.
2. Verwijder de naaldbescherming van de cartridge.
3. Plaats de antislipmat op het plateau en leg een plaat op de antislipmat. Als u 45-toeren platen gebruikt, plaats dan de 45-toeren adapter op de middenas voordat u de plaat op het plateau legt.
4. Stel de 33/45-toerenschakelaar in volgens het type plaat.
5. Draai de Start-/Stopknop naar de stand Start om het plateau te laten draaien.
6. Ontgrendel de armklem en zet de armhendel op de positie Omhoog.
7. Beweeg de toonarm naar de gewenste locatie (groef) boven de plaat.
8. Zet de toonarmhendel in de positie Omlaag om de toonarm op de plaat te laten zakken. U kunt ook de naald over de gewenste locatie op de plaat plaatsen.
9. Laat de toonarm voorzichtig op de plaat zakken.
10. Wanneer u klaar bent met het spelen van de plaat, keer de toonarm dan terug naar de armklem en draai de Start-/Stopknop naar Stop.
11. Druk op de aan-/uitknop om de voeding uit te zetten.

### **Het gebruik van Bluetooth**

Dit apparaat heeft een Bluetooth-zender om het geluid draadloos naar een Bluetooth-luidspreker of hoofdtelefoon te sturen.

1. Schakel uw Bluetooth-luidspreker in en zorg ervoor deze op de koppelmodus te schakelen.
2. Zet de platenspeler AAN met de aan-/uitknop (2). De LED-indicator (1) zal eerst ROOD branden en vervolgens blauw knipperen tijdens het zoeken naar Bluetooth van de externe luidspreker of hoofdtelefoon

Opmerking: als u de Bluetooth-zoekfunctie wilt uitschakelen, dan kunt u de aan-/uitknop 3 seconden ingedrukt houden, vervolgens gaat de led-indicator ROOD branden.

3. Tijdens het koppelen zal het blauwe LED-lampje twee keer per seconde knipperen en vervolgens veranderen in lang brandend blauw wanneer het is gekoppeld;

Opmerking: Dit apparaat maakt verbinding met de dichtstbijzijnde Bluetooth. Als er na 2 minuten geen Bluetooth-luidspreker kan worden gevonden om mee te koppelen, wordt de Bluetooth-zender inactief en brandt de LED rood.

4. Om het koppelen te verbreken, houd de aan-/uitknop 3 seconden lang ingedrukt of schakel de Bluetooth-koppeling op uw externe Bluetooth-luidspreker of -hoofdtelefoon uit.

*“Dit product is voorzien van een Bluetooth-**overdrachtfunctie**, u kunt er geen Bluetooth-audio mee ontvangen: dit betekent dat u draadloos een Bluetooth-audiosignaal kunt sturen naar een extern apparaat zoals een Bluetooth-luidspreker, Bluetooth-hoofdtelefoon, audiosysteem met Bluetooth-ontvangst, ...”*

## Overzicht audacity software

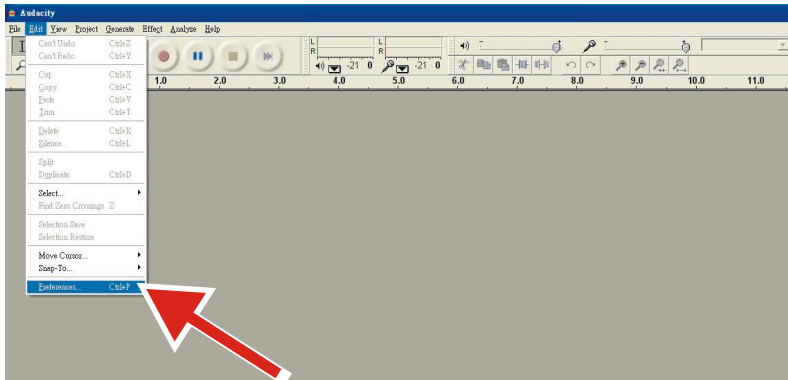
Audacity is gratis software, onder licentie van de GNU Algemene Publieke Licentie (GPL). Meer informatie en tevens open broncodes zijn te vinden op de website <https://www.audacityteam.org/download/>

**\* Zorg er a.u.b. voor dat de software is geïnstalleerd voordat u van start gaat.**

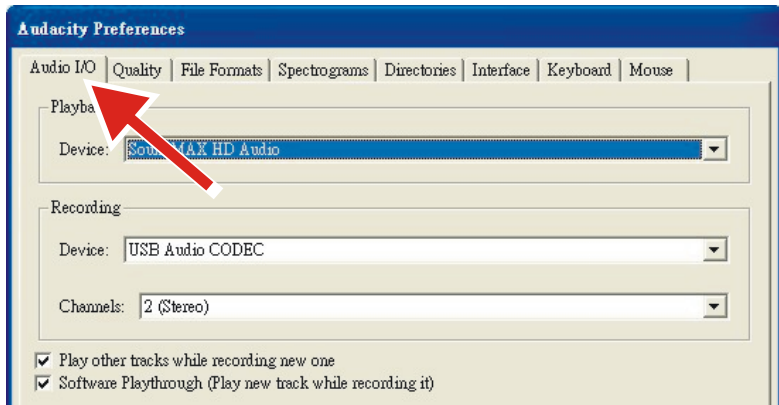
### Uw PC instellen om met Audacity te werken

1. Sluit een ingangsbron aan op het apparaat.

2. Sluit de USB-kabel aan op uw computer.
3. Installeer de Audacity opnamesoftware.
4. Open het Audacity programma.
5. Selecteer “Preference” (Voorkeur) op het tabblad “Edit” (Bewerken) in het Audacity Menu.



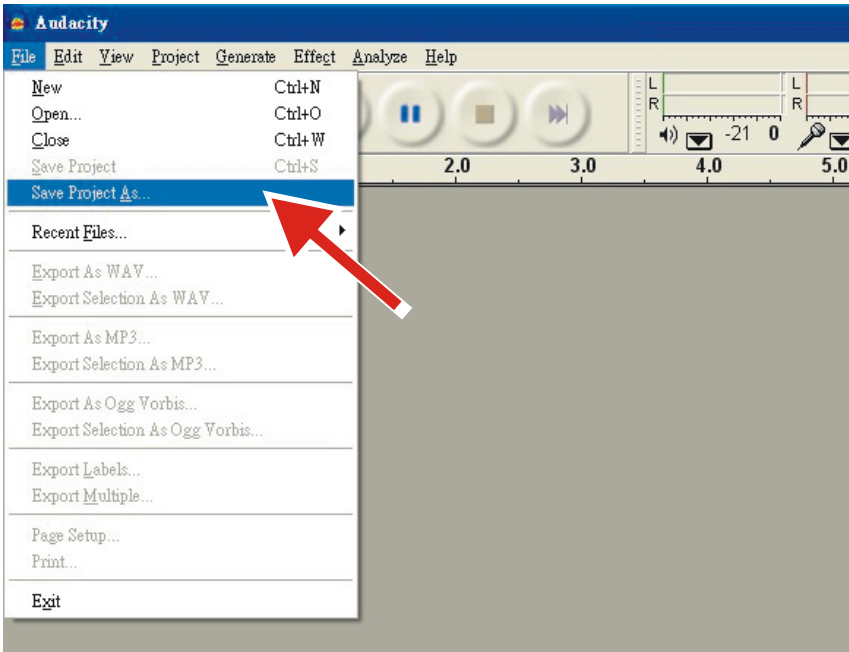
6. Selecteer het tabblad **Audio I/O** linksboven op het scherm.
  - Onder Afspelen, Apparaat, selecteer **uw interne geluidskaat**.
  - Onder Opnemen, Apparaat, selecteer **USB Audio CODEC**.
  - Onder Opname, Kanalen, selecteer **2 (Stereo)**.
  - Vink de box af gemarkeerd **Play other tracks while recording new one** (Andere tracks afspelen terwijl een nieuwe wordt opgenomen).
  - Vink de box af gemarkeerd **Software Playthrough** (Software Afspelen).



## Albums opnemen met Audacity

### 1. Een project opslaan


- Audacity schrijft alle veranderde en opgenomen audio naar een folder met de naam **Projectname\_data**, te vinden rechts van waar u het projectbestand zelf hebt opgeslagen.
- Selecteer dus **Save Project as** (project opslaan als) op het tabblad Audacity Bestand en kies een locatie en bestandsnaam voor uw project.
- Vergeet a.u.b. niet dat als u Audacity opnieuw start, alleen de menuoptie **“Save As...”** (opslaan als) beschikbaar is.




## 2. Opnemen

- Stel uw USB-platenspeler in om de track of het album af te spelen dat u wilt opnemen.



- Druk op de rode Opnametoets  de opname te starten.
- Laat de toonarm op de USB-platenspeler zakken op het album of de track die u wilt opnemen.



- Druk op de blauwe Pauzetoets  om de opname te pauzeren.
- Druk nogmaals in om te vervolgen.



- Klik op de gele Stoptoets.

Dat is alles. U kunt nu aan de slag met uw opname en de bewerktfuncties van Audacity uitproberen. Vergeet niet dat u de functie Ongedaan Maken vrijwel zonder beperkingen kunt gebruiken terwijl het project is geopend.

**OPMERKING:** CD's kunnen niet direct worden gebrand met de Audacity applicatie. Voor het branden van CD's zijn andere applicaties nodig.

**Opmerking:** Raadpleeg de instructies op de CD voor geavanceerde functies.

## Onderhoud en reiniging

Uw platenspeler vereist weinig tot geen regelmatig onderhoud. Verwijder stof met een ietwat vochtig, antistatisch doekje. Gebruik nooit een droge doek, omdat hierdoor statische elektriciteit wordt gecreëerd en meer stof wordt aangetrokken! Antistatische reinigingsmiddelen zijn verkrijgbaar in speciaalzaken, maar moeten spaarzaam worden gebruikt om beschadiging van de rubberen onderdelen te voorkomen. Wij raden u aan de naaldbescherming te installeren voordat u het apparaat reinigt of onderhoudt om schade te voorkomen.

Als u de platenspeler voor langere tijd niet gebruikt, dan dient u de aandrijfriem te verwijderen zodat deze niet ongelijkmatig uitstrekt.

**OPMERKING:** Koppel de platenspeler als voorzorgsmaatregel altijd los van de voeding voordat u deze onderhoudt!

### Bruikbare Tips

De platenspeler dient op een oppervlak met een lage weerklank te worden geplaatst, zoals hout of meerlagig triplex om structurele vibraties te vermijden die het afspelen kunnen verstoren.



## De cartridge vervangen

1. Voordat u de cartridge vervangt, plaats de naaldbescherming terug op de naald om beschadiging van de naald tijdens de vervanging te voorkomen.
2. Verwijder de draden voorzichtig van de originele cartridge.
3. Draai de twee schroeven los op de behuizing die de cartridge vasthouden en verwijder vervolgens de originele cartridge.
4. Monteer de nieuwe cartridge op de behuizing en draai lichtjes vast. Draai de schroeven op dit moment nog niet volledig vast.
5. Sluit de draden aan op de klemmen van de nieuwe cartridge. De draden zijn als volgt op kleur gecodeerd:  
Wit Linker kanaal positief (L+)  
Zwart Linker kanaal negatief (L-)  
Rood Rechter kanaal positief (R+)  
Zwart Rechter kanaal negatief (R-)
6. Pas de positie van de cartridge aan en zorg er hierbij voor dat deze nauwkeurig is uitgelijnd op de behuizing zodat de naald perfect in parallel in de groeven past.  
Plaats de meegeleverde papieren gradenboog hiertoe over de as van de platenspeler, til de toonarm voorzichtig op en plaats de tip van de naald op de punten gemarkeerd 130mm en 250mm. Stem de positie van de cartridge op de behuizing nauwkeurig af totdat de cartridge perfect in parallel zit met de referentielijnen op beide punten.
7. Draai de schroeven volledig vast nadat de naald eenmaal perfect is uitgelijnd.

OPMERKING: Als u moeite hebt met deze procedure, dan raden wij u aan de installatie te laten uitvoeren door een professionele persoon.

### Technische specificaties:

Nominale snelheden	33 1/3 & 45 toeren
Snelheidsvariantie	± 1%
Zweving	≤ 0.15%
Signaal/ruisverhouding	55dB
Bereik neerwaartse kracht	3,0-6,0g
Effectieve toonarm lengte	8,6" (218,5mm)
Overhang	0,73in
Stroomverbruik	5W (Max)
Voeding	12V/500mA AC-DC
Afmetingen (B x H x D)	420 x 360 x 125mm
Gewicht	4,8kg

### Technische specificaties: AT-3600L (audio-technica)

Frequentiebereik	20 Hz - 20 KHz
Aanbevolen belastingsweerstand	47kohm
Kanaalbalans	<2,5dB
Versterkeraansluiting	MM - ingang
Kanaalscheiding	>18dB
Aanbevolen trackingkracht	3,0±0,5g
Uitgangsspanning	2,5mV
Gewicht	5g

### Mogelijk incorrect gebruik en foutcondities

Deze platenspelers zijn gefabriceerd volgens de de hoogste standaarden en ondergaan een strikte kwaliteitscontrole voordat ze de fabriek verlaten. Storingen die mogelijk optreden liggen niet noodzakelijk aan materiaal- of productiefouten, maar kunnen soms worden veroorzaakt door incorrect gebruik of ongelukkige omstandigheden. Daarom verstrekken wij de volgende lijst met de meest voorkomende storingsoorzaken.

**Het plateau draait niet al is het apparaat ingeschakeld:**

- Het apparaat is niet op het lichtnet aangesloten.
- Het stopcontact werkt niet.
- De aandrijfriem is niet geïnstalleerd of is er afgeslipt.
- Het apparaat schakelt automatisch in de stand-bymodus, zet weer AAN.

**Geen signaal uit een van de kanalen of beide kanalen:**

- De phono-ingang is niet geselecteerd op de versterker.
- De versterker is niet ingeschakeld.
- De versterker of luidsprekers zijn gedempt.
- De luidsprekers zijn niet aangesloten.
- Geen aansluiting tussen de platenspeler en versterker.
- De draden zijn niet aangesloten op de cartridge.

**Er klinkt een luid gezoem uit de phono-ingang:**

- Geen aardeverbinding via cartridge, arm of armkabel naar versterker of aardlus.
- De platenspeler staat te dicht bij de luidsprekers.

**Vervormd of inconsistent geluid uit één of beide kanalen:**

- De platenspeler is op de verkeerde ingang van de versterker aangesloten.
- Naald of stabilisator is beschadigd.
- De aandrijfriem is teveel uitgerekt of vuil.
- Lager van draaiplateau zonder olie, vuil of beschadigd.
- Stof op de naald.
- MM/MC-schakelaar op de voorversterker is verkeerd ingesteld.

**Opmerking: Wegens de vereisten van ErP Fase 2 inzake maatregelen voor energiebesparing, zal een apparaat aangesloten op netvoeding**

**zichzelf automatisch op stand-by schakelen wanneer er 20 minuten lang geen muziek wordt afgespeeld.**

**Als uw apparaat regelmatig uitschakelt, dan duidt dit niet op een defect.**

Voedingsadapter

Fabrikant: BRIGHTPOWER OPTOELECTRONIC TECHNOLOGY CO., LTD

Modelnummer: SW1200500-FM

Input voltage: 100-240V

Input AC frequency: 50/60Hz

Output voltage: DC 12V

Output current: 0.5A

Output Power: 6W

Average active efficiency: 79.62%

Efficiency at low load (10%): 70.40%

No load Power consumption: 0.073W

Gebruik uitsluitend de lichtnetdapter die in de gebruiksaanwijzing wordt vermeld

## **Garantie**

Lenco biedt service en garantie aan overeenkomstig met de Europese wetgeving. Dit houdt in dat u, in het geval van reparaties (zowel tijdens als na de garantieperiode), contact moet opnemen met uw lokale handelaar.

**Belangrijke opmerking:** Het is niet mogelijk om producten die moeten worden gerepareerd rechtstreeks naar Lenco te sturen.

**Belangrijke opmerking:** De garantie verloopt als een onofficieel servicecenter het apparaat op wat voor manier dan ook heeft geopend, of er toegang toe heeft gekregen.

Het apparaat is niet geschikt voor professioneel gebruik. In het geval van

professioneel gebruik worden alle garantieverplichtingen van de fabrikant nietig verklaard.

### **Disclaimer**

Er worden regelmatig updates in de firmware en/of hardwarecomponenten gemaakt. Daardoor kunnen gedeelten van de instructie, de specificaties en afbeeldingen in deze documentatie enigszins verschillen van uw eigen situatie. Alle onderwerpen die staan beschreven in deze handleiding zijn bedoeld als illustratie en zijn niet van toepassing op specifieke situaties. Aan de beschrijving in dit document kunnen geen rechten worden ontleend.

### Afvoer van het oude apparaat



Dit symbool geeft aan dat het betreffende elektrische product of de accu/batterij niet mag worden verwijderd als algemeen huishoudelijk afval in Europa. Zorg voor een juiste afvalverwerking door het product en de accu/batterij in overeenstemming met alle van toepassing zijnde lokale wetten voor het verwijderen van elektrische apparatuur of

accu's/batterijen te verwijderen. Als u dit doet, helpt u de natuurlijke hulpbronnen te behouden en de standaard van milieubescherming te verbeteren bij de behandeling en verwijdering van elektrisch afval (Afgedankte Elektrische en Elektronische Apparatuur).

### VERKLARING VAN CONFORMITEIT

Hierbij verklaar ik, Commaxx, dat het type radioapparatuur [Lenco LBT-188 (V2) / LBT-189 / LBT-288] conform is met Richtlijn 2014/53/EU. De volledige tekst van de EU-conformiteitsverklaring kan worden geraadpleegd op het volgende internetadres:

[https://commaxx-certificates.com/doc/lbt-188\\_doc.pdf](https://commaxx-certificates.com/doc/lbt-188_doc.pdf)

Type RF	Frequentiebereik (MHz)	Vermogen (dBm)
Bluetooth	2402-2480	<6

### Service

Bezoek voor meer informatie en helpdeskondersteuning [www.lenco.com](http://www.lenco.com)  
Commaxx B.V. Wiebachstraat 37, 6466 NG, Kerkrade, Nederland.

**ACHTUNG:**

Eine andere als die hier beschriebene Bedienung, Einstellung oder Verwendung der Funktionen kann zu gefährlicher Strahlenbelastung führen.

**VORSICHTSMASSNAHMEN VOR DER BENUTZUNG**

---

**BEFOLGEN SIE IMMER FOLGENDE ANWEISUNGEN:**

1. Blockieren oder bedecken Sie keine Lüftungsöffnungen. Wenn Sie das Gerät auf ein Regal stellen, lassen Sie um das gesamte Gerät 5 cm (2") freien Platz.
2. Stellen Sie das Gerät entsprechend den Anweisungen der mitgelieferten Bedienungsanleitung auf.
3. Halten Sie das Gerät von Hitzequellen wie Radiatoren, Heizern, Öfen, Kerzen oder anderen hitzeerzeugenden Produkten oder offenen Flammen fern. Das Gerät darf nur bei gemäßigtem Klima verwendet werden. Sehr kalte oder heiße Umgebungen sind zu vermeiden. Der Betriebstemperaturbereich liegt zwischen 0 °C und 35 °C.
4. Meiden Sie bei der Nutzung des Produkts die Nähe starker Magnetfelder.
5. Elektrostatische Entladungen können die normale Verwendung von diesem Gerät stören. Sollte dies geschehen, führen Sie einfach einen Reset aus und starten Sie dann das Gerät entsprechend den Anweisungen dieser Bedienungsanleitung neu. Gehen Sie besonders bei Datenübertragungen mit dem Gerät vorsichtig um und führen Sie diese nur in einer antielektrischen Umgebung aus.
6. Warnung! Niemals Gegenstände durch die Lüftungsschlitze oder Öffnungen in das Gerät stecken. In diesem Gerät fließt Hochspannung und das Hineinstecken von Gegenständen kann zu elektrischem Schock und/oder Kurzschluss interner elektrischer Bauteile führen. Aus dem gleichen Grund kein Wasser oder Flüssigkeiten in das Gerät geben.
7. Benutzen Sie das Gerät nicht in nasser oder feuchter Umgebung wie Bad, Dampfküche oder in der Nähe von Schwimmbecken.
8. Das Gerät darf weder Tropf- noch Spritzwasser ausgesetzt werden und es dürfen keine mit Flüssigkeit gefüllten Behälter wie z.B. Vasen auf das Gerät oder in der Nähe des Gerätes gestellt werden.

9. Benutzen Sie das Gerät nicht bei Kondensationsgefahr. Wenn Sie das Gerät in einem warmen feuchten Raum benutzen, dann können sich im Inneren des Geräts Wassertropfen oder Kondensationen bilden und zu Fehlfunktionen des Geräts führen. Schalten Sie in diesem Fall das Gerät für 1 – 2 Stunden aus, bevor Sie es erneut einschalten: Das Gerät sollte vollständig getrocknet sein, wenn Sie es wieder einschalten.
10. Obwohl dieses Gerät unter größter Sorgfalt und vor Auslieferung mehrmals überprüft wurde, können trotzdem wie bei jedem anderen elektrischen Gerät auch Probleme auftauchen. Trennen Sie das Gerät im Falle einer Rauchentwicklung, starker Hitzeentwicklung oder jeden anderen unnatürlichen Erscheinung sofort vom Netz.
11. Dieses Gerät ist durch eine Stromquelle wie auf dem Typenschild angegeben zu betreiben. Halten Sie bei Unsicherheiten über die Art Ihrer Stromversorgung in Ihrer Wohnung Rücksprache mit Ihrem Händler oder Ihrer Stromzuliefererfirma.
12. Halten Sie es von Haustieren fern. Einige Nagetiere lieben es, an Netzkabeln zu nagen.
13. Benutzen Sie für die Reinigung ein weiches und trockenes Tuch. Benutzen Sie niemals Lösungsmittel oder Flüssigkeiten auf Ölbasis. Benutzen Sie zum Entfernen hartnäckiger Flecken ein feuchtes Tuch mit mildem Reinigungsmittel.
14. Der Hersteller haftet nicht für Schäden oder Verluste durch Fehlfunktion, Zweckentfremdung oder Modifikation des Geräts oder durch Wechseln der Batterien.
15. Unterbrechen Sie die Verbindung nicht während einer Formatierung oder einer Datenübertragung. Bei Unterbrechung drohen Datenverlust und Datenbeschädigung.
16. Wenn das Gerät eine USB-Wiedergabefunktion besitzt, dann stecken Sie den USB-Stick direkt in das Gerät. Verwenden Sie kein USB-Verlängerungskabel, weil die erhöhte Störungsanfälligkeit zu Datenverlust führen könnte.
17. Das Typenschild befindet sich an der Unter- oder Rückseite des Geräts.
18. Dieses Gerät ist nicht zur Benutzung durch Personen (einschließlich Kinder) mit physischen, sensorischen oder mentalen Beeinträchtigungen oder ohne ausreichender Erfahrung vorgesehen, es sei denn, sie werden durch eine verantwortliche Person beaufsichtigt oder wurden in die ordnungsgemäße Bedienung des Gerätes durch eine für ihre Sicherheit verantwortliche Person eingewiesen.



19. Dieses Produkt ist nur für den nicht-professionellen Gebrauch und nicht für gewerbliche oder industrielle Zwecke bestimmt.
20. Stellen Sie sicher, dass das Gerät in einer stabilen Position aufgestellt ist. Schäden aufgrund Verwendung dieses Produkts in einer instabilen Position, Vibrationen, Stöße oder Nichtbeachtung der anderen in dieser Bedienungsanleitung enthaltenen Warnungen und Sicherheitshinweise werden nicht durch die Garantie abgedeckt.
21. Entfernen Sie niemals das Gehäuse dieses Produkts.
22. Stellen Sie das Produkt niemals auf andere elektrische Geräte.
23. Halten Sie Kinder von den Plastiktüten fern.
24. Benutzen Sie nur vom Hersteller spezifizierte Erweiterungen/Zubehörteile.
25. Lassen Sie alle Eingriffe von qualifiziertem Servicepersonal ausführen. Eingriffe werden notwendig, wenn das Gerät auf irgendeine Weise wie beispielsweise am Netzkabel oder am Netzstecker beschädigt wurde, Flüssigkeit in das Gerät eingedrungen ist, Gegenstände in das Gerät gefallen sind, das Gerät Regen oder Feuchtigkeit ausgesetzt war, es heruntergefallen ist oder nicht ordnungsgemäß funktioniert.
26. Langes Hören lauter Töne aus einem Musikgerät kann zum zeitweiligen oder permanenten Hörverlust führen.
27. Wenn zum Lieferumfang des Produkts ein Netzkabel oder ein Netzadapter gehört:
  - Wenn irgendwelche Probleme auftreten, dann ziehen Sie den Netzstecker aus der Netzsteckdose und setzen Sie sich anschließend mit einer qualifizierten Fachkraft in Verbindung.
  - Treten Sie nicht auf das Netzteil und klemmen Sie es auch nicht ein. Geben Sie besonders im näheren Bereich des Steckers und der Stelle acht, wo das Kabel aus dem Gerät herausgeführt wird. Stellen Sie keine schweren Gegenstände auf das Netzteil, weil es dadurch beschädigt werden könnte. Halten Sie das gesamte Gerät außerhalb der Reichweite von Kindern! Durch Spielen mit dem Netzkabel können sie sich ernsthafte Verletzungen zuziehen.
  - Trennen Sie das Gerät während eines Gewitters oder bei längerer Nichtbenutzung vom Netz.
  - Die Wandsteckdose muss sich in der Nähe des Geräts befinden und einfach zu erreichen sein.
  - Steckdosen und Verlängerungsleitungen nicht überlasten. Eine Überlastung kann zu Brandgefahr bzw. Stromschlag führen.

- Geräte der Schutzklasse 1 sind an eine Netzsteckdose mit Schutzleiter anzuschließen.
  - Geräte der Schutzklasse 2 benötigen keinen Schutzleiteranschluss.
  - Halten Sie den Netzstecker in der Hand, wenn Sie ihn aus der Netzsteckdose ziehen. Ziehen Sie ihn nicht durch Zerren am Kabel heraus. Das kann zu einem Kurzschluss führen.
  - Verwenden Sie weder ein beschädigtes Netzkabel noch einen beschädigten Stecker oder eine lockere Steckdose. Es besteht Brand- und Stromschlaggefahr.
28. Wenn das Produkt mit einer Fernbedienung mit Batterien/Knopfzellen geliefert wird oder das Produkt eine derartige Fernbedienung umfasst: Warnung:
- „Die Batterie nicht einnehmen, er besteht Verätzungsgefahr“.
  - [Die mit diesem Produkt mitgelieferte Fernbedienung] enthält eine Knopfatterie. Das Verschlucken der Batterie kann innerhalb von nur 2 Stunden zu schwersten inneren Verbrennungen mit Todesfolge führen.
  - Halten Sie neue und gebrauchte Batterien von Kindern fern.
  - Verwenden Sie dieses Produkt nicht weiter und halten Sie es von Kindern fern, wenn das Batteriefach nicht sicher schließt.
  - Suchen Sie umgehend ärztliche Hilfe auf, wenn Sie vermuten, dass Batterien verschluckt oder in Körperöffnungen eingeführt wurden.
29. Warnhinweise bzgl. der Verwendung von Batterien:
- Es besteht Explosionsgefahr, wenn die Batterien nicht korrekt eingelegt werden. Nur mit Batterien des gleichen oder entsprechenden Typs ersetzen.
  - Die Batterie darf während der Benutzung, Aufbewahrung oder des Transports weder sehr hohen oder sehr niedrigen Temperaturen noch niedrigem Luftdruck in großen Höhenlagen ausgesetzt werden.
  - Die Ersetzung der Batterie mit einem falschen Batterietyp kann zum Explodieren der Batterie oder dem Auslaufen von entflammbarem Gas oder entflammbarer Flüssigkeit aus der Batterie führen.
  - Die Entsorgung der Batterie in Feuer oder einem heißen Ofen oder das mechanische Zerkleinern oder Zerteilen der Batterie kann zu Explosionen führen.

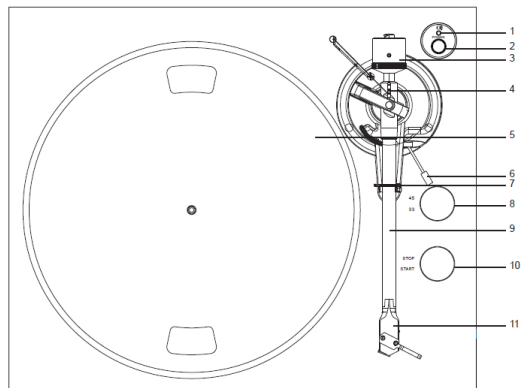
- Das Verbleiben der Batterie in einer Umgebung mit sehr hohen Temperaturen kann zum Explodieren der Batterie oder dem Auslaufen von entflammbarem Gas oder entflammbarer Flüssigkeit führen.
- Eine einem sehr niedrigen Luftdruck ausgesetzte Batterie kann explodieren oder es kann aus einer einem sehr niedrigen Luftdruck ausgesetzten Batterie entflammbares Gas oder entflammbare Flüssigkeit auslaufen.
- Augenmerk ist auf den ökologischen Aspekt der Batterieentsorgung zu legen.

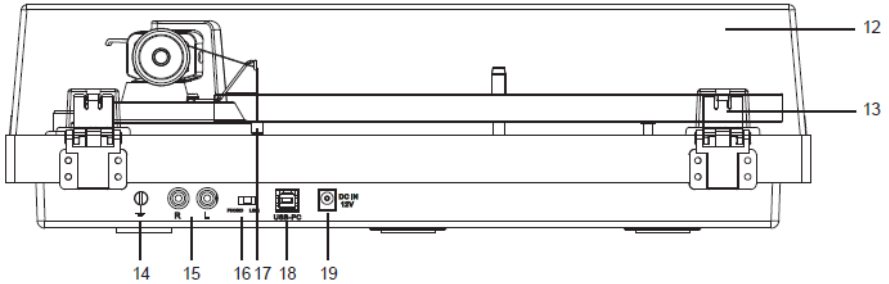
## ANSCHLUSS

- Packen Sie alle Teile aus und entfernen Sie danach die Schutzmaterialien.
- Schließen Sie das Gerät nicht eher an das Netz an, bevor Sie die Netzspannung überprüft haben und alle anderen notwendigen Verbindungen hergestellt sind.

## KOMPONENTEN, MERKMALE UND VERBINDUNGEN

1. LED-Betriebsanzeige  
/-Bluetooth-Anzeige
2. Ein-/Aus-Taste
3. Gegengewicht
4. Anti-Skating-Regler
5. Plattenteller
6. Tonarmheber
7. Tonarmablage
8. Drehzahlregler (33/45)
9. Tonarm
10. Start-/Stopp-Drehregler
11. Tonabnehmer





- |                                       |                                  |
|---------------------------------------|----------------------------------|
| 12. Abdeckung                         | 16. PHONO-/Line Out-Wahlschalter |
| 13. Scharnier der Abdeckung           | 17. Anti-Skating-Gewicht         |
| 14. Erdungsanschluss                  | 18. USB-Anschluss                |
| 15. Cinch-Buchsen<br>(PHONO/Line Out) | 19. Netzeingang                  |

Bitte prüfen Sie gründlich und stellen Sie sicher, dass Sie die folgenden Artikel finden, die diesem Paket beiliegen:

- |                                     |  |
|-------------------------------------|--|
| 1) Gerät                            | 7) Bedienungsanleitung                 |
| 2) Adapter mit EU-UK<br>Steckerende | 8) Tonabnehmerausrichtungswinkelmesser |
| 3) Gegengewicht                     | 9) USB-PC Kabel                        |
| 4) Plattenteller mit Riemen         | 10) 2 Stück Abdeckhaube-Ersatzgummi    |
| 5) Adapter 45 U/Min                 | 11) Antiskating-Gewicht                |
| 6) Plattentellerbelag               | 12) LINE-OUT-Kabel                     |

Dieser Plattenspieler wird mit einem werksseitig montierten und eingestellten Tonabnehmer geliefert.

\*\*Die folgenden Anweisungen zum Einstellen des Tonabnehmers sind für den Fall vorgesehen, dass der Tonabnehmer zu einem späteren Zeitpunkt durch

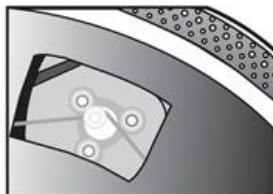
ein anderes Modell ersetzt wird.

### Installation der Abdeckhaube

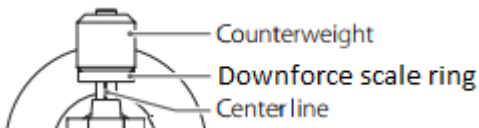
Installieren Sie die **Abdeckhaube** vorsichtig über die Scharnierstifte.

### Plattenspieler-Plattenteller- und Riemeneinstellung

1. Montieren Sie den Antriebsriemen über den Innenring unter dem Plattenteller und achten Sie darauf, dass er beim Einstellen nicht herunterfällt.
2. Platzieren Sie den Plattenteller durch die Plattentellerspindel und drehen Sie den Plattenteller, bis Sie die Riemenscheibe des Antriebsmotors durch das Fenster in der oberen linken Ecke sehen.
3. Greifen Sie vorsichtig nach dem Antriebsriemen und legen Sie ihn um den Schlitz der Motorriemenscheibe.
4. Verbinden Sie das Netzteil mit dem Plattenspieler und schalten Sie den Plattenspieler ein.
5. Stellen Sie den Motorstart-/Stopp-Schalter auf die Startposition, um zu sehen, ob sich der Plattenteller-Motor dreht. Wenn sich der Plattenteller nicht dreht, versuchen Sie die oben aufgeführten Schritte erneut.



### Einstellung der Auflagekraft des Tonabnehmers



EN	DE
Counterweight	Gegengewicht
Downforce scale ring	Skalenring der Auflagekraft

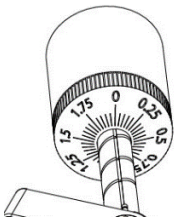
Das mitgelieferte **Gegengewicht** ist für Tonabnehmer mit einem Gewicht zwischen 3,0-6,0 g geeignet.

- Drücken und drehen Sie das Gegengewicht vorsichtig auf die Rückseite des Tonarms (mit der Skala zur Vorderseite des Plattenspielers gerichtet).
- Entfernen Sie die Tonabnehmerschutzkappe.
- Senken Sie den Tonarmflifthebel und positionieren Sie den Tonabnehmer im Raum zwischen Tonarmstütze und Plattenteller.

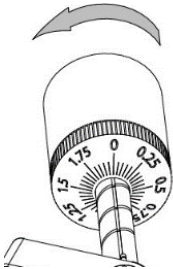
Drehen Sie das **Gegengewicht** vorsichtig, bis der Tonarm ausbalanciert ist. Der Tonarm sollte in die balancierte Position zurückkehren, wenn er nach oben oder unten bewegt wird. Diese Einstellung muss sorgfältig vorgenommen werden.



- Sobald der Tonarm richtig ausbalanciert ist, bringen Sie ihn in seine Ruheposition zurück. Halten Sie das **Gegengewicht** fest, ohne es zu bewegen, und drehen Sie den **Auflageskalenring**, bis die Null mit der schwarzen Linie auf der Rückseite des **Tonarms** übereinstimmt. Überprüfen Sie, ob der Arm noch ausbalanciert ist.



- Drehen Sie das Gegengewicht gegen den Uhrzeigersinn (von vorne gesehen), um die Auflagekraft gemäß den Empfehlungen des Tonabnehmerherstellers einzustellen. Eine Markierung auf der Skala entspricht 0,05 g Auflagekraft.

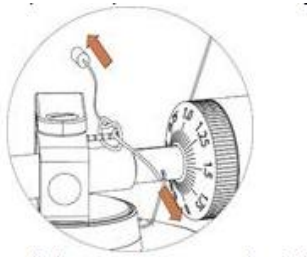


**HINWEIS:** Die empfohlene Auflagekraft für den werksseitig montierten Tonabnehmer beträgt  $3,0 \pm 0,5$  g.

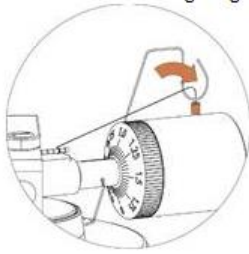
### Bringen Sie das Anti-Skating-Gewicht an

In der Verpackung befindet sich das Anti-Skating-Gewicht mit dünner Angelschnur. Bitte folgen Sie den nachstehenden Schritten, um das Anti-Skating-Gewicht anzubringen:

1. Schieben Sie das geschlungene Ende der Angelschnur über den Einstellstift des Anti-Skating-Gewichts in die 3. Einkerbung (die richtige Anti-Skating-Kraft für werksmontierte Tonabnehmer).



2. Ziehen Sie leicht am Anti-Skating-Gewicht, damit die Schlaufe der Angelschnur in die Einkerbung hineingleitet.
3. Heben Sie nun das Anti-Skating-Gewicht über die Klemmenhalterung des Anti-Skating-Gewichts. Das Anti-Skating-Gewicht sollte nun im Freiraum linkerhand der Halterung hängen.



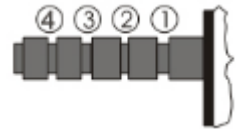
Schieben Sie die Schlaufe der Schnur des Anti-Skating-Gewichts über die 3. Bolzenrinne, um die richtige Anti-Skating-Kraft für den werksmontierten Tonabnehmer einzustellen. Führen Sie das Gewinde durch die Schlaufe der Drahtstütze.



## Einstellung der Antiskating-Kraft

Die Antiskating-Kraft muss wie folgt entsprechend der Auflagekraft eingestellt werden:

<u>Auflagekraft</u>	<u>Nut im Stift</u>
2 bis 2,5 g	1. der Lagerringe
2,5 bis 3 g	2. " " "
3 bis 3,5 g	3. " " "
3,5 bis 4 g	4. " " "



Schieben Sie den Gewindegang des Antiskating-Gewichts über die **3e Aussparung** des Stifts, um die richtige Antiskating-Kraft für den werksseitig montierten Tonabnehmer einzustellen. Führen Sie das Gewinde durch die Schlaufe der Drahtstütze.

## Verbindung des Stereosystems

### RCA-Buchsen

Die Cinch-Buchsen dieses Geräts werden sowohl als PHONO- als auch als LINE-Ausgangsbuchsen verwendet. Der aktive Ausgang wird durch den Umschalter PHONO/LINE bestimmt.

Wenn Sie die Buchsen als LINE-Ausgang benutzen, dann führen die Ausgangsbuchsen ein hochpegeliges Signal, das direkt zu zwei Aktivlautsprechern oder einen geeigneten Eingang Ihres Stereosystems geführt werden kann. Wenn Sie die Buchsen als PHONO-Ausgang benutzen, dann sollte das Signal zuerst zu einem PHONO-Vorverstärker oder den PHONO-Eingang Ihres Stereosystems geführt werden.

Der rote Stecker verbindet sich mit dem rechten Kanal und der weiße Stecker mit dem linken Kanal.

Hinweis:

Wenn Sie den Umschalter PHONO/LINE auf LINE gestellt, jedoch die Cinch-Buchsen mit den PHONO-Eingangsbuchsen Ihres Stereosystems verbunden haben, dann kann es zu Klangverzerrungen aufgrund der Signalübersteuerung kommen, die auch zur Beschädigung Ihres Stereosystems führen können.

Wenn Sie den Umschalter PHONO/LINE auf PHONO gestellt, jedoch die Cinch-Buchsen mit den LINE-Eingangsbuchsen Ihres Stereosystems verbunden haben, dann ist der Lautstärkepegel aufgrund der fehlenden Vorverstärkung sehr gering.

Die Cinch-Buchsen sind nicht dafür vorgesehen, direkt an Passivlautsprecher angeschlossen zu werden. Wenn Sie dennoch Passivlautsprecher anschließen, dann ist der Lautstärkepegel sehr gering.

## **Netzverbindung**

Das Netzteil befindet sich im Schaumstoffpackmaterial. Entpacken Sie das Netzteil und stecken Sie das kleine Ende in die **DC-Buchse** auf der Rückseite des Plattenspielers. Stecken Sie das Netzteil in Ihre Steckdose.

## **Bedienung**

### **Betrieb des Plattenspielers**

1. Schließen Sie das mitgelieferte Netzteil an das Gerät an und drücken Sie zum Einschalten des Plattenspielers die Ein-/Austaste (2).
2. Entfernen Sie den Nadelschutz vom Tonabnehmer.
3. Legen Sie den Belag auf den Plattenteller und legen Sie eine Schallplatte auf den Belag. Wenn Sie 45 U/min Schallplatten verwenden, legen Sie den 45 U/min Adapter auf die Mittelspindel, bevor Sie die Schallplatte auf den Plattenteller legen.
4. Stellen Sie den 33/45 U/min Wählschalter entsprechend der Art der Schallplatte ein.

5. Drehen Sie das Start-/Stopp-Rad in die Startposition, um mit dem Drehen des Plattentellers zu beginnen.
6. Entriegeln Sie die Armstütze und bringen Sie den Lifthebel in die obere Position.
7. Positionieren Sie den Tonarm über die gewünschte Position (Rille) auf der Schallplatte.
8. Bewegen Sie den Lifthebel des Tonarms in die untere Position, um den Tonarm in Richtung der Schallplatte zu bewegen. Alternativ können Sie die Nadel auch über die gewünschte Stelle auf der Schallplatte legen.
9. Senken Sie den Tonarm vorsichtig auf die Schallplatte ab.
10. Wenn Sie mit der Wiedergabe der Schallplatte fertig sind, heben Sie den Tonarm an, legen Sie ihn wieder auf die Armstütze und drehen Sie das Start/Stopp-Einstellrad auf Stopp.
11. Drücken Sie zum Ausschalten der Stromversorgung die Ein-/Austaste.

### **Bluetooth Betrieb**

Dieses Gerät hat einen Bluetooth-Sender, um Ton kabellos an einen Bluetooth-Lautsprecher oder -Kopfhörer zu senden.

1. Schalten Sie Ihren Bluetooth-Lautsprecher ein und stellen Sie sicher, dass er sich im Kopplungsmodus befindet.
2. Schalten Sie den Plattenspieler mit der Ein-/Austaste (2) ein. Die LED-Anzeige (1) leuchtet zunächst ROT und blinkt dann während der Bluetooth-Suche nach externen Lautsprechern oder Kopfhörern blau. Hinweis: Wenn Sie die Bluetooth-Suchfunktion deaktivieren möchten, können Sie die Ein-/Austaste 3 Sekunden gedrückt halten. Daraufhin leuchtet die LED-Anzeige ROT.

3. Während der Kopplung blinkt die blaue LED zweimal pro Sekunde und wechselt bei erfolgreicher Kopplung zu stetigem blauem Leuchten; Hinweis: Dieses Gerät verbinden sich mit dem nächstgelegenen Bluetooth-Gerät. Wenn nach 2 Minuten kein Bluetooth-Lautsprecher zur Kopplung gefunden werden kann, wird der Bluetooth-Sender inaktiv und die LED-Farbe wechselt zu Rot.
4. Drücken Sie zur Aufhebung der Kopplung 3 Sekunden lang die Ein-/Austaste oder schalten Sie die Bluetooth-Kopplung an Ihrem externen Bluetooth-Lautsprecher oder -Kopfhörer aus.

*„Dieses Produkt besitzt eine Bluetooth-Übertragungsfunktion, mit der Sie jedoch keine Klänge über Bluetooth empfangen können, d. h. Sie können nur Bluetooth-Audiosignale an externe Quellen wie beispielsweise einem Bluetooth-Lautsprecher, Bluetooth-Kopfhörer oder an ein Audiosystem mit Bluetooth-Empfang senden.“*

## Übersicht Der Audacity Software

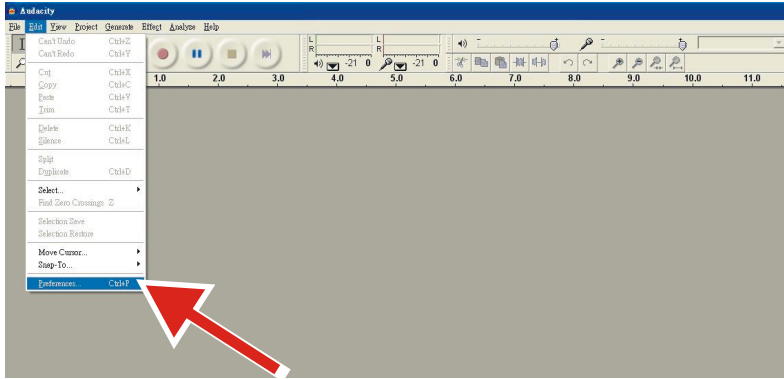
Audacity ist eine kostenlose Software unter Lizenz von GNU General Public License (GPL). Nähere Informationen sowie den offenen Quellcode finden Sie im Internet unter <https://www.audacityteam.org/download/>

- \* **Vergewissern Sie sich, dass Sie die Software vor der Inbetriebnahme installiert haben.**

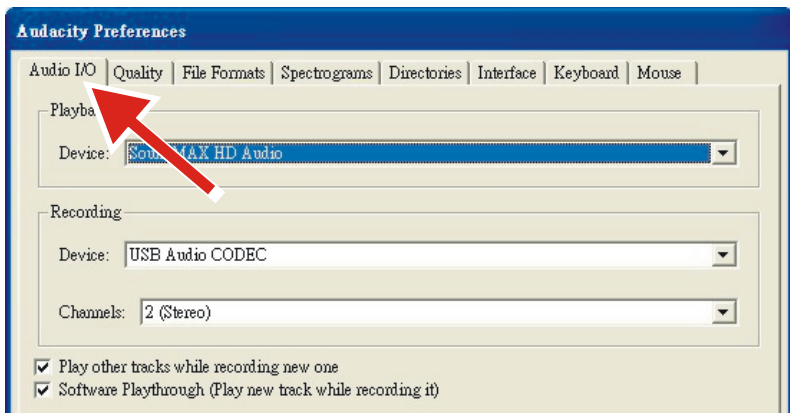
### Vorbereitung des PCs für die Verwendung von Audacity

1. Verbinden Sie eine Eingangsquelle mit dem Gerät.
2. Schließen Sie das USB-Kabel an Ihren Computer an.
3. Installieren Sie die Aufnahmesoftware Audacity.
4. Starten Sie Audacity.

5. Wählen Sie im Audacity-Menü unter Edit (Bearbeiten) die Option Preference (Benutzereinstellungen).



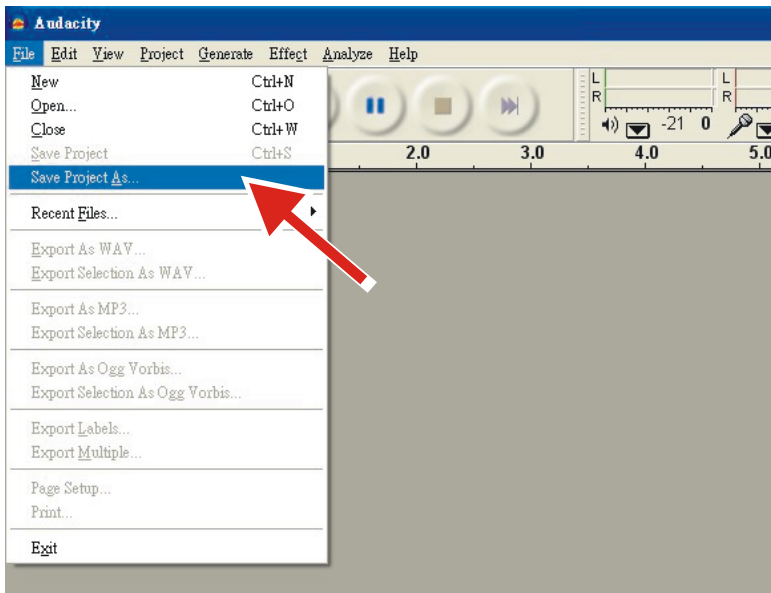
6. Wählen Sie oben links die Einstellung **Audio I/O**.
- Wählen Sie unter Wiedergabe, Gerät **Ihre interne Soundkarte**.
  - Wählen Sie unter Aufnahme, Gerät **USB Audio CODEC** (USB-Audiocodec).
  - Wählen Sie unter Aufnahme, Kanäle **2 (Stereo)**.
  - Kreuzen Sie das Feld **Play other tracks while recording new one** (Andere Titel während der Aufnahme des neuen Titels abspielen) an.
  - Kreuzen Sie das Feld **Software-Playthrough** an.



## Alben mit Audacity aufnehmen



### 1. Projekte speichern

- Audacity speichert alle geänderten und aufgenommenen Audioinhalte in einem Verzeichnis mit dem Namen **Projectname\_data**. Dieses Verzeichnis befindet sich genau dort, wo das Projekt selbst gespeichert ist.
- Wählen Sie also unter Audacity-Datei die Option **Save Project as** (Projekt speichern unter) und wählen Sie dann einen Speicherort und einen Dateinamen für Ihr Projekt aus.
- Wenn Sie Audacity neu starten, ist nur die Option „**Save As...**“ (Speichern unter) verfügbar.



### 2. Aufnahme

- Bereiten Sie Ihren USB-Plattenspieler für die Wiedergabe des gewünschten Titels bzw. des gewünschten Albums vor.

- Drücken Sie die rote  um die Aufnahme zu starten.  
Aufnahmetaste,
- Senken Sie den Tonarm des USB-Plattenspielers an der Stelle des gewünschten Albums bzw. Titels ab.
- Drücken Sie die blaue Pause-Taste  um die Aufnahme zu unterbrechen. Drücken Sie die Taste erneut, um die Aufnahme fortzusetzen.
- Drücken Sie auf die gelbe Stopp-Taste. 

Und fertig Sie können nun Ihre Aufzeichnung abspielen und die vielseitigen Bearbeitungsmöglichkeiten von Audacity entdecken. Beachten Sie, dass Sie die Widerrufen-Funktion fast ohne Einschränkung verwenden können, während das Projekt geöffnet ist.

**HINWEIS:** CDs lassen sich nicht direkt mit der Audacity Software brennen. Verwenden Sie dafür andere CD-Brennerprogramme.

**ANMERKUNG:** Informieren Sie sich in den Anleitungen der CD über erweiterte Funktionen.

## **Wartung und Reinigung**

Ihr Plattenspieler benötigt wenig oder gar keine regelmäßige Wartung. Entfernen Sie Staub mit einem leicht feuchten Antistatiktuch. Verwenden Sie niemals ein trockenes Tuch, da dies statische Elektrizität erzeugt und mehr Staub anzieht! Antistatische Reinigungsmittel sind im Fachhandel erhältlich, müssen aber sparsam angewendet werden, um Schäden an Gummiteile zu vermeiden. Es wird empfohlen, den Nadelschutz vor der Reinigung oder Wartung zu installieren, um Schäden zu vermeiden.

Wenn der Plattenspieler über einen längeren Zeitraum nicht benutzt wird, sollte der Antriebsriemen entfernt werden, um ein ungleichmäßiges Strecken zu vermeiden.

**HINWEIS:** Trennen Sie den Plattenspieler vor Wartungsarbeiten immer vom Stromnetz!

### **Nützliche Tipps**

Der Plattenspieler sollte auf einer resonanzarmen Oberfläche wie Holz oder einer mehrschichtigen Schichtplatte aufgestellt werden, um Strukturschwingungen zu vermeiden, die die Wiedergabe stören.

## **Austausch des Tonabnehmers**

1. Legen Sie vor dem Austausch den Nadelschutz wieder auf die Nadel, um eine Beschädigung der Nadel während des Austauschvorgangs zu vermeiden.
2. Entfernen Sie vorsichtig die Anschlussleitungen vom Originaltonabnehmer.
3. Lösen Sie die beiden Schrauben am Tonkopf, die den Tonabnehmer sichern, und entfernen Sie dann den Originaltonabnehmer.
4. Montieren Sie den neuen Tonabnehmer am Tonkopf und ziehen Sie sie leicht an. Ziehen Sie die Schrauben in diesem Moment nicht vollständig an.



5. Schließen Sie die Anschlussleitungen an die Anschlüsse des neuen Tonabnehmers an. Die Farbcodes für die Kabel sind wie folgt:  
 Weiß Linker Kanal positiv (L+)  
 Schwarz Linker Kanal negativ (L-)  
 Rot Rechter Kanal positiv (R+)  
 Schwarz Rechter Kanal negativ (R-)
6. Stellen Sie die Position des Tonabnehmers so ein, dass sie genau auf dem Tonkopf ausgerichtet ist, so dass die Nadel die Rillen parallel perfekt verfolgt.  
 Um dies zu erreichen, legen Sie den mitgelieferten Papierausrichtungswinkel für den Tonabnehmer über die Drehtischspindel, heben Sie den Tonarm vorsichtig an und setzen Sie die Spitze der Nadel auf die mit 130 mm bzw. 250 mm markierten Punkte. Feinjustieren Sie die Position des Tonabnehmers auf dem Tonkopf, bis der Tonabnehmer an beiden Punkten perfekt parallel zu den Referenzlinien ist.
7. Ziehen Sie die Schrauben vollständig an, wenn die perfekte Ausrichtung erreicht ist.

HINWEIS: Wenn Sie mit der Durchführung dieses Vorgangs nicht vertraut oder unsicher sind, empfehlen wir Ihnen, die Installation von einem Fachmann durchführen zu lassen.

#### **Technische Daten:**

Nenngeschwindigkeiten	33 1/3 & 45 U/Min
Gleichlaufschwankungen	±1%
Tonhöenschwankungen	≤0.15%
Signal-Rausch-Verhältnis	55 dB
Auflagekraftbereich	3,0-6,0 g
Effektive Länge des Tonarms	8,6 Zoll (218,5 mm)
Überhang	0,73 Zoll

Leistungsaufnahme	5 W (Max)	
Externes Netzteil	12 V/500 mA	AC-DC
Abmessung (B x H x T)	420 x 360 x 125 mm	
Gewicht	4,8 kg	

#### **Technische Daten: AT-3600L (Audio-Technica)**

Frequenzgang	20 Hz – 20 kHz
Empfohlener Lastwiderstand	47 kOhm
Kanalabgleich	< 2,5 dB
Anschluss einen Verstärker	MM - Eingang
Kanaltrennung	>18 dB
Empfohlene Auflagekraft	3,0 ± 0,5 g
Ausgangsspannung	2,5 mV
Gewicht	5 g

#### **Mögliche unsachgemäße Verwendung und Fehlerzustände**

Diese Plattenspieler werden nach den höchsten Standards hergestellt und unterliegen strengen Qualitätskontrollen, bevor sie das Werk verlassen. Möglicherweise auftretende Fehler sind nicht unbedingt auf Material- oder Produktionsfehler zurückzuführen, sondern können manchmal durch unsachgemäßen Gebrauch oder unglückliche Umstände verursacht werden. Daher ist die folgende Liste der häufigsten Fehlersymptome beigefügt.

#### **Der Plattenteller dreht sich nicht, obwohl das Gerät eingeschaltet ist:**

- Das Gerät ist nicht an das Stromnetz angeschlossen.
- Keine Spannung an der Steckdose.
- Der Antriebsriemen ist nicht installiert oder abgerutscht.
- Das Gerät wird automatisch in den Bereitschaftsmodus versetzt. Schalten Sie es dann wieder ein.

### **Kein Signal über den einen oder anderen Kanal oder beide Kanäle:**

- Phonoingang ist nicht am Verstärker ausgewählt.
- Verstärker nicht eingeschaltet.
- Verstärker oder Lautsprecher stummgeschaltet.
- Keine Verbindung zu den Lautsprechern.
- Keine Verbindung zwischen Plattenspieler und Verstärker.
- Die Kabeladern sind nicht mit dem Tonabnehmer verbunden.

### **Starkes Brummen am Phonoingang:**

- Keine Erdung von Tonabnehmer, Arm oder Armkabel zum Verstärker oder zur Erdschleife.
- Plattenspieler zu nah an den Lautsprechern.

### **Verzerrter oder inkonsistenter Ton von einem oder beiden Kanälen:**

- Der Plattenspieler ist an den falschen Eingang des Verstärkers angeschlossen.
- Nadel oder Kragarm beschädigt.
- Antriebsriemen überdehnt oder verschmutzt.
- Plattenlager ohne Öl, verschmutzt oder beschädigt.
- Staub auf der Nadel.
- MM/MC-Schalter am Vorverstärker falsch eingestellt.

**Anmerkung: Aufgrund der Anforderungen der ErP Stufe 2 an Energiesparmaßnahmen schaltet sich ein an das Stromnetz angeschlossenes Gerät automatisch in den Standby-Modus, wenn ca. 20 Minuten lang keine Musik abgespielt wurde.**

**Wenn Ihr Gerät regelmäßig abschaltet, ist dies kein Fehler.**

## Netzadapter

Hersteller: BRIGHTPOWER OPTOELECTRONIC TECHNOLOGY CO., LTD

Modellnummer: SW1200500-FM

Input voltage: 100-240V

Input AC frequency: 50/60Hz

Output voltage: DC 12V

Output current: 0.5A

Output Power: 6W

Average active efficiency: 79.62%

Efficiency at low load (10%): 70.40%

No load Power consumption: 0.073W

Verwenden Sie nur die im Handbuch angegebene Stromversorgung

## Garantie

Lenco bietet Leistungen und Garantien im Einklang mit Europäischem Recht.

Im Falle von Reparaturen (sowohl während als auch nach Ablauf der Garantiezeit) sollten Sie deshalb Ihren Einzelhändler kontaktieren.

Wichtiger Hinweis: Es ist nicht möglich, Geräte für Reparaturen direkt an Lenco zu schicken.

Wichtiger Hinweis: Falls dieses Gerät von einem nicht autorisierten Kundendienst geöffnet oder darauf zugegriffen wird, erlischt die Garantie.

Dieses Gerät ist nicht für professionelle Zwecke geeignet. Falls das Gerät für professionelle Zwecke eingesetzt wird, erlöschen alle Garantieverpflichtungen seitens des Herstellers.

## Haftungsausschluss

Aktualisierungen der Firmware und/oder Hardware-Komponenten werden regelmäßig durchgeführt. Daher können einige der Anweisungen, Spezifikationen und Abbildungen in dieser Dokumentation von Ihrer

individuellen Situation abweichen. Alle in diesem Handbuch beschriebenen Elemente dienen nur zur Illustration und treffen auf Ihre individuelle Situation möglicherweise nicht zu. Aus der in diesem Handbuch getätigten Beschreibung können keine Rechtsansprüche oder Leistungsanforderungen geltend gemacht werden.

**Entsorgung des Altgeräts**



Dieses Symbol zeigt an, dass das entsprechende Produkt oder dessen Akku/Batterie in Europa nicht mit dem normalen Hausmüll entsorgt werden darf. Um die ordnungsgemäße Abfallbehandlung des Produkts und dessen Akku/Batterie zu gewährleisten, müssen diese im Einklang mit allen anwendbaren örtlichen Vorschriften zur Entsorgung von

Elektrogeräten und Akkus/Batterien entsorgt werden. Dabei helfen Sie, natürliche Ressourcen zu schonen und Umweltschutzstandards zur Verwertung und Entsorgung von Altgeräten aufrecht zu halten (Waste Electrical and Electronic Equipment Directive).

**ÜBEREINSTIMMUNGSERKLÄRUNG**

Hiermit erklärt Commaxx, dass der Funkanlagentyp [LBT-188 (V2) / LBT-189 / LBT-288] der Richtlinie 2014/53/EU entspricht. Der vollständige Text der EU-Konformitätserklärung ist unter der folgenden Internetadresse verfügbar:

[https://commaxx-certificates.com/doc/lbt-188\\_doc.pdf](https://commaxx-certificates.com/doc/lbt-188_doc.pdf)

Typ HF	Frequenzbereich (MHz)	Sendeleistung (dBm)
Bluetooth	2402-2480	<6

**Service**

Besuchen Sie bitte für weitere Informationen und unseren Kundendienst unsere Homepage [www.lenco.com](http://www.lenco.com)

Commaxx B.V. Wiebachstraat 37, 6466 NG, Kerkrade, The Netherlands.

**ATTENTION :**

L'utilisation de commandes ou d'ajustements ou l'exécution de procédures autres que celles spécifiées dans le présent document peuvent entraîner une exposition dangereuse aux radiations.

**PRÉCAUTIONS AVANT UTILISATION**

---

**GARDEZ CES INSTRUCTIONS À L'ESPRIT :**

1. Ne couvrez pas et n'obtenez pas les ouvertures de ventilation. Lorsque vous placez l'appareil sur une étagère, laissez 5 cm (2") d'espace libre tout autour de l'appareil.
2. Installez-le conformément au mode d'emploi fourni.
3. Gardez l'appareil à l'écart des sources de chaleur telles que des radiateurs, appareils de chauffage, fours, bougies et autres produits générant de la chaleur ou une flamme nue. L'appareil ne peut être utilisé que dans des climats modérés. Les environnements extrêmement froids ou chauds doivent être évités. La plage de température de fonctionnement se situe entre 0° et 35° C.
4. Évitez d'utiliser l'appareil à proximité de champs magnétiques puissants.
5. Des décharges électrostatiques peuvent perturber le fonctionnement de cet appareil. Dans ce cas, il suffit de réinitialiser et de redémarrer l'appareil en suivant le mode d'emploi. Pendant le transfert de fichiers, manipulez l'appareil avec précaution et faites-le fonctionner dans un environnement sans électricité statique.
6. Mise en garde ! N'introduisez jamais un objet dans l'appareil par les ouvertures et les fentes de ventilation. Étant donné que des tensions élevées sont présentes à l'intérieur du produit, l'insertion d'un objet peut entraîner une électrocution et/ou court-circuiter les composants internes. Pour les mêmes raisons, ne versez pas de l'eau ou un liquide sur le produit.
7. Ne l'utilisez pas dans des endroits humides tels qu'une salle de bain, une cuisine pleine de vapeur ou à proximité d'une piscine.
8. L'appareil ne doit pas être exposé à des écoulements ou des éclaboussures et aucun objet contenant un liquide, tel qu'un vase, ne doit être posé sur ou près de l'appareil.

9. N'utilisez pas cet appareil lorsque de la condensation est possible. Lorsque l'appareil est utilisé dans une pièce humide et chaude, des gouttelettes d'eau ou de la condensation peuvent se former à l'intérieur de l'appareil et affecter son fonctionnement. Laissez l'appareil hors tension pendant 1 ou 2 heures avant de le mettre en marche : l'appareil doit être sec avant sa mise sous tension.
10. Bien que ce dispositif soit fabriqué avec le plus grand soin et contrôlé à plusieurs reprises avant de quitter l'usine, des problèmes peuvent néanmoins survenir, comme avec tous les appareils électriques. Si l'appareil émet de la fumée ou en cas d'accumulation excessive de la chaleur ou d'un phénomène inattendu, débranchez immédiatement la fiche d'alimentation du secteur.
11. Cet appareil doit fonctionner avec la source d'alimentation indiquée sur la plaque signalétique. Si vous n'êtes pas sûr du type d'alimentation utilisé chez vous, contactez votre revendeur ou le fournisseur local d'électricité.
12. Tenez l'appareil à l'abri des animaux. Certains animaux aiment ronger les cordons électriques.
13. Pour nettoyer l'appareil, servez-vous d'un chiffon doux et sec. N'utilisez pas de solvant ni d'autre liquide à base de pétrole. Pour enlever les taches importantes, vous pouvez vous servir d'un chiffon humide imbibé d'une solution de détergent diluée.
14. Le fournisseur n'est pas responsable des dommages ou pertes de données causés par un dysfonctionnement, une utilisation abusive, une modification de l'appareil ou un remplacement de la batterie.
15. N'interrompez pas la connexion lorsque l'appareil formate ou transfère des fichiers. Dans le cas contraire, les données pourraient être endommagées ou perdues.
16. Si l'appareil a une fonction de lecture USB, il faut brancher la clé USB directement sur l'appareil. N'utilisez pas un câble d'extension USB, car cela peut causer des interférences entraînant des pertes de données.
17. L'étiquette de classification se trouve sur le panneau inférieur ou arrière de l'appareil.
18. Cet appareil ne doit pas être utilisé par des personnes (y compris les enfants) souffrant de déficiences physiques, sensorielles ou mentales, ou d'un manque d'expérience et de connaissances, à moins qu'elles n'aient été supervisées ou qu'une personne responsable de leur sécurité ne leur ait donné des instructions sur l'utilisation correcte de l'appareil.

19. Ce produit est réservé à un usage non professionnel, et non pas à un usage commercial ni industriel.
20. Vérifiez que l'appareil est en position stable. La garantie ne couvre pas les dégâts occasionnés par l'utilisation de cet appareil en position instable, par les vibrations, les chocs ou par la non-observation de tout autre avertissement ou précaution contenus dans ce mode d'emploi.
21. N'ouvrez jamais cet appareil.
22. Ne placez jamais cet appareil sur un autre appareil électrique.
23. Ne laissez pas les sacs en plastique à la portée des enfants.
24. Utilisez uniquement les accessoires recommandés par le fabricant.
25. Confiez l'entretien et les réparations à un personnel qualifié. Une réparation est nécessaire lorsque l'appareil a été endommagé de quelque façon que ce soit, par exemple lorsque le cordon d'alimentation ou la prise sont endommagés, lorsqu'un liquide s'est déversé ou des objets sont tombés sur l'appareil, lorsque l'appareil a été exposé à la pluie ou à l'humidité, lorsqu'il ne fonctionne pas correctement ou est tombé.
26. Une exposition prolongée à la musique avec un volume élevé peut entraîner une perte auditive temporaire ou permanente.
27. Si l'appareil est livré avec un câble d'alimentation ou un adaptateur secteur :
  - En cas de problème, débranchez le cordon d'alimentation CA et confiez l'entretien à un personnel qualifié.
  - Ne marchez pas sur l'adaptateur secteur ou ne le coincez pas. Faites très attention, en particulier à proximité des fiches et du point de sortie du câble. Ne placez pas d'objets lourds sur l'adaptateur secteur, car ils pourraient l'endommager. Gardez l'appareil hors de portée des enfants ! Ils pourraient se blesser gravement s'ils jouent avec le câble d'alimentation.
  - Débranchez cet appareil pendant les orages ou lorsqu'il n'est pas utilisé pendant une longue durée.
  - La prise secteur doit être installée près de l'appareil et doit être facilement accessible.
  - Ne surchargez pas les prises de courant ou les rallonges. Une surcharge peut entraîner un incendie ou une électrocution.
  - Les appareils de classe 1 doivent être branchés à une prise de courant disposant d'une connexion protectrice à la terre.
  - Les appareils à la norme de construction de classe 2 ne nécessitent pas de connexion à la terre.



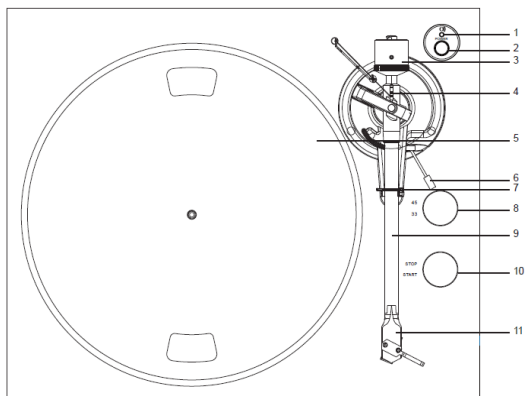
- Tirez toujours sur la fiche pour débrancher le cordon de la prise secteur. Ne tirez pas sur le cordon d'alimentation. Cela pourrait provoquer un court-circuit.
  - N'utilisez pas un cordon ou une fiche d'alimentation endommagé ni une prise desserrée. Vous courez un risque d'incendie ou de décharge électrique.
28. Si le produit contient ou est livré avec une télécommande contenant des piles boutons :
- Avertissement :
- « N'ingérez pas la pile, car vous risquez une brûlure chimique » ou une formule équivalente.
  - La télécommande fournie contient une pile bouton/pièce de monnaie. Si la pile est avalée, elle peut causer de graves brûlures internes en seulement 2 heures et peut entraîner la mort.
  - Tenez les piles neuves et usagées hors de portée des enfants.
  - Si le compartiment à piles ne se ferme pas correctement, cessez d'utiliser l'appareil et tenez-le hors de portée des enfants.
  - Si vous pensez que les piles ont été avalées ou placées à l'intérieur d'une partie du corps, consultez un médecin immédiatement.
29. Mise en garde relative à l'utilisation des piles :
- Risque d'explosion si la pile est mal remplacée. Remplacez les piles par des piles d'un type identique ou équivalent.
  - Pendant l'utilisation, le stockage ou le transport, la pile ne doit pas être soumise à des températures extrêmement élevées ou basses, à une faible pression d'air à haute altitude.
  - Le remplacement d'une pile par une autre de type incorrect peut entraîner une explosion ou une fuite de liquide ou de gaz inflammable.
  - L'introduction d'une pile dans le feu ou dans un four chaud, l'écrasement ou le découpage mécanique peut entraîner une explosion.
  - L'exposition d'une pile dans un environnement à température extrêmement élevée peut entraîner une explosion ou une fuite de liquide ou de gaz inflammable.
  - L'exposition d'une pile à une pression d'air extrêmement basse peut entraîner une explosion ou une fuite de liquide ou de gaz inflammable.
  - Veuillez considérer les questions environnementales lors de la mise au rebut des piles.

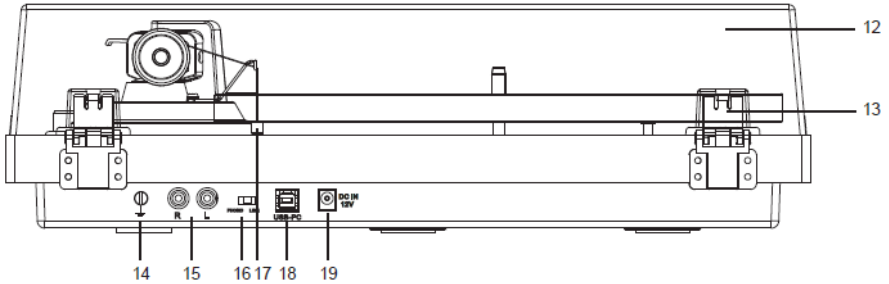
## INSTALLATION

- Déballez toutes les pièces et enlevez le matériau de protection.
- Ne connectez pas l'unité au secteur avant d'avoir vérifié la tension du secteur et avant que toutes les autres connexions n'aient été effectuées.

## COMPOSANTS, CARACTÉRISTIQUES ET CONNEXIONS

1. Voyant d'alimentation et Bluetooth
2. Bouton d'alimentation
3. Contrepoids
4. Doigt annelé de l'antipatinage
5. Plateau tourne-disque
6. Levier de levage du bras de lecture
7. Repose-bras
8. Sélecteur 33 et 45 tr/min
9. Bras de lecture
10. Molette de démarrage/arrêt
11. Pointe de lecture





- |  |   |
|--|---|
| 12. Couverture                         | 16. Commutateur de sortie de ligne et PHONO |
| 13. Charnière du couvercle             | 17. Poids antipatinage                      |
| 14. Connecteur de terre                | 18. Port USB                                |
| 15. Prises de sortie de ligne et PHONO | 19. Prise d'alimentation CA-CC              |

Vérifiez attentivement que les éléments suivants sont dans l'emballage :

- |                                |   |
|--------------------------------|---|
| 1) Unité                       | 7) Mode d'emploi                                      |
| 2) Adaptateur avec fiche UE-RU | 8) Rapporteur d'alignement de porte-pointe de lecture |
| 3) Contrepoids                 | 9) Câble USB-PC                                       |
| 4) Plateau avec courroie       | 10) 2 repose couvercle en caoutchouc de rechange      |
| 5) Adaptateur de 45 TOURS      | 11) Poids anti-glissement                             |
| 6) Feutrine                    | 12) Câble de sortie RCA                               |

Ce tourne-disque est livré avec une cellule de lecture installée et ajustée en usine.

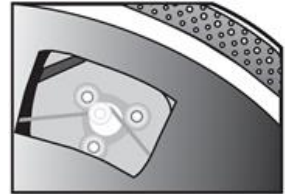
\*\* Les instructions suivantes pour le réglage de la cellule de lecture sont fournies en cas de remplacement de ce dernier par un autre modèle.

## Installation du couvercle

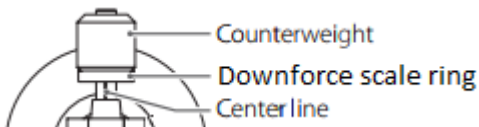
Installez soigneusement le **couvercle** dans les fentes des charnières.

## Mise en place du plateau et de la courroie

1. Faites passer la courroie par-dessus le cercle d'entraînement sous le plateau et veillez à ce qu'elle ne tombe pas pendant l'installation.
2. Faites passer le plateau dans l'axe de rotation, puis le faire tourner jusqu'à ce que vous voyiez la poulie du moteur d'entraînement dans la fenêtre située dans le coin supérieur gauche.
3. Saisissez soigneusement la courroie et la placer autour de la fente de la poulie du moteur.
4. Branchez l'adaptateur secteur dans le tourne-disque et allumez ce dernier.
5. Positionnez le commutateur Démarrer/Arrêter du moteur sur Démarrer pour voir si le moteur du tourne-disque tourne. Si le tourne-disque ne tourne pas, réessayez en effectuant de nouveau les étapes ci-dessus.



## Réglage de la force d'appui de la cellule de lecture



EN	FR
Counterweight	Contrepoids
Downforce scale ring	Bague de réglage de la force d'appui
Center line	Axe

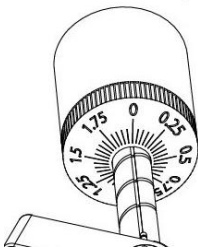
Le **contrepoids** fourni convient aux cellules de lecture de 3 à 6 g.

- Poussez doucement le contrepoids vers l'arrière du bras en le tournant (la graduation étant orientée vers l'avant de la platine).
- Retirez le capuchon de protection de la cellule de lecture
- Abaissez le bras de lecture et placez l'aiguille de lecture dans l'espace entre le repose-bras et la platine.

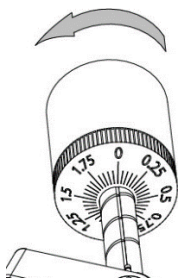
Tournez avec précaution le **Contrepoids** jusqu'à ce que le bras de lecture soit équilibré. Le bras de lecture doit retourner à la position d'équilibre s'il est déplacé vers le haut ou le bas. Ce réglage doit être effectué avec précaution.



- Une fois que le bras de lecture est correctement équilibré, le ramener vers le repose-bras. Tenez le **Contrepoids** sans le déplacer et faites tourner doucement **l'anneau gradué** jusqu'à ce que le zéro soit aligné avec la ligne noire à l'arrière du **bras de lecture**. Vérifiez si le bras est toujours en équilibre.



- Faites pivoter le contrepoids dans le sens antihoraire (vu de l'avant) pour régler la force d'appui conformément aux recommandations du fabricant de la cellule de lecture. Une graduation représente 0,05 g de la force d'appui.



**REMARQUE :** La force d'appui recommandée pour la cellule de lecture montée en usine est de  $3,0 \pm 0,5$  g.

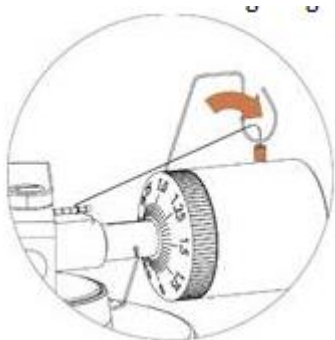
### Identifiez le poids antipatinage

Vous trouverez un poids antipatinage sur une petite ligne de pêche dans l'emballage. Veuillez suivre la procédure suivante pour identifier le poids antipatinage :

1. Faites glisser l'extrémité en boucle de la ligne de pêche sur l'embout de réglage du poids antipatinage et dans la 3<sup>e</sup> rainure (la force antipatinage correcte pour le porte-pointe).



2. Tirez doucement sur le poids antipatinage pour laisser le nœud de la ligne de pêche se déplacer sur l'embout.
3. Soulevez le poids antipatinage par-dessus le support de fil du poids antipatinage. Le poids antipatinage doit à présent être suspendue dans l'espace libre à gauche du support.

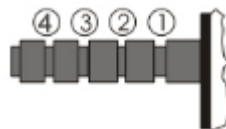


Faites glisser la boucle du fil du poids antipatinage sur la **3e** rainure de l'embout pour régler la force antipatinage correcte pour la cellule monté en usine. Faites passer le fil dans la boucle du support de fil.

### Réglage de la force anti-glisement

La force anti-glisement doit être ajustée en fonction de la force d'abaissement comme suit :

<u>Force d'abaissement</u>	<u>Rainure dans l'onglet</u>
2 à 2,5 g	1ere à partir de la bague de roulement
2,5 à 3 g	2e " " "
3 à 3,5 g	3e " " "
3,5 à 4 g	4e " " "



Glissez la boucle du fil du poids anti-glisement sur la **3e** rainure de l'onglet pour régler la bonne force anti-glisement de la cellule de lecture montée en usine. Faites passer le fil dans la boucle du support de fil.

## Connexion du système stéréo

### Prises RCA

Les prises RCA de cet appareil sont partagées par les prises de sortie phono et les prises de sortie de ligne. La sélection se fait par le commutateur « PHONO/LINE ».

Lors de l'utilisation en sortie de ligne, les prises délivrent les signaux de niveau de ligne analogiques et peuvent être connectées directement à une paire d'enceintes actives ou à l'entrée appropriée de votre chaîne stéréo. Lors de l'utilisation en sortie phono, elles doivent être connectées au préamplificateur phono ou à l'entrée phono de votre chaîne stéréo.

La fiche rouge se connecte au canal droit et la fiche blanche se connecte au canal gauche.

Remarque :

Si le commutateur « PHONO/LINE » est placé sur la position « LINE » mais que les prises RCA sont connectées à l'entrée phono de la chaîne stéréo, le son pourra être déformé en raison de la surcharge de l'entrée et la chaîne stéréo risque de s'endommager.

Si le commutateur « PHONO/LINE » est placé sur la position « PHONO » mais que les prises RCA sont connectées à l'entrée de ligne de la chaîne stéréo, le volume sera très faible en raison de l'absence de préamplification du signal.

La prise RCA n'a pas été conçue pour être directement connectée à des enceintes passives/sans amplification. Si c'est le cas, le volume sera très faible.

## Branchement au secteur

L'adaptateur d'alimentation se trouve dans le matériau d'emballage en mousse. Déballez l'adaptateur secteur et branchez la petite extrémité dans la **prise d'alimentation CC** située à l'arrière du tourne-disque. Branchez l'adaptateur dans une prise secteur.



## Utilisation

### Utilisation du tourne-disque

1. Branchez l'adaptateur d'alimentation fourni à l'appareil, puis appuyez sur le bouton d'alimentation (2) pour allumer la platine tourne-disque.
2. Retirez le cache-aiguille de la cellule de lecture.
3. Placez le feutre sur la platine et placez-y un disque. Si vous utilisez des disques 45 tr/min, insérez l'adaptateur 45 tr/min dans l'arbre central avant de placer le disque sur la platine.
4. Positionnez le sélecteur 33/45 RPM en fonction du type de disque.
5. Positionnez le commutateur Démarrer/Arrêter sur Démarrer pour lancer la rotation de la platine.
6. Déverrouillez le crochet du bras de lecture et soulevez le levier.
7. Placez le bras de lecture sur l'emplacement souhaité (rainure) du disque.
8. Abaissez le levier du bras de lecture pour déplacer le bras de lecture vers le disque. Vous pouvez également placer l'aiguille directement sur une certaine position du disque.
9. Abaissez avec précaution le bras de lecture sur le disque.
10. Lorsque vous aurez terminé d'écouter le disque, soulevez le bras de lecture, le replacer sur le repose-bras et positionnez le commutateur Démarrer/Arrêter sur Arrêter.
11. Appuyez sur le bouton d'alimentation pour éteindre l'appareil.

### Fonctionnement par Bluetooth

Cet appareil est équipé d'une fonction Bluetooth qui permet de diffuser sans fil le son vers une enceinte acoustique ou un casque d'écoute sans fil.

1. Allumez votre enceinte Bluetooth et assurez-vous qu'elle est en mode couplage.
2. Allumez la platine tourne-disque à l'aide du bouton d'alimentation (2). Le

voyant lumineux (1) s'allume d'abord en rouge, puis se met à clignoter en bleu lors de la recherche d'appareils Bluetooth, tels qu'une enceinte acoustique ou un casque d'écoute.

Remarque : pour désactiver la fonction de recherche Bluetooth, appuyez sur le bouton d'alimentation pendant 3 s. Le voyant lumineux s'allume alors en rouge.

3. Lors du couplage, le voyant lumineux clignote en bleu deux fois par seconde, puis reste allumé en bleu une fois le couplage terminé.

Remarque : cet appareil se connecte au dispositif Bluetooth le plus proche. Si, après 2 min, aucune enceinte Bluetooth n'a été détectée pour le couplage, le Bluetooth est désactivé et le voyant devient rouge.

4. Pour annuler le couplage avec l'enceinte acoustique Externe Bluetooth, appuyez longuement sur le bouton d'alimentation pendant 3 s ou désactivez le couplage Bluetooth sur votre enceinte acoustique externe ou casque d'écoute

*« Ce produit est doté d'une fonction de **transmission** bluetooth, **vous ne pouvez pas l'utiliser pour recevoir un son bluetooth** : cela signifie que vous pouvez transmettre sans fil un signal sonore bluetooth à un appareil externe comme un haut-parleur bluetooth, un casque bluetooth, un système audio avec réception bluetooth,... ».*

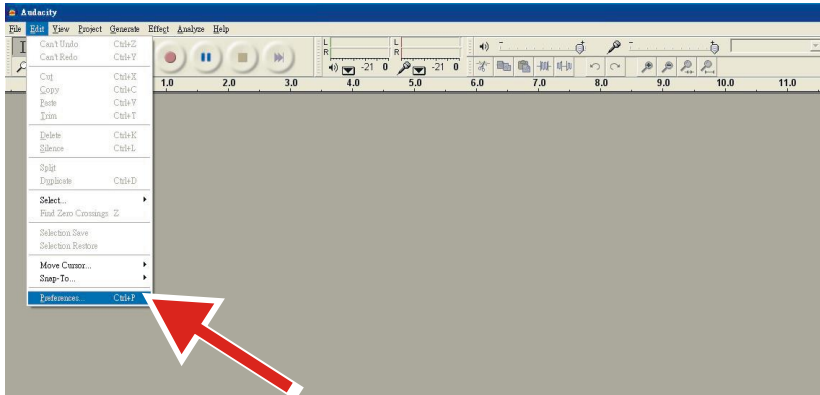
### **Vue d'ensemble du logiciel Audacity**

Audacity est un logiciel gratuit, licencié sous GNU Licence Publique Générale (GPL). Plus d'informations, de même que le code de source ouverte peuvent être trouvés sur le Web à <https://www.audacityteam.org/download/>

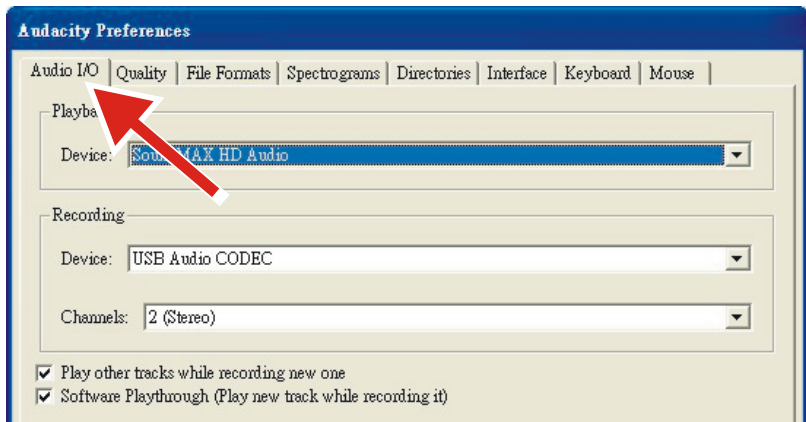
- \* **Veillez vous assurer que vous avez installé le logiciel avant de commencer.**

**Paramétrer votre PC avant de travailler avec Audacity**

1. Connecter une source d'entrée à l'unité.
2. Connecter la fiche USB sur votre ordinateur.
3. Installer le logiciel d'enregistrement Audacity.
4. Ouvrir le programme Audacity.
5. Sélectionner Preference (Préférence) sur Edit (Modifier) dans le Menu Audacity.



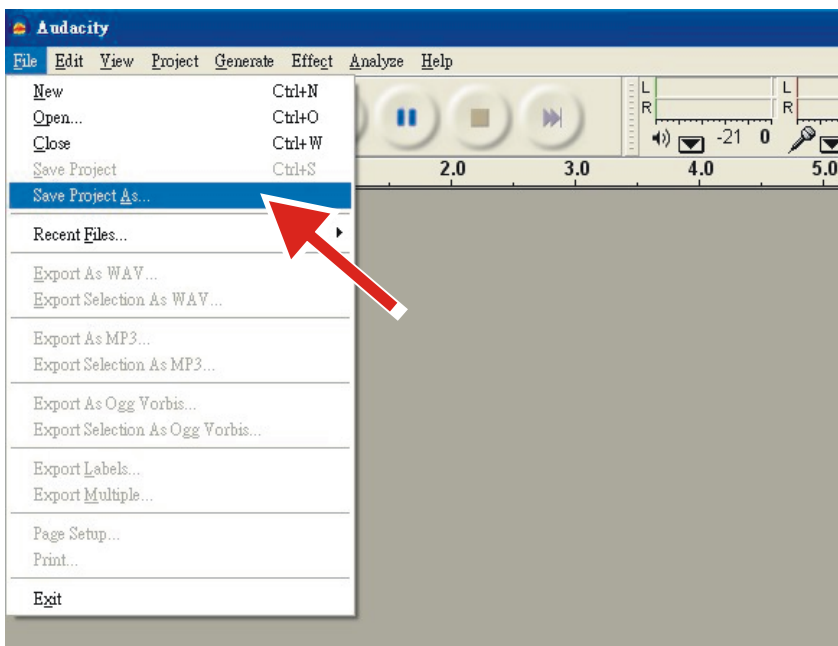
6. Sélectionner **Audio I/O** (M/A audio) en haut à gauche.
  - Sous Lecture, Appareil, sélectionner **votre internal sound card**.
  - Sous Enregistrement, Appareil, sélectionner **USB Audio CODEC** (CODEC audio USB).
  - Sous Enregistrement, Canaux, sélectionner **2 (Stereo)** (2 (stéréo)).
  - Vérifier la case marquée **Play other tracks while recording new one** (Jouer d'autres morceaux pendant l'enregistrement d'un nouveau).
  - Vérifier la case marquée **Software Playthrough** (Jouer dans le logiciel).



## Enregistrement d'album avec Audacity

### 1. Sauvegarde d'un projet


- Audacity inscrit tous les audios changés et enregistrés sur un répertoire appelé **Projectname\_data**, situé à droite d'où vous avez sauvegardé le fichier de projet lui-même.
- Puis, sélectionner **Save Project as** (Sauvegarder le projet sous) sur le Fichier Audacity, et choisir un endroit et un nom de fichier pour votre projet.
- veuillez noter que lorsque vous démarrez Audacity pour la première fois, seule l'option "**Save As...**" (Sauvegarder sous...) est disponible.




## 2. Comment enregistrer

- Mettre le tourne-disque en état de jouer un morceau ou un album que vous voulez enregistrer.



- Cliquer sur la touche Enregistrement  commencer à enregistrer.
- Abaisser le bras sur l'album posé sur le tourne-disque USB et chercher ce que vous désirez enregistrer.



- Cliquer sur la touche bleue de Pause  pour interrompre l'enregistrement. Réappuyer dessus pour reprendre.

- Cliquer sur la touche jaune Arrêt.



Voilà. Vous pouvez maintenant vous amuser avec votre enregistreur et explorer les capacités d'Audacity. Rappelez-vous que vous pouvez utiliser la fonction Undo pratiquement sans limite quand le projet est ouvert.

**REMARQUE :** Le CD ne peut pas être imprimé directement depuis l'application Audacity. D'autres applications d'impression de CD doivent être utilisées.

**Remarque :** Pour les opérations avancées, voir les instructions dans CD.

### Entretien et nettoyage

Votre tourne-disque nécessite peu d'entretien régulier. Dépoussiérez à l'aide d'un chiffon antistatique légèrement humide. N'utilisez jamais un chiffon sec, cela crée de l'électricité statique et attire encore plus de poussière ! Les produits de nettoyage antistatiques sont disponibles dans des magasins spécialisés, mais doivent être appliqués avec modération pour éviter d'endommager les pièces en caoutchouc. Il est recommandé d'installer le protège-aiguille avant de procéder à un nettoyage ou à un entretien afin d'éviter tout dommage.

Si le tourne-disque ne va pas être utilisé pendant une longue période, il faut retirer la courroie d'entraînement pour éviter tout allongement non uniforme.

**REMARQUE :** Avant toute maintenance, débranchez toujours le tourne-disque par mesure de précaution !

## Conseils Utiles

Le tourne-disque doit être placé sur une surface à faible résonance, telle que du bois ou des panneaux multicouches, afin d'éviter les vibrations structurelles perturbant la lecture.

### Remplacement de l'aiguille de lecture

1. Avant le remplacement, placez le capuchon de protection de l'aiguille pour éviter de l'endommager pendant le remplacement.
2. Retirez délicatement les fils du porte-pointe de lecture d'origine.
3. Desserrez les deux vis sur la tête qui fixent la cellule de lecture, puis retirez la cellule de lecture d'origine.
4. Installez la nouvelle cellule de lecture sur la coquille et le serrer légèrement. Ne serrez pas complètement les vis pour le moment.
5. Connectez les fils aux bornes de la nouvelle cellule de lecture.

Les codes couleur des fils sont les suivants :

Blanc Canal gauche positif (L+)

Noir Canal gauche négatif (L-)

Rouge Canal droit positif (R+)

Noir Canal droit négatif (R-)

6. Ajustez la position de la cellule de lecture pour qu'il soit aligné avec précision sur la tête afin que l'aiguille puisse suivre parfaitement les rainures en parallèle.

Pour cela, placez le rapporteur d'alignement de porte-pointe de lecture en papier fourni sur l'axe du tourne-disque, soulevez délicatement le bras de lecture et placez l'aiguille sur les points marqués respectivement à 130 mm et 250 mm. Ajustez la position du porte-pointe de lecture sur la tête jusqu'à ce qu'il soit parfaitement parallèle aux lignes de référence aux deux points.

7. Serrez complètement les vis une fois l'alignement parfait atteint.

REMARQUE : Si vous n'êtes pas familier ou vous avez des difficultés avec cette procédure, il est recommandé de consulter un professionnel pour effectuer l'installation.

#### **Caractéristiques techniques :**

Vitesses nominales	33 1/3 et 45 RPM
Écart de vitesse	± 1%
Fluctuations de vitesse	≤ 0,15%
Signal sur bruit	55dB
Plage de la force d'abaissement	3 - 6 g
Longueur effective du bras de lecture	8,6" (218,5mm)
Porte-à-faux	0,73 po
Puissance consommée	5W (Max)
Alimentation externe	12V/500mA CA-CC
Dimensions (L x H x P)	420 x 360 x 125 mm
Poids	4,8 kg

#### **Caractéristiques techniques : AT-3600L (audio-technica)**

Plage de fréquence	20 Hz à 20 kHz
Résistance de charge recommandée	47 kOhm
Equilibre de canal	<2,5dB
Connexion d'amplificateur	MM - Entrée
Séparation de canal	>18dB
Force d'appui recommandée	3,0±0,5g
Tension de sortie	2,5mV
Poids	5g

#### **Conditions d'utilisation et de défaillance incorrectes**

Ces tourne-disques sont fabriqués selon les normes les plus strictes et sont soumis à des contrôles de qualité stricts avant de quitter l'usine. Les pannes éventuelles ne sont pas nécessairement dues à des défauts matériels ou de



production, mais peuvent parfois être dues à une utilisation incorrecte ou à des conditions inappropriées. Ainsi, la liste suivante des symptômes de panne courants est incluse.

**La platine ne tourne pas bien que l'unité soit allumée :**

- L'unité n'est pas branchée à l'alimentation secteur.
- Pas de puissance à la sortie.
- La courroie d'entraînement n'est pas installée ou s'est détachée.
- L'appareil est automatiquement passé en mode veille. Allumez-le à nouveau.

**Pas de signal via l'un des canaux ou des deux canaux :**

- Entrée phono non sélectionnée au niveau de l'amplificateur.
- Amplificateur non allumé.
- Le son est coupé au niveau de l'amplificateur ou des enceintes.
- Les enceintes ne sont pas connectées.
- Pas de connexion entre le tourne-disque et l'amplificateur.
- Les fils ne sont pas connectés au porte-pointe de lecture.

**Fort bourdonnement au niveau de l'entrée phono :**

- Le porte-pointe de lecture, bras ou fils du bras à l'amplificateur ou boucle de terre non mis à la terre.
- Le tourne-disque est trop proche des enceintes.

**Son déformé ou incohérent provenant d'un ou des deux canaux :**

- Le tourne-disque est connecté à une mauvaise entrée de l'amplificateur.
- Aiguille ou porte-aiguille endommagé.
- La courroie d'entraînement est trop tendue ou sale.
- Roulement non lubrifié, sale ou endommagé.
- Poussière sur l'aiguille.
- Le commutateur MM/MC du pré-amplificateur est mal positionné.

**Remarque : Pour les mesures d'économie d'énergie en relation avec les exigences de l'ErP Niveau 2, une unité branchée au secteur se met automatiquement en mode veille si aucune musique n'a été diffusée pendant environ 20 minutes.**

**Donc, si votre unité s'éteint régulièrement, ceci n'est pas un défaut.**

Adaptateur de puissance

Fabricant : BRIGHTPOWER OPTOELECTRONIC TECHNOLOGY CO., LTD

Numéro du modèle : SW1200500-FM

Input voltage: 100-240V

Input AC frequency: 50/60Hz

Output voltage: DC 12V

Output current: 0.5A

Output Power: 6W

Average active efficiency: 79.62%

Efficiency at low load (10%): 70.40%

No load Power consumption: 0.073W

Utilisez uniquement l'alimentation électrique indiquée dans le mode d'emploi

## **Garantie**

Lenco propose un service et une garantie conformément à la législation européenne, ce qui signifie qu'en cas de besoin de réparation (aussi bien pendant et après la période de garantie), vous pouvez contacter votre revendeur le plus proche.

Remarque importante : Il n'est pas possible de renvoyer l'appareil pour réparation directement à Lenco.

Remarque importante : Si l'appareil est ouvert ou modifié de quelque manière que ce soit par un réparateur non agréé, la garantie serait caduque. Cet appareil ne convient pas à une utilisation professionnelle. En cas d'utilisation professionnelle, les obligations de garantie du fabricant seront annulées.

## Clause de non-responsabilité

Des mises à jour du logiciel et/ou des composants informatiques sont régulièrement effectuées. Il se peut donc que certaines instructions, caractéristiques et images présentes dans ce document diffèrent légèrement de votre configuration spécifique. Tous les articles décrits dans ce guide sont fournis uniquement à des fins d'illustration et peuvent ne pas s'appliquer à une configuration spécifique. Aucun droit légal ne peut être obtenu depuis les informations contenues dans ce manuel.

## Mise au rebut de l'appareil usagé



Ce symbole indique que le produit électrique concerné ainsi que les piles ne doivent pas être jetés avec les autres déchets ménagers en Europe. Pour garantir un traitement correct des piles et de l'appareil usagés, veuillez les mettre au rebut conformément aux réglementations locales en vigueur relatives aux appareils électriques et autres piles. En agissant

de la sorte, vous contribuerez à la préservation des ressources naturelles et à l'amélioration des niveaux de protection environnementale concernant le traitement et la destruction des déchets électriques (directive sur les déchets des équipements électriques et électroniques).

## DECLARATION DE CONFORMITE

Le soussigné, Commaxx, déclare que l'équipement radioélectrique du type [Lenco LBT-188 (V2) / LBT-189 / LBT-288] est conforme à la directive 2014/53/UE. Le texte complet de la déclaration UE de conformité est disponible à l'adresse internet suivante:

[https://commaxx-certificates.com/doc/lbt-188\\_doc.pdf](https://commaxx-certificates.com/doc/lbt-188_doc.pdf)

Type RF	Bande de fréquences (MHz)	Puissance (dBm)
Bluetooth	2402-2480	<6

### **Service après-vente**

Pour en savoir plus et obtenir de l'assistance, visitez [www.lenco.com](http://www.lenco.com)

Commax B.V. Wiebachstraat 37, 6466 NG, Kerkrade, Pays-Bas.

**PRECAUCIÓN:**

El uso de controles o ajustes o rendimiento de procedimientos excepto aquellos que los aquí especificados puede provocar una exposición peligrosa a la radiación.

**PRECAUCIONES PREVIAS AL USO**

---

**TENGA ESTAS INSTRUCCIONES EN MENTE:**

1. No cubra o bloquee ninguna apertura de ventilación. Cuando coloque el dispositivo en una estantería, deje 5 cm (2") de espacio libre alrededor de todo el dispositivo.
2. Instálelo conforme al manual de usuario que se adjunta.
3. Mantenga el aparato alejado de fuentes de calor, como radiadores, calentadores, estufas, velas u otros productos que generen calor o llama viva. El aparato solo puede usarse en climas moderados. Se deben evitar los ambientes extremadamente fríos o cálidos. La gama de temperatura de funcionamiento es de entre 0° y 35°C.
4. Evite usar el dispositivo cerca de campos magnéticos fuertes.
5. Una descarga electrostática puede entorpecer el uso normal de este dispositivo. En tal caso, simplemente reinicielo siguiendo el manual de instrucciones. Durante la transmisión de archivos, por favor manéjelo con cuidado opérelo en un entorno libre de electricidad estática.
6. ¡Advertencia! Nunca inserte un objeto en el producto a través de las ventilaciones o aperturas. Alto voltaje fluye a través del producto e insertar un objeto puede provocar una descarga eléctrica y/o un cortocircuito de sus componentes internos. Por el mismo motivo, no derrame agua o líquidos en el producto.
7. No lo utilice en zonas húmedas, como cuartos de baño, cocinas en las que se forme vapor ni cerca de piscinas.
8. El aparato no debe exponerse a goteos o salpicaduras y asegúrese de que se colocan sobre o cerca del aparato objetos llenos de líquidos, como jarrones.
9. No use este dispositivo cuando se pueda producir condensación. Cuando la unidad se usa en una sala húmeda cálida, se pueden formar gotitas de agua o condensación en el interior de la unidad y esta puede no funcionar adecuadamente; deje que la unidad se apague durante 1 o 2 horas antes de volver a encender la unidad: el aparato debe estar seco antes de conectarse a una fuente de alimentación.

10. Aunque este dispositivo está fabricado con el máximo cuidado y comprobado varias veces antes de salir de fábrica, todavía es posible que se puedan producir problemas, al igual que con todos los aparatos eléctricos. Si observa la aparición de humo, una acumulación excesiva de calor o cualquier otro fenómeno inesperado, deberá desconectar inmediatamente el enchufe de la toma de corriente.
11. Este dispositivo debe funcionar con una fuente de alimentación que se especifica en la etiqueta de especificaciones. Si no está seguro del tipo de alimentación que se usa en su hogar, consulte con el distribuidor o una compañía eléctrica local.
12. Manténgalo alejado de los animales. A algunos animales les encanta morder los cables de alimentación.
13. Para limpiar el dispositivo use un paño seco y suave. No utilice líquidos disolventes ni con base de petróleo. Para eliminar manchas difíciles, puede usar un paño húmedo con detergente diluido.
14. El proveedor no asume ninguna responsabilidad por daños o datos perdidos provocados por un funcionamiento incorrecto, uso incorrecto, modificación del dispositivo o sustitución de la batería.
15. No interrumpa la conexión cuando el dispositivo esté formateando o transfiriendo archivos. En caso contrario, los datos se pueden estropear o perder.
16. Si la unidad dispone de función de reproducción USB, se debe conectar la memoria USB directamente en la unidad. No utilice un cable de extensión USB ya que pueden crear interferencias que causen una pérdida de datos.
17. La etiqueta calificativa se encuentra en la parte inferior o en el panel posterior del aparato.
18. Este dispositivo no está diseñado para su uso por parte de personas (incluyendo niños) con discapacidad física, sensorial o mental o con falta de experiencia o conocimientos, salvo que se les haya dado supervisión o instrucciones acerca del uso correcto del dispositivo por parte de una persona responsable de su seguridad.
19. Este producto está diseñado para un uso no profesional únicamente y no para un uso comercial o industrial.
20. Asegúrese de que la unidad esté fijada en una posición estable. La garantía no cubrirá los daños derivados de usar este producto en una posición inestable, vibraciones o golpes o por no seguir otras advertencias o precauciones que aparecen en este manual de usuario.
21. Nunca retire la carcasa del dispositivo.

22. Nunca coloque este dispositivo sobre otro equipo eléctrico.
23. Mantenga las bolsas de plástico fuera del alcance de los niños.
24. Use únicamente los dispositivos/accesorios especificados por el fabricante.
25. Remita todas las reparaciones al personal cualificado. Es necesario el mantenimiento cuando el aparato presenta cualquier tipo de daño, por ejemplo, el cable de alimentación o el enchufe presentan daños; se ha vertido líquido sobre el aparato; se han caído objetos en el aparato; el aparato se ha expuesto a la lluvia o humedad; el aparato no funciona normalmente o se ha caído.
26. Una larga exposición a sonidos elevados de reproductores de música personales puede provocar una pérdida de audición temporal o permanente.
27. Si el producto viene con un cable de alimentación o un adaptador de corriente de CA:
  - Si se produce cualquier problema, desconecte el cable de alimentación CA y remítalo a mantenimiento por parte de personal cualificado.
  - No pise o pince el adaptador de alimentación. Tenga mucho cuidado, en especial en las zonas alrededor de las tomas y el punto de salida del cable. No coloque objetos pesados en el adaptador de alimentación, ya que pueden dañarlo. ¡Mantenga el dispositivo fuera del alcance de los niños! Si juegan con el cable de alimentación, puede sufrir lesiones graves.
  - Desconecte el dispositivo durante tormentas eléctricas o cuando no vaya a usarse durante periodos prolongados de tiempo.
  - La salida de la toma debe instalarse cerca del equipo y debe ser fácilmente accesible.
  - No sobrecargue las tomas CA o los cables de extensión. La sobrecarga puede provocar un incendio o una descarga eléctrica.
  - Los dispositivos con construcción de Clase 1 deben estar conectados a una toma de corriente con una conexión a tierra protegida.
  - Los dispositivos con construcción de Clase 2 no requieren una conexión a tierra.
  - Sujete siempre el enchufe cuando los extraiga de la toma de corriente. No tire del cable de alimentación. Esto puede provocar un cortocircuito.



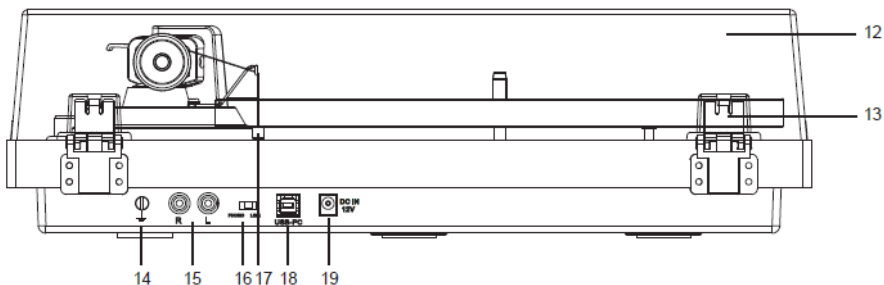
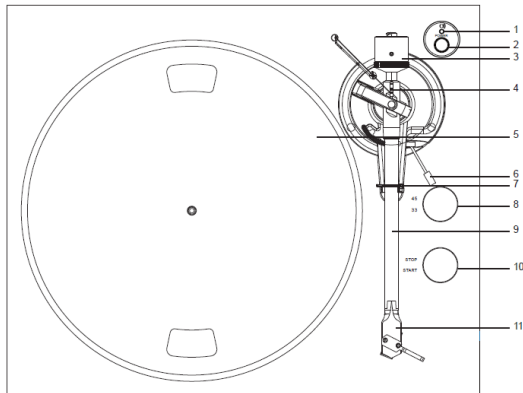
- No utilice un cable de alimentación o enchufe deteriorado o una toma suelta. Si lo hace, podría provocar un incendio o una descarga eléctrica.
28. Si el producto contiene o se entrega con un mando a distancia que contiene pilas de botón / celdas:  
Advertencia:
- “Ni ingiera la pila, riesgo de quemadura química” o frase equivalente.
  - [El mando a distancia que se suministra] Este producto contiene una pila de tipo botón/moneda. Si la pila se traga, puede provocar graves quemaduras internas en sólo 2 horas y podría ocasionar la muerte.
  - Mantenga las pilas nuevas o usadas fuera del alcance de los niños.
  - Si el compartimiento de las pilas no se cierra correctamente, deje de usar el producto y no lo deje al alcance los niños.
  - Si tiene la sospecha de que una pila ha sido ingerida o se encuentra en algún lugar del cuerpo, busque inmediatamente atención médica.
29. Precaución sobre el uso de las pilas:
- Existe riesgo de explosión si la pila no se sustituye correctamente. Sustitúyala únicamente con otra del mismo tipo u otro equivalente.
  - No se pueden exponer las pilas a temperaturas extremadamente altas o bajas, baja presión de aire a gran altitud durante el uso, almacenamiento o transporte.
  - Si cambia la pila por otra que no sea la correcta, se puede producir una explosión o la fuga de líquidos o gases inflamables.
  - Si arroja la pila al fuego o a un horno caliente, o aplasta o corta mecánicamente una pila, podría provocar una explosión.
  - Si deja una pila en un lugar con temperaturas extremadamente altas, se puede producir una explosión o una fuga de líquido o gas inflamable.
  - Si se expone la pila a una presión de aire extremadamente baja, se puede producir una explosión o la fuga de líquidos o gases inflamables.
  - Se debe prestar atención a los aspectos medioambientales sobre la eliminación de baterías.

## INSTALACIÓN

- Desembale todas las piezas y retire el material protector.
- No conecte la unidad a la corriente eléctrica antes de comprobar la tensión de la corriente y antes de que se hayan hecho todas las demás conexiones.

## COMPONENTES, CARACTERÍSTICAS Y CONEXIONES

1. Indicador de encendido y de Bluetooth
2. Botón de encendido
3. Contrapeso
4. Varilla de antideslizamiento
5. Bandeja del tocadiscos
6. Palanca elevadora del brazo de lectura
7. Soporte del brazo de lectura
8. Selector de 33/45
9. Brazo de lectura
10. Rueda de inicio/parada
11. Cartucho



- |                              |                                  |
|------------------------------|----------------------------------|
| 12. Tapa                     | 16. Interruptor PHONO y Line Out |
| 13. Bisagra de la tapa       | 17. Peso de antideslizamiento    |
| 14. Conector a tierra        | 18. Puerto USB-PC                |
| 15. Entrada PHONO y Line Out | 19. Toma de corriente CA-CC      |

Compruébelo bien y asegúrese de que encuentra los siguientes elementos que se adjuntan con el envase:

- |  |   |
|--|---|
| 1) Unidad  | 7) Manual de instrucciones                  |
| 2) Adaptador con extremo de toma de UE-Reino Unido | 8) Transportador de alineación de cartuchos |
| 3) Contrapeso                                      | 9) Cable USB-PC                             |
| 4) Plato con correa                                | 10) 2 gomas de repuesto de la tapa          |
| 5) Adaptador 45 RPM                                | 11) Contrapeso antideslizamiento            |
| 6) Alfombrilla del tocadiscos                      | 12) Cable Line out                          |

Este tocadiscos se entrega con un cartucho instalado y ajustado en fábrica.

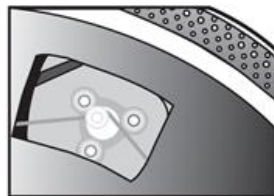
\*\*Se proporcionan las siguientes instrucciones para ajustar el cartucho en caso de que se sustituya el cartucho por un modelo diferente más adelante.

### Instalación de la tapa

Instale la **tapa** con cuidado sobre las puntas del quicio.

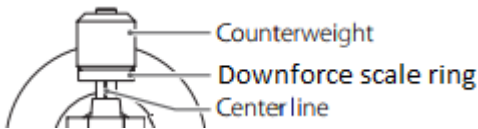
### Configuración del plato del tocadiscos y la correa

1. Instale la correa sobre el anillo interno bajo el palto y asegúrese de que no se caiga durante la instalación.
2. Coloque el plato a través del eje del tocadiscos y posteriormente gire el plato hasta que vea la polea motora de la correa a través de la ventana situada en la esquina superior izquierda.



3. Sujete con cuidado la correa y colóquela alrededor de la ranura de la polea del motor.
4. Conecte el adaptador de alimentación al tocadiscos y encienda el tocadiscos.
5. Fije el interruptor de arranque / parada del motor a la posición de inicio para ver si gira el motor del plato. Si el plato no gira, vuelva a probar los pasos que se enumeran arriba.

### Ajuste de fuerza descendente del cartucho



EN	ES
Counterweight	Contrapeso
Downforce scale ring	Anillo de escala de fuerza descendente
Center line	Línea central

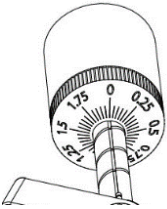
El **Contrapeso** que se suministra es apto para cartuchos que pesen entre 3.0-6.0g.

- Empuje suavemente y gire el contrapeso hacia la parte posterior del brazo (con la escala dando hacia la parte delantera del tocadiscos).
- Retire el tapón de protección del cartucho.
- Baje el brazo y coloque el cartucho en el espacio entre el soporte del brazo y el plato.

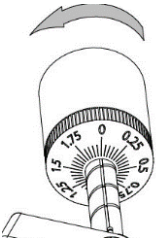
Gire con cuidado el **contrapeso** hasta que el brazo se equilibre. El brazo debe volver a la posición equilibrada si se mueve hacia arriba o hacia abajo. Este ajuste debe hacerse con cuidado.



- Una vez que el brazo está correctamente equilibrado devuélvalo a su soporte. Sujete el **contrapeso** sin moverlo y suavemente gire el anillo de **la escala de fuerza descendente** hasta que el cero esté en línea con la línea negra situada en la parte posterior **brazo**. Compruebe si el brazo todavía está nivelado.



- Gire el contrapeso en dirección antihoraria (visto desde el frente) para ajustar la fuerza descendente conforme a las recomendaciones del fabricante del cartucho. Una marca en la escala representa 0.05g de fuerza descendente.

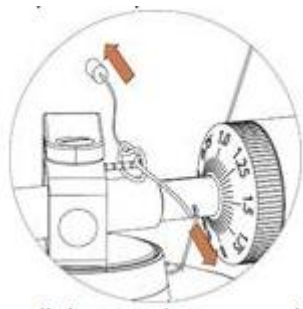


**NOTA:** La fuerza descendente recomendada para el cartucho instalado en fábrica es de  $3.0 \pm 0.5g$ .

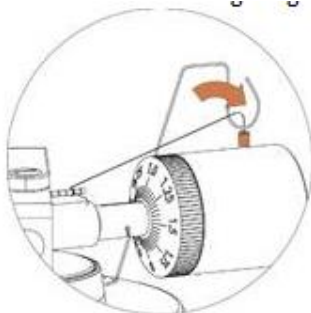
## Coloque el peso antideslizamiento

Encontrará un peso antideslizamiento con un pequeño estrobo de sujeción del paquete, siga los pasos que se indican a continuación para colocar el peso antideslizamiento:

1. Deslice el extremo enrollado del estrobo de sujeción sobre la tornamesa de ajuste de peso antideslizamiento y en la 3ª ranura (la fuerza antideslizamiento correcta para el cartucho equipado de fábrica).



2. Tire levemente del peso antideslizamiento para que la tira del estrobo de sujeción pueda moverse hacia la tornamesa.
3. Levante el peso antideslizamiento sobre el soporte del cable del peso antideslizamiento. En este momento el peso antideslizamiento debe colgar en el espacio libre que hay a la izquierda del soporte.



Deslice el bucle del roscado del peso antipatinazo sobre el 3º surco de la

punta para fijar la fuerza antipatinazo correcta para el cartucho instalado en fábrica. Alimente el roscado a través del bucle del soporte del cable.

### Ajuste de la fuerza antideslizamiento

Debe ajustarse la fuerza antideslizamiento en correspondencia con la fuerza descendente de la manera siguiente:

<u>Fuerza descendente</u>	<u>Ranura en la tornamesa</u>
2 - 2,5 g	1º desde los anillos del cojinete
2,5 - 3 g	2ª " " "
3 - 3,5 g	3ª " " "
3,5 - 4 g	4º " " "



Deslice el bucle del roscado del peso antideslizamiento sobre el 3ª ranura de la tornamesa para fijar la fuerza antideslizamiento correcta para el cartucho instalado en fábrica. Alimente el roscado a través del bucle del soporte del cable.

### Conexión del sistema estéreo

#### Tomas RCA

Ambas clavijas RCA de esta unidad se utilizan como clavijas de salida Phone y clavijas de salida Line. Se determinan por medio del interruptor Phono/Line.

Cuando se utilizan como salida Line, las clavijas emiten señales analógicas de nivel de línea y se pueden conectar directamente con un par de altavoces activos o a la entrada correcta de su sistema estéreo. Cuando se utilizan como salida Phono, se deben conectar al preamplificador Phono o la entrada Phono del sistema estéreo.

La toma Roja se conecta con el canal derecho y la toma Blanca se conecta con el canal izquierdo.

Nota:

Si se establece el interruptor Phono/Line a la posición LINE pero se conectan las clavijas RCA a la entrada Phono del sistema estéreo, es posible que se distorsione el sonido debido a una sobrecarga de entrada y su sistema estéreo se podría averiar.

Si se establece el interruptor Phono/Line a la posición PHONO pero conecta las clavijas RCA a la entrada Line del sistema estéreo, el volumen será muy bajo debido a la falta de preamplificación de señal.

La clavija RCA no está diseñada para poderse conectar directamente a altavoces pasivos/sin alimentación y, si lo hace, el volumen será muy bajo.

### **Conexión a la corriente**

El adaptador de alimentación se encuentra en el material del envase de espuma. Desembale el adaptador de alimentación y conecte el extremo pequeño del **adaptador de alimentación CC** situado en el lateral posterior del tocadiscos. Conecte el adaptador de alimentación a la salida de corriente.

### **Funcionamiento**

#### **Funcionamiento del tocadiscos**

1. Conecte el adaptador de corriente provisto a la unidad y pulse el botón de encendido (2) para encender el tocadiscos.
2. Retire la cubierta de la aguja del cartucho.
3. Coloque la alfombrilla antideslizante sobre el plato y coloque un disco sobre la alfombrilla. Si usa discos de 45 RPM, coloque el adaptador de 45 RPM en el eje central antes de colocar el disco sobre el plato.
4. Fije el selector de 33/45 RPM conforme al tipo de disco.
5. Gire el dial de inicio/parada a la posición de Inicio para empezar a hacer girar el plato.



6. Desbloquee la sujeción del brazo y fije la palanca de levantamiento en la posición arriba.
7. Coloque el brazo sobre la ubicación del disco que desee (surco).
8. Mueva la palanca de levantamiento del brazo a la posición descendente para mover el brazo hasta el disco. De forma alternativa, coloque la aguja sobre la ubicación del disco que desee.
9. Baje con cuidado el brazo sobre el disco.
10. Cuando haya terminado de reproducir el disco, levante el brazo y devuélvalo al soporte sobre la fijación del brazo y gire el dial de inicio parada a la posición Parada.
11. Pulse el botón de encendido para apagar la unidad.

### **Funcionamiento Bluetooth**

Esta unidad tiene un transmisor de Bluetooth para enviar el sonido a un altavoz o unos auriculares Bluetooth de forma inalámbrica.

1. Encienda el altavoz Bluetooth y asegúrese de que está en modo emparejamiento.
2. Encienda el tocadiscos con el botón de encendido (2). El indicador LED (1) se encenderá primero en rojo y luego parpadeará en azul durante la búsqueda de un altavoz externo o unos auriculares por Bluetooth.

Nota: si quiere desactivar la función de búsqueda por Bluetooth, puede pulsar el botón de encendido durante 3 segundos; el indicador LED se encenderá en rojo.

3. Durante el emparejamiento, la luz LED azul parpadeará dos veces por segundo; cuando finalice el emparejamiento, permanecerá encendida en azul;

Nota: Esta unidad se conectará al Bluetooth más cercano. Si no se encuentra ningún altavoz Bluetooth después de 2 minutos, el transmisor Bluetooth se desactivará y el LED se encenderá en rojo.

4. Para desactivar el emparejamiento, mantenga pulsado el botón de encendido durante 3 segundos o apague el Bluetooth del altavoz externo o los auriculares.

*«Este producto dispone de una función de **transmisión bluetooth**, **no puede recibir ningún sonido bluetooth en ella**: esto significa que puede transmitir de forma inalámbrica una señal de sonido bluetooth a un dispositivo externo como un altavoz bluetooth, auriculares bluetooth, sistema de audio con recepción bluetooth,...»*

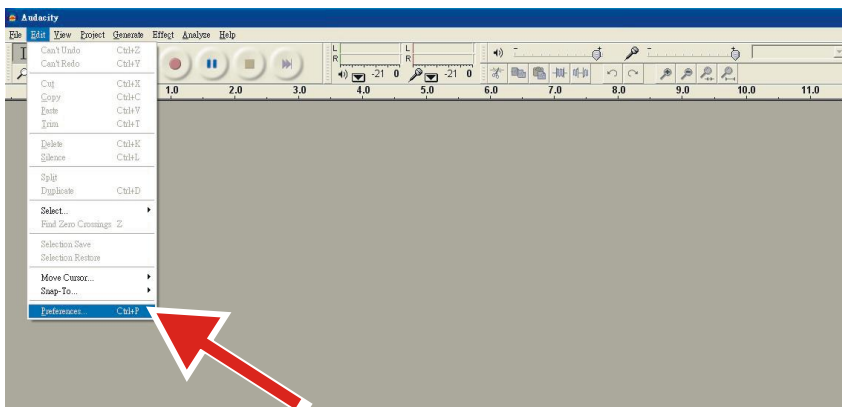
## **RESUMEN DEL SOFTWARE AUDACITY**

Audacity es un software gratuito con la Licencia Pública General (GPL, por sus siglas en inglés) de GNU. Puede encontrar más información y el código fuente abierto en la página web <https://www.audacityteam.org/download/>

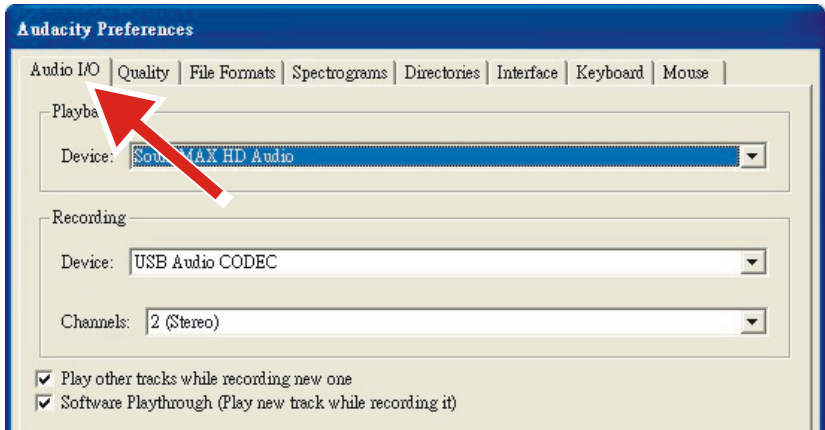
**\* Asegúrese de instalar el software antes de empezar.**

### **Configurar el PC para trabajar con Audacity**

1. Conecte una fuente de entrada a la unidad.
2. Conecte el cable USB al ordenador.
3. Instale el software de grabación Audacity.
4. Abra el programa Audacity.
5. Seleccione Preference (Preferencias) en la pestaña Edit (Editar) del menú de Audacity.



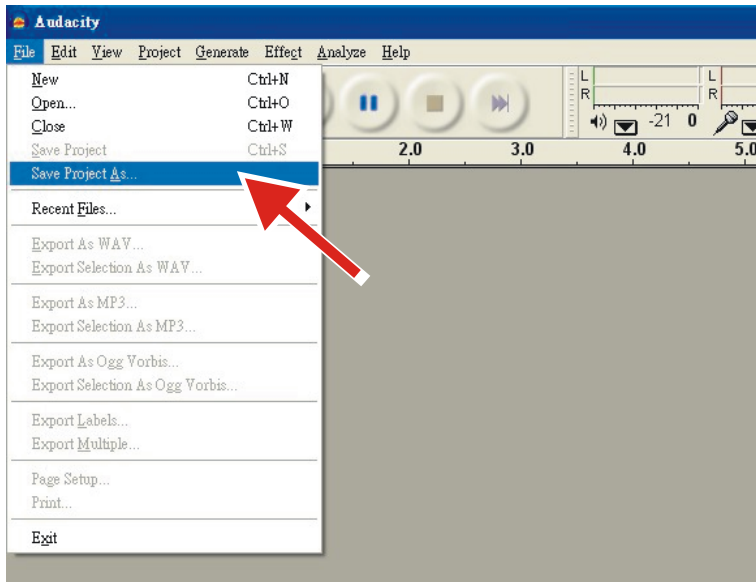
6. Seleccione la pestaña **Audio I/O** (E/S de audio) en la esquina superior izquierda.
  - En Reproducción, Dispositivo, seleccione **su tarjeta de sonido interna**.
  - En Grabación, Dispositivo, seleccione **Códec de audio USB** (USB Audio CODEC).
  - En Grabación, Canales, seleccione **2 (Stereo)** (2 (Estéreo)).
  - Marque la casilla **Play other tracks while recording new one** (Reproducir otras pistas mientras se graba una nueva).
  - Marque la casilla **Software Playthrough** (Playthrough de software).




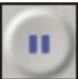

## Grabar álbumes con Audacity

### 1. Guardar un proyecto

- Audacity escribe todo el audio grabado y modificado en un directorio llamado **Projectname\_data**, ubicado donde se guardó el archivo de proyecto.
- Por tanto, seleccione **Save Project as** (Guardar proyecto como) en la pestaña Archivo (File) de Audacity y elija una ubicación y nombre de archivo para el proyecto.
- Tenga en cuenta que cuando inicie Audacity por primera vez sólo estará disponible la opción **"Save As..."** (Guardar como...) en el menú.



## 2. Cómo grabar

- Ajuste el tocadiscos USB para reproducir la canción o álbum que desea grabar.
- Pulse el botón rojo  para empezar a grabar.  
de Grabar
- Baje el brazo del tocadiscos USB sobre el álbum y la pista que desea grabar.
- Pulse el botón azul  para pausar la grabación. Vuelva a pulsarlo para de Pausa continuar.
- Pulse el botón amarillo de Parar. 

Ya está. Ahora puede practicar con las grabaciones y probar las opciones de edición de Audacity. Recuerde que puede usar la función Deshacer de forma casi ilimitada mientras el proyecto esté abierto.

**NOTA:** No se pueden grabar CD directamente con la aplicación Audacity. Deberá usar otras aplicaciones de grabación de CD.

**Observaciones:** Para otras opciones avanzadas, consulte las instrucciones del CD.

## **Mantenimiento y limpieza**

El tocadiscos requiere poco o ningún mantenimiento regular. Retire el polvo con un paño antiestático ligeramente húmedo. Nunca use un paño seco; esto creará electricidad estática y atraerá más polvo. Dispone de agentes limpiadores antiestáticos en tiendas especializadas, pero deben aplicarse con moderación para evitar dañar las piezas de goma. Se recomienda instalar la cubierta de la aguja antes de realizar la limpieza o mantenimiento para evitar daños.

Si el tocadiscos no va a usarse durante un periodo prolongado de tiempo, se debe retirar la correa para evitar un estiramiento desigual.

NOTA: Desconecte siempre el reproductor de discos de la alimentación como precaución antes de realizar el mantenimiento.

## **Consejos útiles**

El tocadiscos debe colocarse en una superficie con baja resonancia como madera o contrachapado de múltiples capas para evitar las vibraciones estructurales que molestan la reproducción.

## **Sustitución del cartucho**

1. Antes de la sustitución, vuelva a colocar el protector de la aguja en la aguja para evitar daños a la aguja durante el proceso de sustitución.
2. Retire con cuidado los cables del cartucho original.
3. Afloje los dos tornillos de la cubierta que aseguran el cartucho y retire el cartucho original.

4. Monte el nuevo cartucho en la cubierta y apriételo ligeramente. No apriete completamente los tornillos en este punto.
5. Conecte los cables a las terminales del nuevo cartucho. Los códigos de color del cable son los que aparecen debajo:
  - Canal izquierdo positivo blanco (L+)
  - Canal izquierdo negativo negro (L-)
  - Canal derecho positivo rojo (R+)
  - Canal derecho negativo negro (R-)
6. Ajuste la posición del cartucho para asegurarse de que está alineado con precisión a la cubierta de forma que la aguja realizará un seguimiento de los surcos en paralelo a la perfección.

Para conseguirlo, coloque el transportador de alineación del cartucho sobre el eje del tocadiscos; levante con cuidado el brazo y coloque la punta de la aguja sobre los puntos marcados 130mm y 250mm respectivamente. Ajuste bien la posición del cartucho en la cubierta hasta que el cartucho se encuentre perfectamente en paralelo con las líneas de referencia en ambos puntos.
7. Apriete completamente los tornillos una vez que se consiga la alineación perfecta.

NOTA: Si no está familiarizado o no se siente cómodo al completar este procedimiento, recomendamos que consulte a un profesional para que realice la instalación.

### **Especificaciones Técnicas:**

Velocidades nominales	33 1/3 & 45RPM
Variación de velocidad	±1%
Lloro y fluctuación	≤0.15%
Señal a ruido	55dB
Gama de fuerza descendente	3.0-6.0g
Longitud efectiva del brazo	8.6" (218.5mm)
Saliente	0.73in
Consumo de energía	5W (Máximo)
Alimentación del rodamiento	12V/500mA CA-CC
Dimensiones (A x Al x P)	420 x 360 x 125mm
Peso	4.8kgs

### **Especificaciones Técnicas: AT-3600L (audio-technica)**

Respuesta de frecuencia	20Hz-20KHz
Resistencia de carga recomendada	47kohmios
Balance de canal	<2.5dB
Conexión del amplificador	Entrada MM
Separación de canal	>18dB
Fuerza de seguimiento recomendada	3.0±0.5g
Tensión de salida	2.5mV
Peso	5g



### **Uso incorrecto potencial o condiciones de fallo**

Estos tocadiscos están fabricados con los estándares más elevados y se someten a estrictos controles de calidad antes de salir de fábrica. Los fallos que posiblemente se pueden producir no se deben necesariamente a fallos de material o fabricación pero a veces pueden estar ocasionados por un uso incorrecto o por circunstancias desafortunadas. Por lo tanto, se incluye la siguiente lista de síntomas de fallo habituales.

#### **EL plato no gira aunque la unidad está encendida:**

- La unidad no está conectada a la alimentación.
- No hay alimentación en la salida.
- La correa no está instalada o resbala.
- Esta se pondrá automáticamente en modo de espera; luego vuelva a encenderla.

#### **No hay señal a través de uno u otro canal o ambos canales:**

- La entrada del phono no está seleccionada en el amplificador.
- Amplificador sin encender.
- Amplificador o altavoces silenciados.
- No hay conexión a los altavoces.
- No hay conexión entre el tocadiscos y el amplificador.
- Los cables no están conectados al cartucho.

#### **Fuerte zumbido en la entrada del phono:**

- No hay conexión a tierra desde el cartucho, brazo, cable del brazo al amplificador o bucle a tierra.
- Tocadiscos demasiado cerca de los altavoces.

**Sonido distorsionado o inconsistente desde uno o ambos canales:**

- El tocadiscos está conectado a una toma errónea del amplificador.
- Aguja o soporte dañados.
- Correa sobreestirada o sucia.
- Cojinete del plato sin aceite, sucio o con daños.
- Polvo en la aguja.
- Interruptor MM/MC del preamplificador configurado incorrectamente.

**Observación: Debido al ErP Fase 2 sobre las exigencias de medidas de ahorro energético, una unidad que se conecta a la alimentación cambiará automáticamente al modo en espera cuando no se reproduce música durante 20 minutos.**

**Si la unidad se apagar regularmente, no hay defectos.**

Adaptador de alimentación

Fabricante: BRIGHTPOWER OPTOELECTRONIC TECHNOLOGY CO., LTD

Número de modelo: SW1200500-FM

Input voltage: 100-240V

Input AC frequency: 50/60Hz

Output voltage: DC 12V

Output current: 0.5A

Output Power: 6W

Average active efficiency: 79.62%

Efficiency at low load (10%): 70.40%

No load Power consumption: 0.073W

Utilice únicamente la fuente de alimentación indicada en las instrucciones de uso

## Garantía

Lenco ofrece servicio y garantía en cumplimiento con las leyes de la Unión Europea, lo cual implica que, en caso de que su producto precise ser reparado (tanto durante como después del periodo de garantía), deberá contactar directamente con su distribuidor.

Nota importante: No es posible enviar sus reparaciones directamente a Lenco.

Nota importante: Si la unidad es abierta por un centro de servicio no oficial, la garantía quedará anulada.

Este aparato no es adecuado para el uso profesional. En caso de darle un uso profesional, todas las obligaciones de garantía del fabricante quedarán anuladas.

## Exención de responsabilidad

Regularmente se llevan a cabo actualizaciones en el Firmware y en los componentes del hardware. Por esta razón, algunas de las instrucciones, especificaciones e imágenes incluidas en este documento pueden diferir ligeramente respecto a su situación particular. Todos los elementos descritos en esta guía tienen un objetivo de mera ilustración, y pueden no ser de aplicación en su situación particular. No se puede obtener ningún derecho ni derecho legal a partir de la descripción hecha en este manual.

## Eliminación del antiguo dispositivo



Este símbolo indica que no deberá deshacerse del producto eléctrico o batería en cuestión junto con los residuos domésticos, en el ámbito de la UE. Para garantizar un tratamiento residual correcto del producto y su batería, por favor, elimínelos cumpliendo con las leyes locales aplicables sobre requisitos para el desecho de equipos eléctricos y

baterías. De hacerlo, ayudará a conservar recursos naturales y mejorar los estándares de protección medioambiental en el tratamiento y eliminación de residuos eléctricos (Directiva sobre la Eliminación de Equipos Eléctricos y Electrónicos).

### **DECLARACIÓN DE CONFORMIDAD**

Por la presente, Commaxx declara que el tipo de equipo radioeléctrico [Lenco LBT-188 (V2) / LBT-189 / LBT-288] es conforme con la Directiva 2014/53/UE. El texto completo de la declaración UE de conformidad está disponible en la dirección Internet siguiente:

[https://commaxx-certificates.com/doc/lbt-188\\_doc.pdf](https://commaxx-certificates.com/doc/lbt-188_doc.pdf)

Tipo de radiofrecuencia	Rango de frecuencia (MHz)	Potencia (dBm)
Bluetooth	2402-2480	<6

### **Servicio**

Para obtener más información y soporte del departamento técnico, por favor, visite la página web [www.lenco.com](http://www.lenco.com)

Commaxx B.V. Wiebachstraat 37, 6466 NG, Kerkrade h, Países Bajos.

**ATTENZIONE:**

L'utilizzo di controlli o regolazioni o l'esecuzione di procedure diverse da quelle specificate può causare l'esposizione a radiazioni pericolose.

**PRECAUZIONI PRIMA DELL'USO**

---

**CONSERVARE QUESTE ISTRUZIONI:**

1. Non coprire o bloccare le aperture di ventilazione. Quando si posiziona il dispositivo su uno scaffale, lasciare uno spazio libero di 5 cm (2") attorno all'intero perimetro.
2. Installare secondo quanto riportato nel manuale fornito.
3. Tenere il dispositivo lontano da sorgenti termiche come radiatori, termosifoni, stufe, candele e altri prodotti che generano calore o fiamme libere. Il dispositivo può essere utilizzato solo in climi moderati. Evitare ambienti estremamente freddi o caldi. Temperatura operativa compresa tra 0° e 35°C.
4. Evitare l'uso del dispositivo in presenza di forti campi magnetici.
5. Le scariche elettrostatiche possono interferire con il normale utilizzo di questo dispositivo. In tal caso, è sufficiente ripristinare e riavviare il dispositivo seguendo il manuale di istruzioni. Durante la trasmissione di file, maneggiarlo con cura e operare in un ambiente privo di elettricità statica.
6. Avviso! Non inserire mai oggetti nel prodotto attraverso le prese d'aria o le aperture. All'interno del prodotto sono presenti tensioni elevate e l'inserimento di un oggetto può provocare scariche elettriche e/o cortocircuiti. Per lo stesso motivo, non versare acqua o liquidi sul prodotto.
7. Non utilizzare in aree umide o bagnate come bagni, cucine con vapore o piscine.
8. Non esporre il dispositivo a schizzi o gocciolamenti di liquidi; non poggiare sopra o accanto al dispositivo oggetti contenenti liquidi, ad esempio vasi.
9. Non utilizzare questo dispositivo in caso di condensa. Quando l'unità viene utilizzata in una stanza calda e umida, all'interno dell'unità possono formarsi goccioline d'acqua o condensa e l'unità potrebbe non funzionare correttamente; lasciare l'unità spenta per 1 o 2 ore prima di accenderla: l'unità deve essere asciutta prima di essere alimentata.

10. Sebbene questo dispositivo sia fabbricato con la massima cura e controllato più volte prima di lasciare la fabbrica, è comunque possibile che si verifichino problemi come per qualsiasi altra apparecchiatura elettrica. Se si nota fumo, eccessivo accumulo di calore o altri fenomeni imprevisti, scollegare immediatamente la spina dalla presa di alimentazione principale.
11. Questo dispositivo deve funzionare con una fonte di alimentazione con i valori indicati sull'etichetta delle specifiche. Se non si è sicuri del tipo di alimentazione utilizzata in casa, consultare il rivenditore o la compagnia elettrica locale.
12. Tenere fuori dalla portata degli animali domestici, Ad alcuni animali piace mordere i cavi di alimentazione.
13. Per pulire il dispositivo, utilizzare un panno morbido e asciutto. Non usare solventi o liquidi a base di benzina. Per rimuovere le macchie persistenti, è possibile utilizzare un panno umido con detergente diluito.
14. Il fornitore non è responsabile per danni o perdita di dati causati da malfunzionamento, uso improprio, modifica del dispositivo o sostituzione della batteria.
15. Non interrompere la connessione quando il dispositivo sta formattando o trasferendo file. In caso contrario, i dati potrebbero essere danneggiati o andare persi.
16. Se l'unità dispone della funzione di riproduzione USB, la chiavetta USB deve essere collegata direttamente all'unità. Non utilizzare una prolunga USB perché può causare interferenze con conseguenti anomalie dati.
17. L'etichetta di classificazione è stata contrassegnata sul pannello inferiore o posteriore del dispositivo.
18. Questo dispositivo non è destinato all'uso da parte di persone (compresi i bambini) con disabilità fisiche, sensoriali o mentali, o mancanti di esperienza e conoscenza, a meno che non siano sotto supervisione o abbiano ricevuto istruzioni circa l'uso corretto del dispositivo da parte di chi è responsabile per la loro sicurezza.
19. Questo prodotto è destinato esclusivamente all'uso non professionale e non commerciale o industriale.
20. Assicurarsi che l'unità sia collocata in una posizione stabile. I danni causati dall'uso di questo prodotto in una posizione instabile, vibrazioni o urti o la mancata osservanza di qualsiasi altro avvertimento o precauzione indicati in questo manuale utente non saranno coperti da garanzia.

21. Non rimuovere mai la carcassa di questo dispositivo.
22. Non posizionare mai questo dispositivo su altre apparecchiature elettriche.
23. Non permettere ai bambini di accedere ai sacchetti di plastica.
24. Utilizzare solo collegamenti/accessori specificati dal produttore.
25. Rivolgersi a personale qualificato per l'assistenza. L'assistenza è necessaria quando il dispositivo è stato in qualche modo danneggiato, come il cavo di alimentazione o la spina, quando è stato versato del liquido o sono caduti oggetti nel dispositivo, quando il dispositivo è stato esposto a pioggia o umidità, non funziona normalmente o è stato abbandonato.
26. L'esposizione prolungata ai suoni ad alto volume dei lettori musicali può causare una perdita temporanea o permanente dell'udito.
27. Se il prodotto viene consegnato con cavo di alimentazione o adattatore di alimentazione CA:
  - In caso di problemi, scollegare la scheda di alimentazione CA e rivolgersi a personale qualificato.
  - Non calpestare o schiacciare l'alimentatore. Fare molta attenzione, in particolare vicino alle prese e al punto di uscita del cavo. Non posizionare oggetti pesanti sull'alimentatore in quanto potrebbero danneggiarlo. Tenere il dispositivo fuori dalla portata dei bambini. Giocando con il cavo di alimentazione possono infortunarsi seriamente.
  - Scollegare il dispositivo durante i temporali o quando non viene utilizzato per un lungo periodo.
  - La presa di corrente deve essere installata vicino all'apparecchio e deve essere facilmente accessibile.
  - Non sovraccaricare le prese CA né le prolunghe. Il sovraccarico può causare incendi o scariche elettriche.
  - I dispositivi con struttura di classe 1 devono essere collegati a una presa di rete con connessione di messa a terra di protezione.
  - I dispositivi con struttura di classe 2 non richiedono una connessione a terra.
  - Tenere sempre la spina quando la si estrae dalla presa di rete. Non tirare il cavo di alimentazione. Ciò può causare un cortocircuito.
  - Non utilizzare un cavo o una presa di alimentazione danneggiati o una presa non fissata. Tale azione potrebbe provocare incendi o scariche elettriche.

28. Se il prodotto contiene o viene consegnato con un telecomando contenente batterie a pulsante/a bottone:  
Avvertenza:
- "Non ingerire la batteria, pericolo di ustioni chimiche" o funzionamento equivalente.
  - [Il telecomando in dotazione con] Il presente prodotto contiene una pila a bottone. Se ingerita, la batteria può causare gravi ustioni interne in sole 2 ore e portare alla morte.
  - Tenere le batterie, nuove o usate, fuori dalla portata dei bambini.
  - Se il vano batteria non si chiude completamente, interrompere l'uso del dispositivo e tenerlo fuori della portata dei bambini.
  - Se si teme che delle batterie possano essere state inghiottite o essere venute a contatto con qualsiasi parte interna del corpo, contattare immediatamente un medico.
29. Precauzioni sull'uso delle batterie:
- Pericolo di esplosione se la batteria viene sostituita in modo errato. Sostituire solo con lo stesso tipo o equivalente.
  - Non sottoporre le batterie a temperature estreme alte o basse, bassa pressione dell'aria ad alta quota durante l'uso, lo stoccaggio o il trasporto.
  - La sostituzione con una batteria di tipo errato può provocare un'esplosione o la perdita di liquidi o gas infiammabili.
  - Lo smaltimento di una batteria nel fuoco o in un forno caldo o lo schiacciamento o il taglio meccanico di una batteria possono provocare un'esplosione.
  - Lasciare una batteria in un ambiente circostante a temperatura estremamente elevata può provocare un'esplosione o una perdita di liquidi o gas infiammabili.
  - Una batteria soggetta a una pressione dell'aria estremamente bassa può provocare un'esplosione o una perdita di liquidi o gas infiammabili.
  - È necessario prestare attenzione agli aspetti ambientali legati allo smaltimento delle batterie.

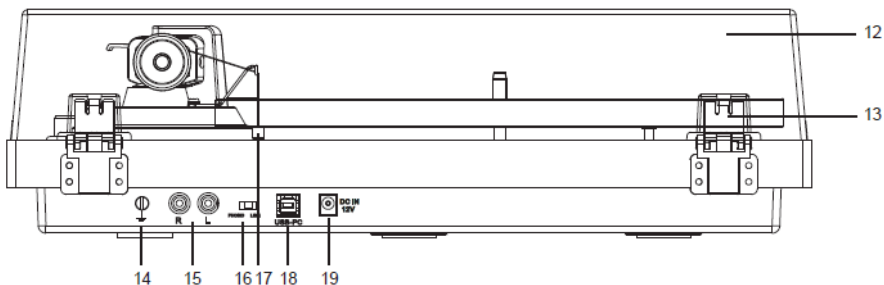
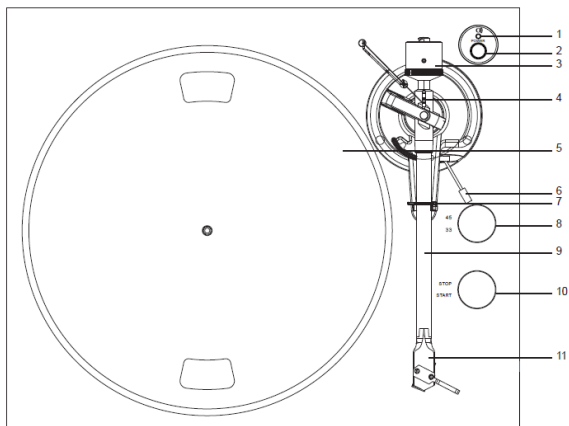
## **INSTALLAZIONE**

- Disimballare tutte le parti e rimuovere il materiale protettivo.
- Non collegare l'unità alla rete elettrica prima di avere controllato la tensione di rete e prima che siano stati effettuati tutti gli altri collegamenti.



## COMPONENTI, CARATTERISTICHE E CONNESSIONI

1. Spia di alimentazione e Bluetooth
2. Pulsante di alimentazione
3. Contrappeso
4. Controllo anti-skating
5. Piatto girevole
6. Leva di sollevamento braccio
7. Ferma braccio
8. Selettore 33/45
9. Braccio di lettura
10. Manopola Stop/Start
11. Testina



- |                            |                                 |
|----------------------------|---------------------------------|
| 12. Coperchio              | 16. Selettore PHONO e Line Out  |
| 13. Cerniera del coperchio | 17. Peso anti-skating           |
| 14. Connettore di massa    | 18. Porta USB-PC                |
| 15. Jack PHONO e Line Out  | 19. Jack di alimentazione CA-CC |

Controllare attentamente e assicurarsi di trovare i seguenti articoli forniti con questa confezione:

- |                                    |   |
|------------------------------------|---|
| 1) Unità                           | 7) Manuale d'uso                        |
| 2) Adattatore con connettore EU-UK | 8) Prolunga allineamento testina        |
| 3) Contrappeso                     | 9) Cavo USB-PC                          |
| 4) Piatto con cinghia              | 10) Coperchio in gomma di ricambio 2 pz |
| 5) Adattatore 45 giri              | 11) Peso anti-skating                   |
| 6) Tappetino per giradischi        | 12) Cavo uscita linea                   |

Questo giradischi viene fornito con una testina montata e regolata in fabbrica.

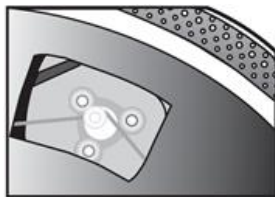
\*\*Le seguenti istruzioni per la regolazione della testina vengono fornite nel caso in cui la testina venga sostituita da un modello diverso in un secondo momento.

### Installazione del coperchio

Installare con attenzione il **coperchio** sui denti della cerniera.

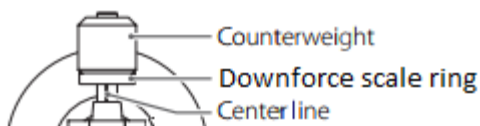
### Piatto del giradischi e montaggio cinghia

1. Installare la cinghia di trasmissione sull'anello interno sotto il piatto e assicurarsi che non cada durante la configurazione.
2. Posizionare il piatto attraverso l'alberino del giradischi, quindi ruotare il piatto finché non si vede la puleggia del motore di azionamento attraverso la finestra nell'angolo in alto a sinistra.
3. Afferrare con attenzione la cinghia di trasmissione e metterla attorno alla fessura della puleggia del motore.



4. Collegare l'adattatore di alimentazione al giradischi e accendere il giradischi.
5. Impostare l'interruttore di avvio/arresto del motore sulla posizione di avvio per vedere se il motore del piatto gira. Se il piatto non gira, provare di nuovo i passaggi sopra elencati.

### Regolazione della pressione della testina



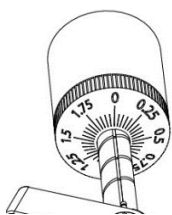
Il **contrappeso** fornito è adatto a testine con peso compreso tra 3,0 e 6,0 g.

- Premere con delicatezza il contrappeso dal retro del braccio in avanti e ruotolo (la ghiera deve essere rivolta verso la parte frontale del giradischi).
- Togliere il cappuccio protettivo della testina.
- Abbassare il sollevamento del braccio e posizionare la testina nello spazio tra il supporto del braccio e il piatto.

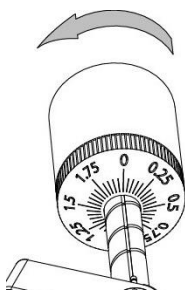
Con attenzione ruotare il **contrappeso** finché il braccio non è bilanciato. Il braccio dovrebbe tornare alla posizione bilanciata se viene spostato su o giù. Questa regolazione deve essere eseguita con attenzione.



- Una volta che il braccio è correttamente bilanciato, rimetterlo sul supporto. Tenere il **contrappeso** senza spostarlo, e ruotare con attenzione l'anello **Scala di forza verso il basso** finché lo zero non è in linea con la linea nera sul retro del **braccio**. Controllare se il braccio è ancora in equilibrio.



- Ruotare il contrappeso in senso antiorario (visto dalla parte anteriore) per regolare la forza verso il basso in base alle raccomandazioni del produttore della testina. Un segno sulla scala rappresenta 0,05 g di forza verso il basso.

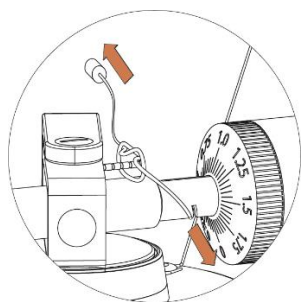


**NOTA:** La forza verso il basso consigliata per la cartuccia montata in fabbrica è di  $3,0 \pm 0,5$  g.

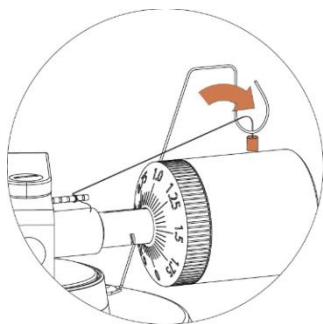
### **Individuare il peso anti-skating**

Troverai un peso anti-skating con una piccola lenza dalla confezione, seguire i passaggi seguenti per individuare il peso anti-skating:

1. Infilare l'estremità ad anello della lenza sopra il mozzo di regolazione del peso anti-skating e nella scanalatura 3a (la forza anti-skating corretta per la testina montata in fabbrica).



2. Tirare leggermente il peso anti-skating per lasciare che il nodo della lenza si sposti sul mozzo.
3. Sollevare il peso anti-skating sul supporto del filo del peso anti-skating. Il peso anti-skating dovrebbe ora penzolare nello spazio libero a sinistra del supporto.

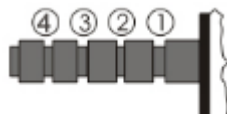


Far scorrere il cappio del filo del peso anti-skating sulla **3a** scanalatura del mozzo per impostare la corretta forza anti-skating per la testina montata in fabbrica. Far passare il filo attraverso il cappio del supporto del filo.

### **Regolazione forza anti-skating**

La forza anti-skating deve essere regolata in base alla forza verso il basso come segue:

<u>Forza verso il basso</u>	<u>Scanalatura nel mozzo</u>
2-2,5 g	1° dagli anelli dei cuscinetti
2,5-3 g	2° " " "



3-3,5 g	3° " " "
3,5-4 g	4° " " "

Far scorrere il cappio del filo del peso anti-skating sulla **3a** scanalatura del mozzo per impostare la corretta forza anti-skating per la testina montata in fabbrica. Far passare il filo attraverso il cappio del supporto del filo.

## Collegamento del sistema stereo

### Jack RCA

- I jack RCA di questa unità sono condivisi sia come jack di uscita Phone che come jack di uscita di linea. Sono determinati dall'interruttore Phono/Line.
- Quando vengono utilizzati come uscita di linea, i jack emettono segnali analogici a livello di linea e possono essere collegati direttamente con una coppia di altoparlanti attivi o l'ingresso appropriato del sistema stereo. Quando vengono utilizzati come uscita Phono, devono essere collegati al preamplificatore fono o all'ingresso fono dell'impianto stereo.
- Lo spinotto rosso si collega al canale destro e lo spinotto bianco si collega al canale sinistro.

### Nota:

- Se l'interruttore Phono/Line è impostato sulla posizione LINE ma i jack RCA sono collegati all'ingresso fono del sistema stereo, il suono potrebbe essere distorto a causa del sovraccarico di ingresso e potrebbe danneggiare il sistema stereo.
  - Se l'interruttore Phono/Line è impostato sulla posizione PHONO ma i jack RCA sono collegati all'ingresso di linea del sistema stereo, il volume sarà molto basso a causa della mancanza di preamplificazione del segnale.
- Il jack RCA non è progettato per essere collegato direttamente agli altoparlanti passivi / non alimentati e, in tal caso, il volume sarà molto basso.

## **Collegamento all'alimentazione principale**

L'alimentatore si trova nel materiale di imballaggio in schiuma. Disimballare l'adattatore di alimentazione e collegare l'estremità più piccola al **jack di alimentazione CC** situata sul lato posteriore del giradischi. Collegare l'alimentatore alla presa di corrente.

## **Funzionamento**

### **Funzionamento del giradischi**

1. Collegare l'alimentatore incluso all'unità e premere il tasto di accensione (2) per accendere il giradischi.
2. Rimuovere il cappuccio della puntina dalla testina.
3. Posizionare il tappetino sul piatto e posiziona un disco sul tappetino. Se si utilizzano dischi da 45 giri, posizionare l'adattatore da 45 giri sul perno centrale prima di posizionare il disco sul piatto.
4. Impostare il selettore 33/45 giri in base al tipo di disco.
5. Ruotare la manopola Avvio/Arresto in posizione Avvio per iniziare a far girare il piatto.
6. Sbloccare la clip del braccio e impostare la leva di sollevamento in posizione sollevata.
7. Posizionare il braccio sulla posizione desiderata (scanalatura) sul disco.
8. Spostare la leva di sollevamento del braccio in posizione abbassata per spostare il braccio verso il disco. In alternativa, posizionare la puntina nella posizione desiderata sul disco.
9. Abbassare con attenzione il braccio del disco.
10. Quando hai finito di suonare il disco, sollevare il braccio, farlo poggiare sulla clip del braccio e ruota la manopola Avvio/Arresto su Arresto.
11. Premere il tasto di accensione per spegnere il dispositivo.

### **Funzione Bluetooth**

L'unità è dotata di un trasmettitore Bluetooth che consente di inviare l'audio

ad altoparlanti o cuffie Bluetooth senza l'utilizzo di cavi..

1. Accendere il proprio altoparlante Bluetooth e assicurarsi che sia in modalità di accoppiamento.
2. Accendere il giradischi utilizzando il tasto di accensione (2). L'indicatore LED (1) si illumina prima di ROSSO, quindi lampeggia di blu durante la ricerca degli altoparlanti e delle cuffie Bluetooth.

Nota: per disattivare la funzione di ricerca Bluetooth, tenere premuto il tasto di accensione per 3 secondi. L'indicatore luminoso si accenderà di ROSSO.

3. Durante l'associazione, l'indicatore LED lampeggia di blu due volte al secondo, quindi rimane acceso una volta completata la procedura;  
Nota: l'unità si collega al dispositivo Bluetooth più vicino. Se dopo 2 minuti non vengono rilevati dispositivi Bluetooth con cui effettuare l'associazione, il trasmettitore si disattiva e l'indicatore LED diventa rosso.
4. Per annullare l'associazione, tenere premuto il tasto di accensione per 3 secondi o disattivare l'opzione di associazione Bluetooth sull'altoparlante esterno o sulle cuffie.

*"Questo prodotto ha una funzione di **trasmissione** bluetooth, **non puoi ricevere alcun suono bluetooth su di esso**: questo significa che puoi trasmettere in modalità wireless un segnale audio bluetooth a un dispositivo esterno come un altoparlante bluetooth, cuffie bluetooth, sistema audio con ricezione bluetooth, ..."*

## **Panoramica software Audacity**

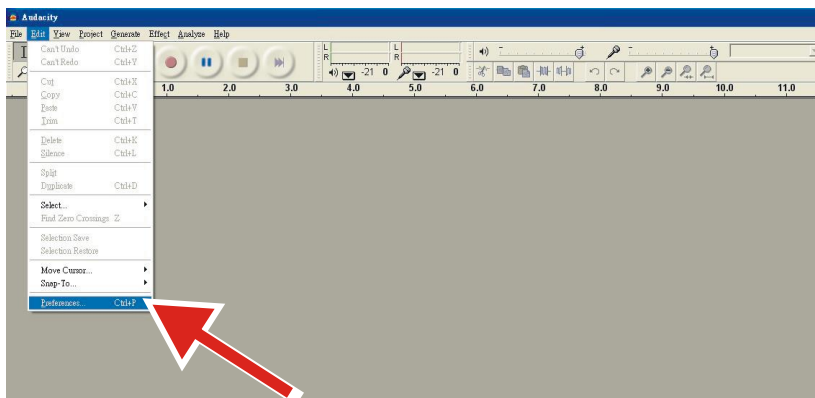
Audacity è un software gratuito, concesso in licenza con GNU General Public License (GPL). Ulteriori informazioni e codice open source sono disponibili sul Web all'indirizzo <https://www.audacityteam.org/download/>



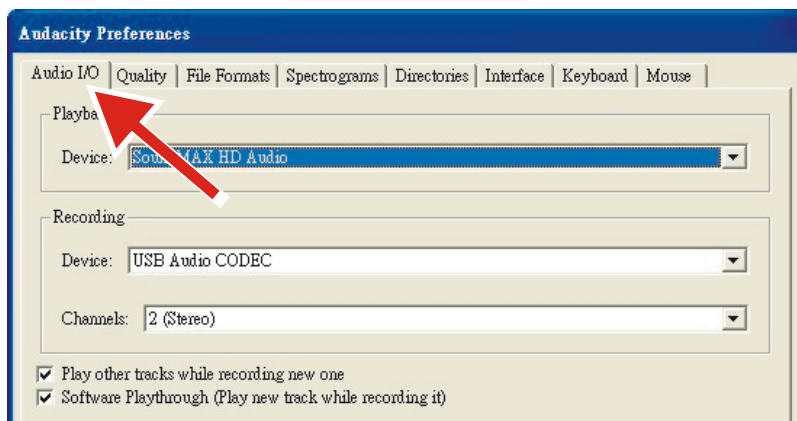
\* Assicurarsi di aver installato il software prima di iniziare.

### Configurare il PC per lavorare con Audacity

1. Collegare una sorgente di ingresso all'unità.
2. Collegare il filo USB al proprio computer.
3. Installare il software di registrazione Audacity.
4. Aprire il programma Audacity.
5. Selezionare Preferenza dalla scheda Modifica nel menu Audacity.



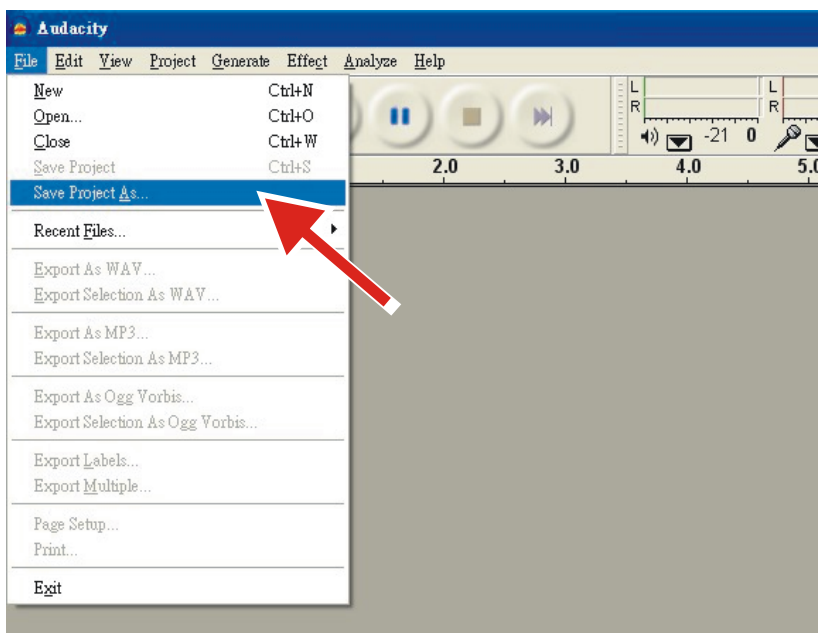
6. Selezionare la scheda **Audio I/O** in alto a sinistra.
  - In Riproduzione, Dispositivo, selezionare **la propria scheda audio interna**.
  - In Registrazione, Dispositivo, selezionare **USB Audio CODEC**.
  - In Registrazione, Canali, selezionare **2 (Stereo)**.
  - Spuntare la casella contrassegnata con **Riproduci altre tracce mentre si registra una**.
  - Spuntare la casella contrassegnata con **Software Playthrough**.



## Registrazione di album con Audacity

### 1. Salvataggio di un progetto

- Audacity scrive tutti gli audio modificati e registrati in una directory chiamata **Projectname\_data**, che si trova proprio dove si è salvato il file del progetto stesso.
- Quindi, selezionare **Salva progetto come** dalla scheda File Audacity e scegliere una posizione e nome del file per il progetto.
- Si noti che quando si avvia Audacity, solo l'opzione del menu **“Salva come...”** è disponibile.



## 2. Come registrare

- Impostare il giradischi USB per riprodurre il brano o l'album che si desidera registrare.



- Fare clic sul pulsante Registra per avviare la registrazione.
- Abbassare il braccio sul giradischi USB sul disco e la traccia che si desidera registrare.
- Fare clic sul pulsante Pausa blu per mettere in pausa la registrazione.



Premere per continuare.

- Fare clic sul pulsante Stop giallo.



Ecco fatto. Ora è possibile muoversi nella registrazione ed esplorare le capacità di editing di Audacity. Ricordarsi che è possibile usare la funzione Annulla quasi senza limiti mentre il progetto è aperto.

**NOTA:** CD non può essere masterizzato direttamente dall'applicazione Audacity. Devono essere usate altre applicazioni per la masterizzazione di CD.

## **Manutenzione e pulizia**

Il tuo giradischi richiede poca o nessuna manutenzione. Rimuovi la polvere con un panno antistatico leggermente umido. Non usare mai un panno asciutto, questo creerà elettricità statica e attrarrà più polvere! I detergenti antistatici sono disponibili nei negozi specializzati, ma devono essere applicati senza eccedere per evitare danni alle parti di gomma. Consigliamo di rimettere il cappuccio protettivo sulla puntina prima della pulizia o della manutenzione per evitare di danneggiarla.

Se non si usa il giradischi per un lungo periodo, smontare la cinghia di trasmissione per evitare che si tiri in modo anomalo.

**NOTA:** per sicurezza, prima delle operazioni di manutenzione, scollegare sempre il cavo di alimentazione.

## **Consigli utili**

Il giradischi deve essere posizionato su una superficie a bassa risonanza, ad esempio sul legno o su un pannello multistrato per evitare vibrazioni strutturali che disturbano la riproduzione.

## **Sostituzione testina**

1. prima della sostituzione, riposizionare la protezione della puntina sulla puntina per evitare danni alla puntina durante il processo di sostituzione.
2. Rimuovere con attenzione i fili conduttori dalla testina originale.

3. Allentare le due viti sul guscio della testina che fissano la testina e quindi rimuovere la testina originale.
4. Montare la nuova testina sul portatestina e serrarla leggermente. Non stringere completamente le viti in questo momento.
5. Collegare i conduttori dei cavi ai nuovi terminali delle testine. I codici colore dei cavi sono i seguenti:
  - Bianco canale sinistro positivo (L+)
  - Nero canale sinistro negativo (L-)
  - Rosso canale destro positivo (R+)
  - Nero canale destro negativo (R-)
6. Regolare la posizione della testina per assicurarsi che sia allineata con precisione sul portatestina in modo che la puntina segua perfettamente le scanalature in parallelo.

Per ottenere ciò, posizionare la prolunga di allineamento della testina di carta inclusa sul perno del giradischi, sollevare con cautela il braccio e posizionare la punta della puntina sui punti contrassegnati rispettivamente da 130 mm e 250 mm. Regolare con precisione la posizione della testina sul portatestina fino a quando la testina è perfettamente parallela alle linee di riferimento in entrambi i punti.
7. Serrare completamente le viti una volta ottenuto l'allineamento perfetto.

NOTA: Se non si ha familiarità con il completamento di questa procedura, si consiglia di consultare un professionista per eseguire l'installazione.

### Specifiche Tecniche:

Velocità nominali	33 1/3 & 45 giri	
Varianza di velocità	±1%	
Wow and Flutter	≤0,15%	
Segnale a rumore	55dB	
Gamma di forza verso il basso	3,0-6,0g	
Lunghezza del braccio effettiva	8.6" (218,5 mm)	
Sporgenza	0,73in	
Consumo di energia	5W (Max)	
Alimentazione fuoribordo	12V/500mA	CA-CC
Dimensioni (L x A x P)	420 x 360 x 125 mm	
Peso	4,8kg	

### Specifiche Tecniche: AT-3600L (audio-technica)

Risposta in frequenza	20Hz-20kHz	
Resistenza di carico raccomandata	47kohm	
Bilanciamento canale	<2,5dB	
Connessione amplificatore	Ingresso - MM	
Separazione canale	>18dB	
Forza di tracciamento raccomandata	3,0±0,5g	
Tensione in uscita	2,5mV	
Peso	5g	

### Potenziale uso scorretto e condizioni di guasto

Questi giradischi sono realizzati secondo i più alti standard di progettazione e sono sottoposti a severi controlli di qualità prima di lasciare la fabbrica. I guasti che possono verificarsi non sono necessariamente dovuti a difetti materiali o di produzione, ma a volte possono essere causati da un uso scorretto o da circostanze sfortunate. Forniamo di seguito una lista di guasti e sintomi comuni.

**L'alimentazione è attiva, ma il piatto non gira:**

- Il giradischi non è collegato all'alimentazione.
- Non c'è alimentazione in uscita.
- La cinghia non è stata montata o è scivolata via.
- L'unità è entrata automaticamente in modalità stand-by: accenderla nuovamente.

**Non c'è segnale da uno dei canali o da entrambi:**

- L'ingresso phono non è stato selezionato sull'amplificatore.
- L'amplificatore non è acceso.
- L'amplificatore o gli altoparlanti sono disattivati.
- Nessuna connessione agli altoparlanti.
- Nessuna connessione tra giradischi e amplificatore.
- I cavi non sono collegati alla testina.

**Forte ronzio dall'ingresso phono:**

- Nessun collegamento di messa a terra dal cavo della testina al braccio oppure dal braccio all'amplificatore o al circuito di massa.
- Il giradischi è troppo vicino agli altoparlanti.

**Suono distorto o assente da uno o da entrambi i canali:**

- Il giradischi è collegato all'ingresso sbagliato dell'amplificatore.
- La puntina o il cantilever sono danneggiati.
- La cinghia è troppo tesa o sporca.
- Il cuscinetto del piatto non è lubrificato, è sporco o danneggiato.
- Polvere sulla puntina.
- L'interruttore MM/MC sul preamplificatore è impostato in modo errato.

**Osservazioni: a causa dei requisiti di ErP Stage 2 per le misure di risparmio energetico, un'unità collegata all'alimentazione di rete passa automaticamente alla modalità standby se non produce musica per circa 20 minuti.**

**Quindi, se l'unità si spegne regolarmente, questo non è un difetto.**

Alimentatore

Produttore: BRIGHTPOWER OPTOELECTRONIC TECHNOLOGY CO., LTD

Numero di modello: SW1200500-FM

Tensione in ingresso: 100-240V

Frequenza in ingresso CA: 50/60 Hz

Tensione in uscita: CC 12V

Corrente in uscita: 0,5A

Potenza in uscita: 6W

Efficienza media attiva: 79,62%

Efficienza a basso carico (10%): 70,40%

Nessun carico Consumo energetico: 0,073W

Utilizzare solo l'alimentazione indicata nel presente manuale

## **Garanzia**

Lenco offre assistenza post-vendita e garanzia in conformità con i regolamenti europei. Pertanto, nell'eventualità si rendano necessarie riparazioni (durante e dopo il periodo di garanzia), è opportuno rivolgersi al locale rivenditore di fiducia.

Nota importante: Non è possibile inviare direttamente a Lenco i prodotti da riparare.



Nota importante: Qualora l'unità venga aperta o manomessa in qualsiasi modo da un centro di assistenza non riconosciuto, la garanzia decade. Questo dispositivo non è adatto per l'uso professionale. Qualora l'unità venga utilizzata per scopi professionali, tutti gli obblighi del produttore derivanti dalla garanzia sono nulli.

### **Clausola di esclusione della responsabilità**

Il firmware e/o i componenti hardware vengono aggiornati regolarmente. Pertanto, è possibile che alcune parti relative a istruzioni, specifiche e immagini contenute nella presente documentazione siano diverse da quanto riscontrato nel singolo caso. Tutte le descrizioni incluse in questa guida sono fornite a puro titolo illustrativo e non si applicano necessariamente alla specifica situazione. Nessun diritto legale o contrattuale può derivare dalle descrizioni contenute nel presente libretto di istruzioni.

### **Smaltimento a fine vita del dispositivo**



Questo simbolo indica che in Europa è vietato gettare il relativo prodotto elettrico o batteria tra i rifiuti domestici. Per il corretto smaltimento a fine vita del prodotto e della batteria, attenersi alle vigenti normative locali per il trattamento dei rifiuti da apparecchiature elettriche ed elettroniche e delle batterie. In tal modo si contribuisce a salvaguardare le risorse naturali e a migliorare gli standard per la protezione dell'ambiente nel trattamento dei rifiuti da apparecchiature elettriche ed elettroniche (Direttiva RAEE).

## DICHIARAZIONE DI CONFORMITÀ

Il fabbricante, Commaxx, dichiara che il tipo di apparecchiatura radio [Lenco LBT-188 (V2) / LBT-189 / LBT-288] è conforme alla direttiva 2014/53/UE. Il testo completo della dichiarazione di conformità UE è disponibile al seguente indirizzo Internet:

[https://commaxx-certificates.com/doc/lbt-188\\_doc.pdf](https://commaxx-certificates.com/doc/lbt-188_doc.pdf)

Tipo RF	Intervallo di frequenze (MHz)	Potenza (dBm)
Bluetooth	2402-2480	<6

### Assistenza

Per ulteriori informazioni e accesso all'helpdesk, visitare il sito

[www.lenco.com](http://www.lenco.com)

Commaxx B.V. Wiebachstraat 37, 6466 NG, Kerkrade, Paesi Bassi.

### **ПРЕДОСТЕРЕЖЕНИЕ:**

Использование элементов управления или регулирования или выполнение процедур, отличных от указанных в данном документе, может привести к опасному радиационному облучению. Устройство не должно настраиваться или ремонтироваться людьми без специальных знаний и квалификаций.

### **МЕРЫ ПРЕДОСТОРОЖНОСТИ ПЕРЕД ЭКСПЛУАТАЦИЕЙ**

---

#### **СОБЛЮДАЙТЕ СЛЕДУЮЩИЕ ИНСТРУКЦИИ:**

1. Не используйте устройство рядом с любым источником воды.
2. Для очистки устройства используйте мягкую сухую ткань.
3. Не закрывайте и не блокируйте вентиляционные отверстия. При размещении устройства на полке оставьте вокруг него 5 см (2 дюйма) свободного пространства.
4. Установите устройство в соответствии с руководством пользователя, входящим в комплект поставки.
5. \*Не наступайте на адаптер питания и не зажимайте его. Будьте очень осторожны, особенно возле штекеров и кабельного вывода. Не размещайте на адаптере электропитания тяжелые предметы, так как они могут повредить его. Храните устройство в недоступном для детей месте! Играя с кабелем электропитания, они могут серьезно пораниться.
6. Отключайте это устройство от сети во время грозы или если не используете в течение длительного времени.
7. Устройство должно находиться вдали от источников тепла, таких как батареи, обогреватели, нагревательные печи, свечи и другие изделия, выделяющие тепло, или открытое пламя.
8. Не используйте устройство вблизи сильных магнитных полей.
9. Электростатический разряд может помешать нормальной эксплуатации устройства. Если это так, просто перезагрузите и перезапустите

устройство, следуя инструкции по эксплуатации. Соблюдайте осторожность при передаче файлов и эксплуатируйте устройство в среде, свободной от атмосферных помех.

10. Предупреждение! Не вставляйте какие-либо предметы в изделие через вентиляционные отверстия или проемы. Через изделие проходит высокое напряжение, и вставленный предмет может вызвать поражение электрическим током и/или короткое замыкание внутренних частей. По той же причине не проливайте на изделие воду или любую другую жидкость.
11. Не используйте устройство в помещениях с повышенной влажностью, таких как ванные комнаты, кухни, насыщенные паром, или около бассейнов.
12. Не используйте это устройство в среде, где возможно образование конденсата.
13. Несмотря на то, что это устройство изготовлено с особой тщательностью и несколько раз проверено перед выпуском с завода, возникновение проблем все же возможно, как и со всеми электрическими приборами. Если Вы заметили дым, чрезмерное нагревание или любые другие неожиданные явления, Вам следует немедленно отключить вилку от розетки электропитания.
14. Это устройство должно работать от такого источника питания, как указано на заводской табличке со спецификациями. Если Вы не уверены в том, какой тип источника питания используется в Вашем доме, проконсультируйтесь с Вашим торговым посредником или местной электроэнергетической компанией.
15. Штепсельная розетка должна быть установлена рядом с оборудованием и быть в непосредственном доступе.
16. Не перегружайте розетки переменного тока или удлинительные шнуры. Перегрузка может вызвать возгорание или поражение электрическим током.

17. Устройства, спроектированные в соответствии с первым классом электрооборудования по европейским стандартам, «class 1», необходимо подключать к заземленным розеткам электропитания.
18. Устройства, спроектированные в соответствии со вторым классом электрооборудования по европейским стандартам, «class 2», не требуют наличия заземления в сети электропитания.
19. \*Размещайте устройство подальше от животных. Некоторым животным нравится кусать шнур питания.
20. Вынимая вилку из штепсельной розетки, всегда держитесь за вилку. Не тяните за шнур питания. Это может вызвать короткое замыкание.
21. Избегайте размещения устройства на поверхностях, которые могут быть подвержены избыточной вибрации или ударам.
22. Для очистки устройства используйте мягкую сухую ткань. Не используйте растворители или жидкости на основе бензина. Чтобы удалить устойчивые пятна, Вы можете использовать влажную ткань с разбавленным моющим средством.
23. Поставщик не несет ответственности за повреждение или потерю данных, вызванные неисправностью, неправильным использованием, реконструкцией устройства или заменой батареи.
24. Не прерывайте соединение, когда устройство форматирует или передает файлы. В противном случае данные могут быть повреждены или утеряны.
25. Если в устройстве есть функция воспроизведения через USB, карту памяти USB следует подключать напрямую к устройству. Не используйте удлинительный кабель USB, так как он может вызывать помехи, что приведет к потере данных.
26. Не допускайте попадания на устройство капель или брызг. Следите за тем, чтобы на устройство или рядом с ним не ставились предметы, наполненные жидкостью, например вазы.
27. В случае возникновения каких-либо проблем отключите шнур питания

переменного тока и обратитесь за обслуживанием к квалифицированному персоналу.

28. Если устройство работает от батарей, батарею не следует подвергать нагреву от солнца, огня и других горячих источников.
29. Следует обратить внимание на экологические аспекты утилизации батарей.
30. Устройство можно использовать только в умеренном климате. Холодные и теплые условия не подходят при использовании устройства.
31. Табличка с техническими данными находится на нижней или задней панели устройства.
32. Это устройство не предназначено для использования людьми (включая детей) с физическими, умственными расстройствами, расстройствами чувственного восприятия или с недостатком опыта и знаний, если они не находятся под наблюдением или не получили инструкции по правильному использованию устройства со стороны лица, отвечающего за их безопасность.
33. Это изделие не предназначено для профессионального, коммерческого или промышленного использования.
34. Убедитесь, что устройство установлено в устойчивое положение. Гарантия не распространяется на повреждения, вызванные эксплуатацией этого изделия в нестабильном положении, вибрациями или ударами, либо несоблюдением любых других предупреждений или мер предосторожности, содержащихся в данном руководстве пользователя.
35. Никогда не снимайте корпус этого устройства.
36. Никогда не помещайте это устройство на другое электрическое оборудование.
37. Не используйте и не храните устройство в местах, где оно может быть подвержено воздействию прямых солнечных лучей, образованию чрезмерного количества пыли или излишней вибрации.

38. Не допускайте игр детей с пластиковыми пакетами, используемыми для упаковки устройства.
39. Используйте только приспособления/принадлежности, указанные производителем.
40. Поручите все обслуживание квалифицированному обслуживающему персоналу. Обслуживание требуется, когда устройство было повреждено, например, его шнур электропитания или вилка, когда была пролита жидкость или какие-либо предметы упали на устройство, когда устройство подверглось воздействию дождя или влаги, когда устройство работает ненормально, или когда произошло падение устройства.
41. Не используйте поврежденный шнур электропитания, вилку или незакрепленную, ослабленную розетку. Это может привести к возгоранию или поражению электрическим током.
42. Длительное воздействие громких звуков личных музыкальных проигрывателей может привести к временной или постоянной потере слуха.

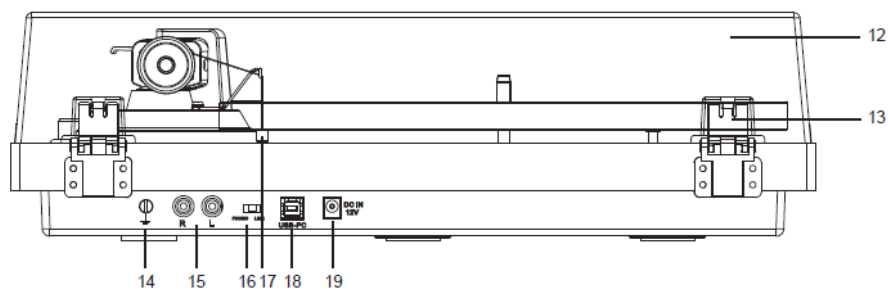
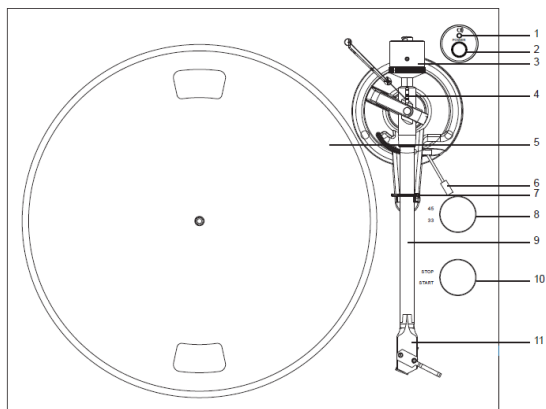
#### **УСТАНОВКА**

- Распакуйте все компоненты проигрывателя и снимите защитные материалы.
- Не подключайте устройство к электросети до проверки сетевого напряжения и до выполнения всех остальных подключений.

**\* Эти инструкции относятся только к продуктам, использующим кабель электропитания или адаптер переменного тока.**

## КОМПОНЕНТЫ ВИНИЛОВОГО ПРОИГРЫВАТЕЛЯ

1. Индикатор питания и Bluetooth
2. Кнопка питания
3. Противовес
4. Регулятор антискейтинга
5. Опорный диск
6. Рычажок тонарма
7. Опора тонарма
8. Переключатель на 33/45 об./мин.
9. Тонарм
10. Регулятор Пуск/Остановка
11. Картридж



- |                              |   |
|------------------------------|---|
| 12. Крышка                   | 16. Переключатель PHONO и Line Out                |
| 13. Петля крышки             | 17. Грузик антискейтинга                          |
| 14. Соединитель заземления   | 18. Порт USB-PC                                   |
| 15. Разъемы PHONO и Line Out | 19. Разъем питания переменного и постоянного тока |



Пожалуйста, внимательно ознакомьтесь с содержимым упаковки и убедитесь, что внутри находятся:

- |                           |   |
|---------------------------|---|
| 1. Проигрыватель          | 7. Руководство пользователя                         |
| 2. Адаптер питания        | 8. Калибратор картриджа                             |
| 3. Противовес             | 9. Кабель USB-PC                                    |
| 4. Тарелка с ремнем       | 10. Две доп. резиновые накладки для защитной крышки |
| 5. Адаптер на 45 оборотов |   |
| 6. Слипмат для тарелки    | 11. Антискейтинговый вес                            |

Данный проигрыватель поставляется с предустановленным и настроенным картриджем.

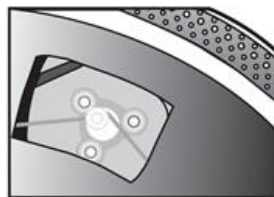
\*\*Данные инструкции необходимы для регулировки картриджа, если в будущем вы захотите его заменить на другой.

### **Установка защитной крышки**

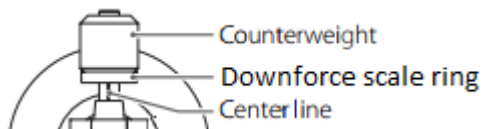
Аккуратно установите защитную крышку в петли.

### **Установка тарелки и ремня**

1. Разместите ремень привода вокруг внутреннего кольца под тарелкой и убедитесь, что он хорошо закреплен.
2. Разместите на шпинделе тарелку и начните ее крутить, пока не увидите в окошке в левом верхнем углу движение.
3. Аккуратно возьмите ремень и вставьте его в привод.
4. Подключите адаптер питания к проигрывателю.
5. Установите переключатель включения/выключения привода в положение START и убедитесь, что тарелка крутится. Если движения нет, выполните все шаги заново.



## Регулировка прижимной силы картриджа



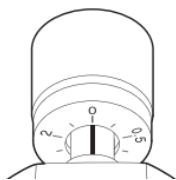
Противовес проигрывателя подходит для картриджей 3.0-6.0г.

- Аккуратно подвиньте и поверните противовес к задней части тонарма (шкала должна быть обращена к передней части проигрывателя).
- Снимите защитный колпачок с картриджа.
- Опустите рычаг регулировки тонарма и разместите сам тонарм между тарелкой и местом покоя тонарма.

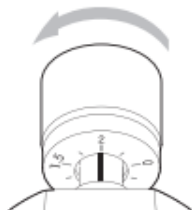
Аккуратно крутите противовес до полной балансировки тонарма. Тонарм должен вернуться в отбалансированное положение, если его сдвинуть вверх или вниз. Настройку необходимо производить максимально аккуратно.



- После балансировки тонарма верните его на место покоя. Держите противовес, но не двигайте его, и плавно крутите кольцо регулировки прижимной силы, пока ноль не окажется наравне с черной линией задней части тонарма. Убедитесь, что тонарм все еще сбалансирован.



- Прокрутите противовес в противоположную сторону (против часовой стрелки) и отрегулируйте прижимную силу согласно рекомендациям производителя картриджа. Одно деление на шкале обозначает 0.05г прижимной силы.

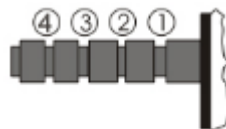


**ПРИМЕЧАНИЕ:** рекомендуемая прижимная сила для картриджа, идущего в комплекте равна  $3.5 \pm 0.5$ г.

### Регулировка антискейтинга

Сила анти-скейтинга должна соответствовать прижимной силе, согласно следующей схеме:

<u>Прижимная сила</u>	<u>Бороздка регулировки</u>
2–2,5 г	1 от тонарама
2,5–3 г	2-я " " "
3–3,5 г	3-я " " "
3,5–4 г	4-я " " "



Наденьте петлю антискейтинга на третью бороздку, чтобы придать картриджу, предустановленному на фабрике, нужную прижимную силу. Далее проденьте нить через петлю.

## Подключение к усилителю

Данный проигрыватель использует MM-картридью. Установите переключатель **PHONO & Line Out** в положение PHONO. Подключите phono кабелек phono приемнику усилителя вашего предусилителя. Входящие сигналы CD плееров, тюнеров, кассетных или видео плееров не подходят для выхода PHONO сигнала. Убедитесь, что усиление выбранного сигнала соответствует типу используемого картриджа. На фабрике устанавливается картридж с 47k ohms.

ПРИМЕЧАНИЕ: Если у вашего усилителя нет входного режима, подходящего для PHONO картриджей, вам необходимо приобрести отдельный PHONO усилитель для NN-картриджей. Затем вам надо будет подключить проигрыватель к предусилителю, а предусилитель к усилителю.

## Подключение к стерео системе

Установите переключатель **PHONO & Line Out** в положение LINE. Разъемы RCA **PHONO & Line Out** выдают аналоговый сигнал и могут быть напрямую подключены к активным спикерам вашей стерео системы. Красный выход соответствует правому каналу, а белый – левому каналу.

ПРИМЕЧАНИЕ: Выходы RCA не предназначены для прямого подключения к пассивным спикерам в режиме LINE. При подключении к пассивным спикерам вы не услышите звук.

## Подключение питания

Адаптер питания находится в упаковочном материале. Извлеките адаптер питания и воткните штекер в соответствующий разъем в

задней части проигрывателя. После этого воткните адаптер в розетку.

## **Использование**

### **Проигрывание записей**

1. **Подключите** к устройству адаптер питания, входящий в комплект поставки, и нажмите на кнопку питания (2), чтобы включить проигрыватель.
2. Снимите защитную крышечку с картриджа.
3. Разместите слипмат на тарелке и положите пластинку на слипмат. При использовании записей со скоростью проигрывания 45 об. В минуту, разместите комплектный адаптер на 45 оборотов на центральном шпинделе и только после этого разместите сверху пластинку с записью.
4. Установите селектор скорости (33/45 RPM) в соответствии с размещенной записью. Тарелка начнет вращаться.
5. **Приведите** регулятор «Пуск/Остановка» в положение «Пуск», чтобы начать вращение опорного диска.
6. Снимите защелку тонарма и установите рычаг тонарма в верхнее положение.
7. Установите тонарм над необходимой дорожкой на пластинке.
8. Установите рычаг тонарма в нижнее положение, чтобы тонарм опустился на пластинку. Также вы можете разместить иглу над желаемой позицией на пластинке.
9. Аккуратно опустите тонарм на пластинку.
10. Когда запись закончится, поднимите тонарм, верните его на место фиксации и переведите ручку режима работы в положение STOP.
11. Нажмите на кнопку питания, чтобы отключить электропитание.

### **Подключение по Bluetooth**

Это устройство оснащено передатчиком Bluetooth для беспроводной подачи звука на динамик Bluetooth наушников.

1. Включите вашу Bluetooth колонку и убедитесь, что она находится в режиме сопряжения.
2. Включите проигрыватель с помощью кнопки питания (2). Светодиодный индикатор (1) сначала загорится красным цветом, а затем начнет мигать синим цветом во время поиска внешнего динамика или наушников через Bluetooth  
Примечание: если вы хотите отключить функцию поиска через Bluetooth, вы можете нажать на кнопку питания и удерживать ее в течение 3 секунд, после чего светодиодный индикатор загорится красным.
3. При сопряжении световой индикатор будет мигать синим цветом два раза в секунды. После завершения сопряжения светодиодный индикатор будет медленно мигать синим цветом;  
Примечание: устройство подключится к ближайшему модулю Bluetooth. Если через 2 минуты не будет найден динамик Bluetooth для сопряжения, передатчик Bluetooth станет неактивен, а цвет светодиодного индикатора станет красным.
4. Чтобы отключить сопряжение, нажмите на кнопку питания и удерживайте ее в течение 3 секунд или отключите сопряжение через Bluetooth на внешнем динамике или наушниках Bluetooth.

#### **Оцифровка пластинок с помощью USB:**

Для начала оцифровки вам необходимо ознакомиться с ВВОДНЫМ КУРСОМ К ПРОГРАММЕ AUDACITY. <http://audacity.sourceforge.net/>

Оцифровка винила с помощью ПК:

- 1) Следуйте шагам выше из раздела Проигрывание записей, чтобы начать воспроизведение.
- 2) Дважды кликните на иконку программы Audacity и следуйте шагам в ВВОДНОМ КУРСЕ К ПРОГРАММЕ AUDACITY.

#### **Audacity и подключение через USB**

Программа поддерживает Windows95/Window XP/Window 7/Vista или более старшие версии. Необходимый объем памяти - 128МВ. Программа Audacity занимает на жестком диске ПК 5МВ.

## **Instruction for PC Encoding**

### **1. Software instruction**

1.1 Подключите USB кабель к проигрывателю и компьютеру.

Установка драйверов не требуется.

1.2 Скачайте программу Audacity с сайта <http://audacity.sourceforge.net/>

Следуйте инструкции по установке.

### **2. Записи**

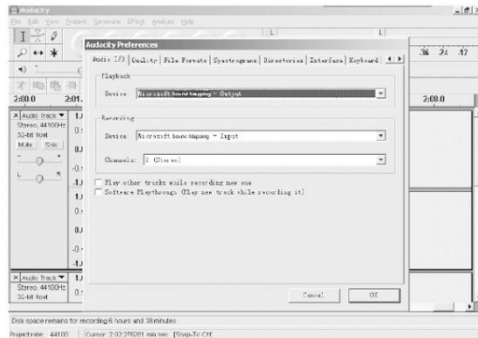
#### **2.1 Откройте программу**



## 2.2 Выберите пункт “Edit”, затем “Preferences”;

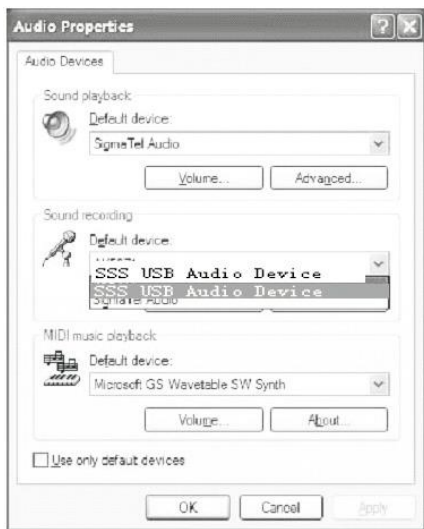


## 3 Настройки



**ПРИМЕЧАНИЕ:** вам необходимо проверить аудио настройки компьютера, источником записи звука должен значиться и быть выбран: "SBS USB Audio Device" как на рисунке ниже:

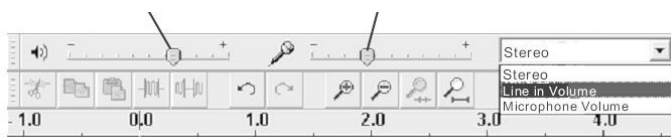




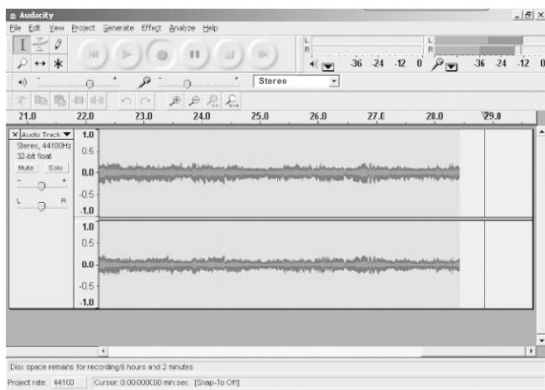
#### 4 Настройка звука (вход и выход)

Выход

Вход



- 5 Нажмите кнопку записи • чтобы начать запись, в интерфейсе отобразятся правый и левый каналы:



2.5.1 ⑤ Кнопка ● , останавливает запись.

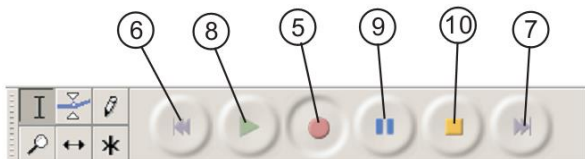
2.5.2 ⑥ Кнопка ◀◀ вернуться к началу;

2.5.3 ⑦ Кнопка ▶▶ перейти в конец;

2.5.4 ⑧ Кнопка ▶ начать проигрывание;

2.5.5 ⑨ Кнопка || приостановить запись;

2.5.6 ⑩ Кнопка ■ прекратить запись.

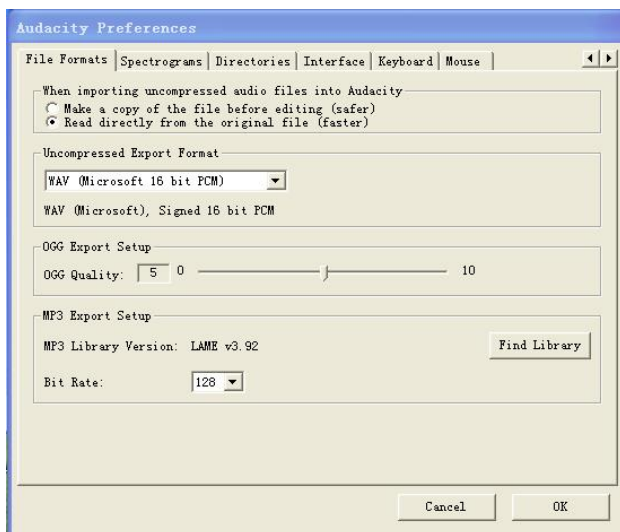


1. Экспорт музыкальных файлов в WAV, MP3 формат.

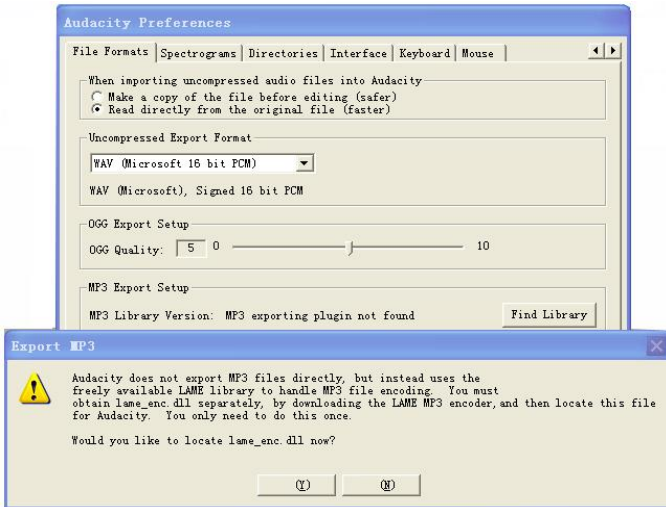
- После завершения записи необходимо сохрoанить трек в компьютере.
- Нажмите в меню File и перейдите к Export as WAV format, MP3 format или Ogg format.
- Нажмите на любой формат файла, чтобы сохранить запись. Вам предложат выбрать название файла с записью.
- **Примечание:** Audacity не может экспортировать записи в формат MP3 напрямую. Вам необходимо скачать кодеки LAME MP3. Ссылка на их скачивание находится на сайте <http://audacity.sourceforge.net> Если вы не видите звуковой поток в интерфейсе программы,

следуйте следующим шагам:

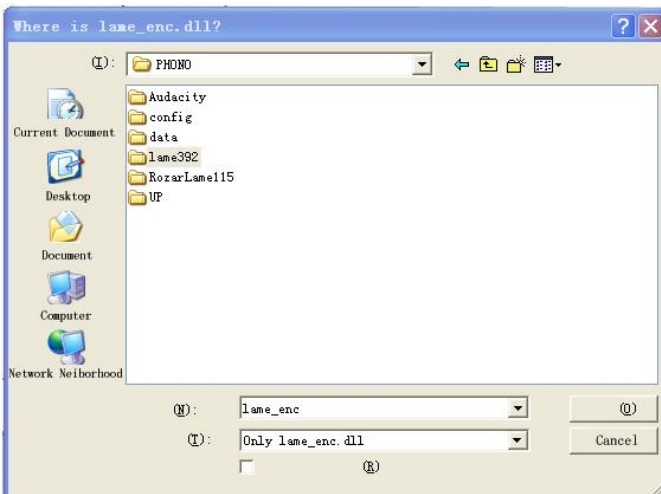
- 1) Скачайте “lame\_enc.dll” и установите на свой ПК.
- 2) Откройте “Audacity”, кликните на Главное меню, выберите “edit”, “Parameter”, “File Formats”, и затем “Searcher”.



3) После этого откроется следующее меню. Нажмите YES, чтобы перейти к поиску “Lame\_enc.dll”.



1) После нахождения “lame\_enc.dl” откройте его и нажмите “Y” для завершения установки.



## **Уход за проигрывателем**

Аккуратно протирайте корпус проигрывателя мягкой тканью. Никогда не используйте сухую ткань, это может привести к образованию статического электричества и послужит катализатором для сбора пыли! Антистатические средства для очистки устройств продаются в специализированных магазинах. Рекомендуется устанавливать защитный колпачок для иглы перед чисткой проигрывателя..

Если проигрыватель не используется долгое время, необходимо снять ремень привода, чтобы избежать его растяжения.

**ПРИМЕЧАНИЕ:** Всегда отключайте проигрыватель от сети питания!

### **Полезные советы**

Проигрыватель необходимо располагать в тех местах, где нет посторонних шумов – деревянные полки, многосекционные стеллажи. Это позволит избежать искажений звука при проигрывании записей.

## **Замена картриджа**

1. Перед заменой наденьте на иглу пластиковый колпачок, чтобы избежать ее повреждения.
2. Аккуратно отсоедините провода от комплектного картриджа.
3. Открутите два винта, которые держат картридж, после чего снимите сам картридж.
4. Вставьте новый картридж, слегка закрутив винты. Не закручивайте винты до конца!
5. Подключите провода к терминалам картриджа, согласно таблице:

Белый	Левый канал, +	(L+)
Черный	Левый канал, -	(L-)
Красный	Правый канал, +	(R+)
Черный	Правый канал, -	(R-)

6. Убедитесь, что картридж размещен ровно, иначе игла не будет попадать в бороздки винила.
7. Чтобы добиться точного размещения, необходимо положить на тарелку шаблон для настройки, слегка поднять тонаром и разместить иглу на точках 130мм и 250мм. Подстройте картридж так, чтобы он был идеально параллелен обеим линиям.
8. Закрутите винты после точного размещения картриджа.

**ПРИМЕЧАНИЕ:** Если вы не знакомы с выполнением данной процедуры или чувствуете неуверенность, рекомендуем обратиться к профессионалам для ее выполнения.

### **Спецификация:**

Скорости вращения диска	33 1/3 & 45RPM
Расхождение в скорости	±1%
Нестабильность вращения	≤0.15%
Соотношение сигнал/шум	55dB
Диапазон прижимной силы	3.0-6.0g
Длина тонарама	8.6" (218.5 мм)
Перевес	0.73 дюймов
Потребляемая мощность	5W (Max)
Питание	12V/500mA AC-DC
Размеры (Ш x В x Г)	420 x 360 x 125 мм
Вес	4.8 кг

## **Спецификация картриджа: AT-3600L (audio-technica)**

Частотный диапазон	20Hz-20kHz
Рекомендуемое сопротивление	47kohms
Баланс каналов	<2.5dB
Подключение к усилителю	MM - input
Разделение канала	>18dB
Рекомендуемая прижимная сила	3.5±0.5g
Исходящее напряжение	2.5mV
Вес	5 г

## **Устранение неисправностей**

Наши проигрыватели создаются по самым высоким стандартам и проходят несколько степеней контроля качества до того, как покинут фабрику. Тем не менее, иногда случаются ошибки и могут возникать проблемы из-за некачественных материалов или некорректного использования проигрывателя. Ознакомьтесь со следующими темами, чтобы устранить большинство возникающих неисправностей.

### **Тарелка вращается, проигрыватель включен:**

- Проверьте подключение к сети.
- Проигрыватель не получает напряжение.
- Ременной привод не установлен или слетел.
- Устройство автоматически переключается в режим ожидания, снова включите электропитание.

### **Нет сигнала в одном или обоих каналах:**

- На усилителе не выбран входящий сигнал.
- Усилитель не включен.
- Проверьте уровень сигнала усилителя или динамиков.
- Динамики не подключены.

- Нет соединения между усилителем и проигрывателем.
- Провода не подключены к картриджу.

#### **Сильный гул:**

- Не заземленное соединение от картриджа, тонарама или кабеля тонарама к усилителю.
- Проигрыватель стоит слишком близко к динамикам.

#### **Искаженный звук в одном или обоих каналах:**

- Проигрыватель подключен к неправильному входу усилителя.
- Повреждение иглы или кантилевера.
- Ремень привода растянулся или загрязнился.
- Подшипник тарелки сухой, поврежден или загрязнен.
- Пыль на игле.
- Переключатель ММ/МС на прдусилителе устанволен в некорректном положении.

**Примечание: Данное устройство соответствует требованиям ERP2 и переходит в режим ожидания (выключается), если в течение примерно 20 минут не поступает аудио сигнал. Чтобы снова начать пользоваться устройством, выключите и включите его.**

**Если ваш проигрыватель периодически выключается, это не является дефектом.**

Адаптер сетевого питания

Производитель: БРАЙТПАУЭР ОПТОЭЛЕКТРОНИК ТЕКНОЛОДЖИ ЛТД  
(BRIGHTPOWER OPTOELECTRONIC TECHNOLOGY CO., LTD)



Номер модели: SW1200500-FM

Используйте только источник питания, указанный в данном руководстве

## Гарантийные обязательства

**Срок гарантии** составляет 1 (один) год с даты продажи. **Срок службы** – до 5 (пяти) лет.

Важное примечание: Компания Lenco не обеспечивает обслуживание оборудования в случае непосредственного обращения в головной офис компании.

Важное примечание: Гарантия не действует, если устройство вскрывалось или подвергалось изменениям вне официального сервисного центра.

Это устройство не предназначено для профессионального использования. В случае профессионального использования гарантийные обязательства производителя не будут выполняться.

## Заявление об ограничении ответственности

Обновления микропрограмм и/или компонентов аппаратного обеспечения производятся регулярно. Поэтому некоторые инструкции, спецификации и изображения в этой документации могут незначительно отличаться от Вашей конкретной ситуации. Все элементы, описанные в данном руководстве, предназначены только для иллюстрации и могут не относиться к конкретной ситуации. Из описания, приведенного в этом руководстве, нельзя получить никаких юридических прав.

## Утилизация оборудования



Этот символ означает, что соответствующее электрооборудование или батарея не может быть

утилизирована как обычные бытовые отходы в Европе. Чтобы обеспечить корректную утилизацию данного оборудования руководствуйтесь местными законами или требованиями по утилизации электронного оборудования и батарей. Поступая таким образом, Вы поможете сохранить природные ресурсы и улучшить стандарты защиты окружающей среды при обработке и утилизации электрических отходов (Директива ЕС об отходах электрического и электронного оборудования).

### ДЕКЛАРАЦИЯ СООТВЕТСТВИЯ

Настоящим компания Commaxx заявляет, что тип радиооборудования [Lenco LBT-188 (V2) / LBT-189 / LBT-288] соответствует требованиям директивы 2014/53/ЕС. Полный текст декларации о соответствии нормативным требованиям ЕС доступен по следующей ссылке:

[https://commaxx-certificates.com/doc/abc\\_doc.pdf](https://commaxx-certificates.com/doc/abc_doc.pdf)

Тип РЧ	Диапазон частот	Мощность
Bluetooth	2402-2480	<6

### Маркировка «ЕАС»



Товар сертифицирован для использования на территории Таможенного Союза без каких-либо ограничений. Соответствует требованиям ТР ТС 004/2011 «О безопасности низковольтного оборудования» и ТР ТС 020/2011 «Электромагнитная совместимость технических средств». **Импортер и организация, уполномоченная на принятие претензий:** ООО "Бизнес-фабрика", 123458 г. Москва, ул. Маршала Прошлякова, д. 30, офис 503, +7 495 787 5900. **Изготовитель:** Коммакс Б.В., Вибахштраат 37, 6466НГ, Керкраде, Нидерланды / **Филиал:**

Эс.Ти.Ай. Электроникс Лтд., Юнит 903-907, 9/ЭФ, Лоз Коммершиал Плаза,  
788 Чонг Ша Ван Роуд, Коулун, Гонконг. Сделано в Китае

### **Обслуживание**

Для получения дополнительной информации и обращения в службу поддержки клиентов посетите наш веб-сайт: [www.lenco.ru](http://www.lenco.ru). Дизайн и спецификация могут быть изменены производителем без предварительного информирования.

### **Дата изготовления продукции**

Год и месяц изготовления продукции указаны в номере партии и серийном номере продукта. Ниже описаны способы уточнения этой даты.

- По номеру партии (номер партии указан либо на упаковке устройства, либо на транспортировочной упаковке).
  - Формат номера партии: AAAABDDMY
- По серийному номеру продукта (серийный номер указан на устройстве).
  - Формат серийного номера: AAAABDDMYSSSSSS

Где М (восьмой символ слева) равен месяцу производства, а Y (девятый символ слева) равен году производства. Месяц производства указывается одной из букв латинского алфавита.

Соответствие буквенных обозначений месяца производства:

<b>A</b>	<b>B</b>	<b>C</b>	<b>D</b>	<b>E</b>	<b>F</b>
Январь	Февраль	Март	Апрель	Май	Июнь
<b>G</b>	<b>H</b>	<b>I</b>	<b>J</b>	<b>K</b>	<b>L</b>
Июль	Август	Сентябрь	Октябрь	Ноябрь	Декабрь

Год производства указывается одной цифрой, которая соответствует последней цифре года производства (цифра 1 равна 2021 году производства).

**Пример расшифровки по номеру партии:**

- Номер партии: 2461A05C0
- Где буква C это месяц (Март), а цифра 0 – последняя цифра года производства (2020 год).

**Пример расшифровки по серийному номеру:**

- 2461A05**A**1123456
- Где буква **A** это месяц (Январь), а цифра **1** – последняя цифра года производства (2021 год).

# Гарантийный талон

# Lenco

## Информация об устройстве

Модель:	
Серийный номер:	
Дата продажи:	срок гарантии – 1 (один) год с даты продажи

## Информация о продавце

Название торговой организации:	
Телефон торговой организации:	
Адрес, e-mail:	

Подпись продавца \_\_\_\_\_

М.П.

Подпись покупателя \_\_\_\_\_

*Изделие получил в исправном состоянии и в полной комплектации. С условиями гарантии ознакомлен и согласен.*

**ВНИМАНИЕ! Гарантийный талон недействителен без печати  
продавца.**

Поддержка: [www.lenco.ru](http://www.lenco.ru)