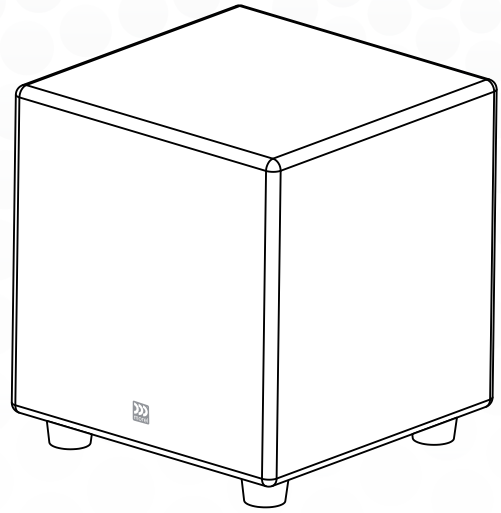




# SUB-8X

## OWNERS MANUAL



**CAUTION**  
RISK OF ELECTRIC SHOCK  
DO NOT OPEN

**CAUTION:** TO REDUCE THE RISK OF ELECTRIC SHOCK, DO NOT REMOVE COVER (OR BACK). NO USER-SERVICEABLE PARTS INSIDE. REFER SERVICING TO QUALIFIED SERVICE PERSONNEL.

The lightning flash with arrowhead symbol within an equilateral triangle, is intended to alert the user to the presence of uninsulated "dangerous voltage" within the product's enclosure that may be of sufficient magnitude to constitute a risk of electric shock to persons.

The exclamation point within an equilateral triangle is intended to alert the user to the presence of important operating and maintenance (servicing) instructions in the literature accompanying the product.

**WARNING**  
TO REDUCE THE RISK OF FIRE OR ELECTRIC SHOCK, DO NOT EXPOSE THIS APPLIANCE TO RAIN OR MOISTURE.

**CAUTION**  
TO PREVENT ELECTRIC SHOCK, MATCH WIDE BLADE OF PLUG TO WIDE SLOT, FULLY INSERT.

**Product Disposal—**  
Certain international, national and/or local laws and/or regulations may apply regarding the disposal of this product. For further detailed information, please contact the retailer where you purchased this product or the Morel Distributor in your country. Morel's distributors can be found at the website:  
**morelhifi.com**



### IMPORTANT SAFETY INSTRUCTIONS READ BEFORE OPERATING EQUIPMENT

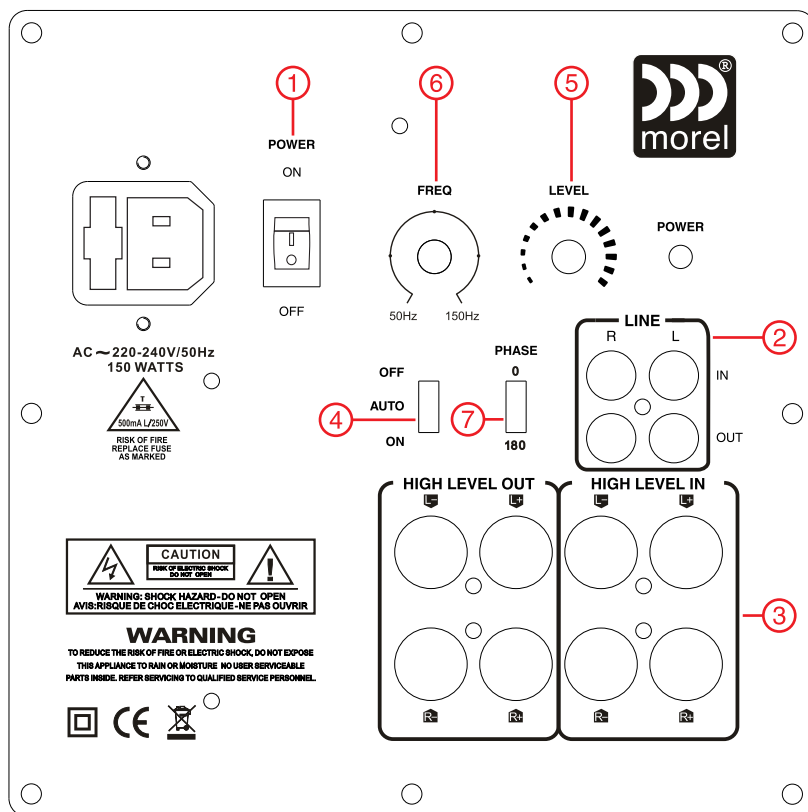
1. Read these instructions.
2. Keep these instructions.
3. Read all warnings.
4. Follow all instructions.
5. Do not use the subwoofer near water.
6. Clean only with dry cloth.
7. Do not block any ventilation openings. Install in accordance with the manufacturer's instructions.
8. Do not install near any heat sources such as radiators, heat registers, stoves, or other apparatus (including amplifiers) that produce heat.
9. Do not defeat the safety purpose of the polarized or grounding-type plug. A polarized plug has two blades with one wider than the other. A grounding type plug has two blades and a third grounding prong. The wide blade or the third prong are provided for your safety. If the provided plug does not fit into your outlet, consult an electrician for replacement of the obsolete outlet.
10. Protect the power cord from being walked on or pinched particularly at plugs, convenience receptacles, and the point where they exit from the apparatus.
11. Only use attachments/accessories specified by the manufacturer.
12. Use only with the cart, stand, tripod, bracket, or table specified by the manufacturer, or sold with the apparatus. When a cart is used, use caution when moving the cart/apparatus combination to avoid injury from tip-over.
13. Unplug this apparatus during lightning storms or when unused for long periods of time.
14. Refer all servicing to qualified service personnel. Servicing is required when the apparatus has been damaged in any way, such as power-supply cord or plug is damaged, liquid has been spilled or objects have fallen into the apparatus, the apparatus has been exposed to rain or moisture, does not operate normally, or has been dropped.
15. **WARNING:** To reduce the risk of fire or electric shock, this apparatus should not be exposed to rain, moisture and objects filled with liquids. should not be placed on this apparatus.
16. To completely disconnect this equipment from the mains, disconnect the power supply cord plug from the receptacle.
17. The main plug of the power supply cord shall remain readily operable.



### SPECIFICATIONS

Construction	MDF coated paint piano finish	Amplifier	80W, class AB, continuous power, all formats compatible with automatic on/off switch, level, crossover and phase controls. Less than 0.5W in standby.
Dimensions	10.6"x11.6"x10.6" (27x29.5x27 cm)	Input	Line-level RCA phono jack / Hi Level In
Drive unit	One 8" subwoofer with 2" voice coil and rear-vented magnet motor	Voltage	220-240VAC 50Hz
Frequency response	35-160Hz	Net weight	16.5 lbs (7.5 Kg)

• Morel operates a product design improvement policy consequently specifications are subject to alterations without prior notice



### AC Power Connection And AUTO ON/OFF (AUTO mute circuit)

The SUB-8X features auto on/off circuitry (4), marked “AUTO”, that automatically turns your subwoofer on when it senses a signal.

To activate it turn the Auto switch to the ON position. When no signal is present, the circuit turns the subwoofer off after a few minutes. If you are concerned about the brief delay between when the music starts and when the subwoofer turns on, simply maintain the main POWER switch (1) in an ON position and turn the AUTO switch off position.

### Volume Level (5)

Adjust by ear using a wide variety of CDs and video sources. Adjust for deep, powerful but pleasant bass.

### Frequency (6)

This control adjusts the frequency range over which the subwoofer operates. When using smaller main speakers, the upper range of the control will probably yield the best results. With larger speakers, the lower end of the control range will probably sound best, but always let your ear be the final judge. If male vocals sound “thin,” turn this control up until the voice sounds rich but not boomy. If male vocals sound too “thick” or “chesty,” turn this control down until the voice sounds natural.

### Phase Switch (7)

Have someone else switch between the two settings while you sit in your favorite listening position. Use music with good bass and a deep male vocal. When you hear the best balance of deep bass and natural lower octaves of the male voice, you have achieved optimum phase tuning.

## SUBWOOFER CONNECTION

**\*Important Note:** Use only one of these options.  
Never combine hookup options.

### OPTION 1-

Receivers that include a "Sub Out" feature- the most common hookup method with Dolby Digital receivers.

NOTE: Use either the L or R Line input **(2)** (another hookup option is to use a Y-split cable and connect both L and R Line inputs). After you make this Sub Out connection, turn the "Low Pass" filter fully clockwise.

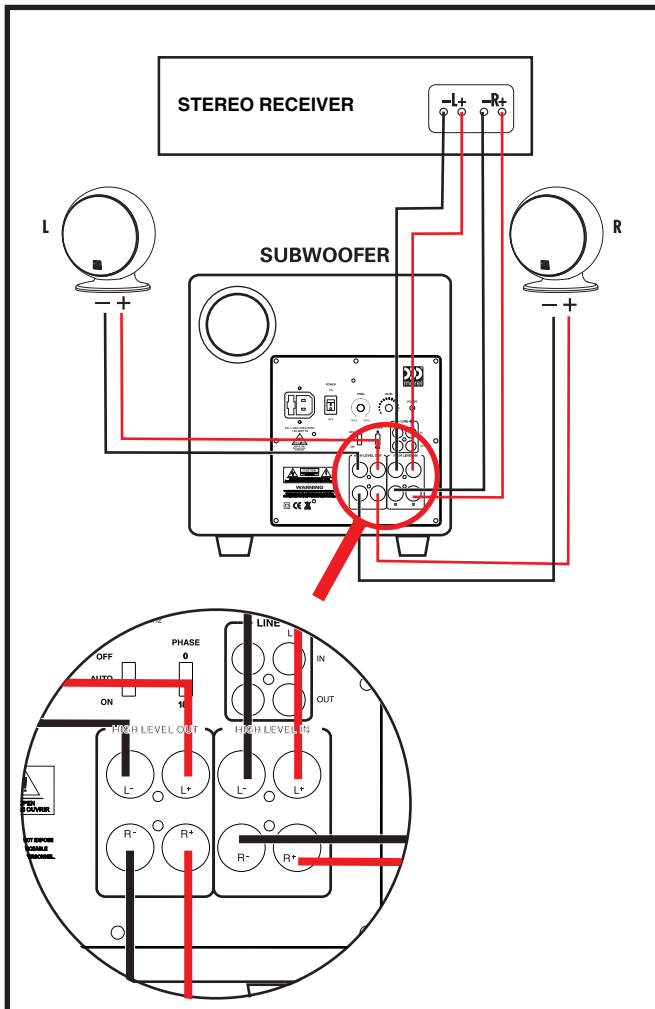
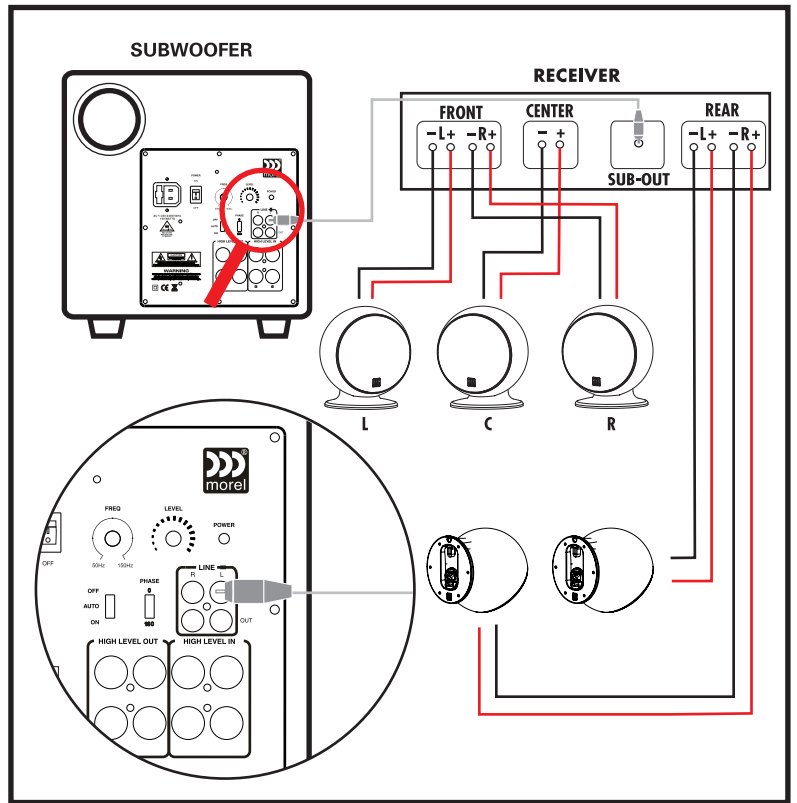
Connect all speakers directly to the receiver. When using method no.1, adjust your receiver's speaker configurations as follow: Set Front, Center and Surround speakers to "small" or "large" according to speaker size and bandwidth.

- Receiver Settings:

- Front, Center and Surrounds= "small/large".
- Subwoofer="ON", or "YES", or "PRESENT"
- Set the crossover frequency on the receiver to 60-120Hz depending on speaker bandwidth.

Consult your receiver's owners manual for speaker configuration.

normally a satellite speaker would be set to "small" and "big"/ floor standing speaker, would be set to "large".



### OPTION 2-

Two channel or more receivers with no "Sub Out".

If you select to use the speaker level input **(3)**, use two-conductor 16 gauge or thicker speaker wires. see your Morel dealer for wire recommendations.

Strip 1/2" (12mm) of insulation from each of the two conductors on both ends to expose the bare wire. Twist the exposed wire of each conductor to form two un-frayed strands.

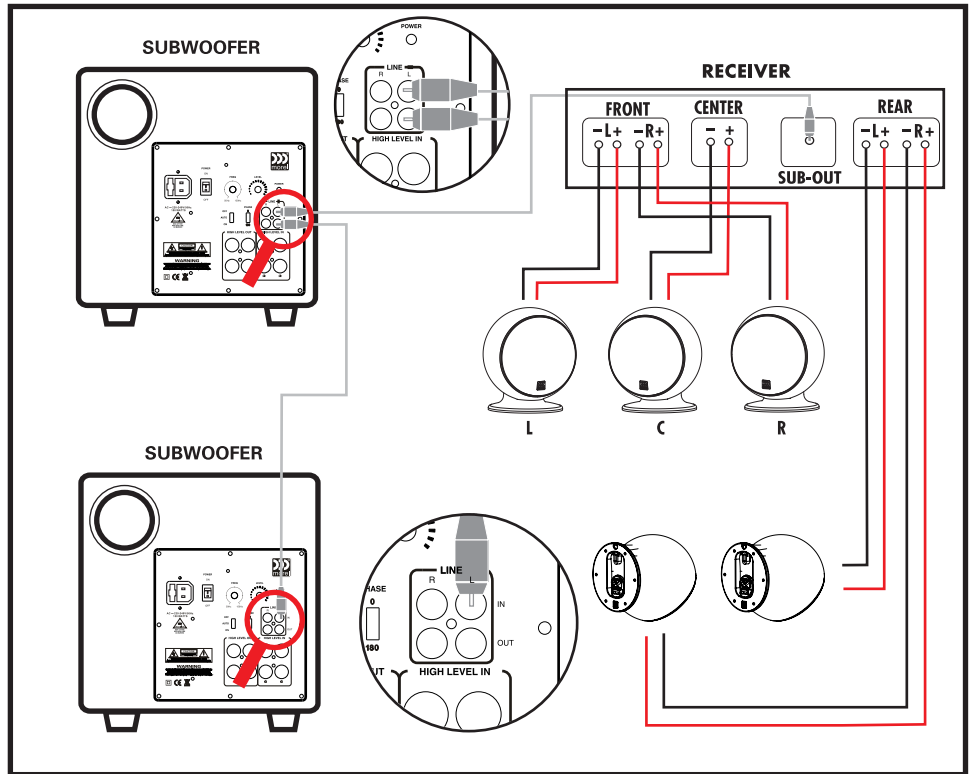
- Connect the left and right front speaker outputs of your receiver to the speaker high level input of the powered subwoofer using speaker wire.
- Then, connect the left and right front speakers using speaker wire from the speaker high level outputs from the powered subwoofer.

Adjust subwoofer level and frequency low pass to match speakers level and frequency to create the best bass reproduction.

NOTE: One of the speaker input terminals on the rear of the speaker is remarked red (+) and the other black (-). Make certain that you connect the wire from the red (+) terminal of your receiver to the red (+) terminal on your speaker, and the wire from the black (-) terminal of the receiver to the black (-) terminal of the speaker. Speaker wire has some indication (such as color coding, ribbing, or writing) on one of the two conductors to help maintain consistency. If your subwoofer doesn't seem to produce much bass, it is most likely that one of the speaker wires is connected backwards. Double check all connections for correct polarity.

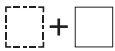
### OPTION 3-

Adding an additional subwoofer to the system is possible by connecting an RCA cable to the Line Output (first subwoofer) and Line Input of the second subwoofer. Use either L or R or Y-splitter as in Option 1.

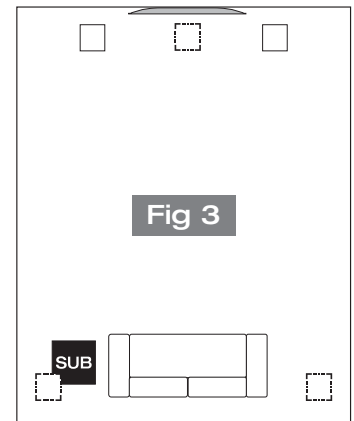
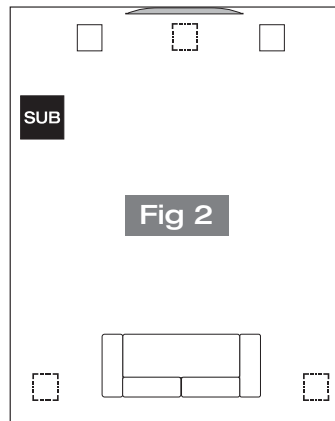
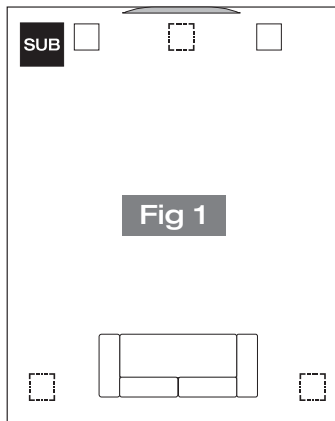


### SUBWOOFER POSITIONING

Full 5.1 surround



stereo mode



To avoid personal injury, install subwoofer in a location where any rear amplifier parts such as panels and/or heatsinks, etc. cannot be accidentally touched.

Bass notes are omni-directional and therefore become less directional as it goes down in frequency. For best sonic Integration with your speakers, locating your subwoofer in-front of the listening room will usually provide the best bass performance (Fig 1). If this location is not possible your subwoofer may be placed anywhere in the room slightly affecting the stereo image of your front speakers or the soundstage of your multichannel speaker system.

PLEASE NOTE:

- Corner placement provides the most bass, but sometimes at the expense of accuracy.
- Usually a subwoofer placed near a wall will provide a good balance of power and accuracy. Controls are provided to align your subwoofer's output with that of the other speakers in your system.

