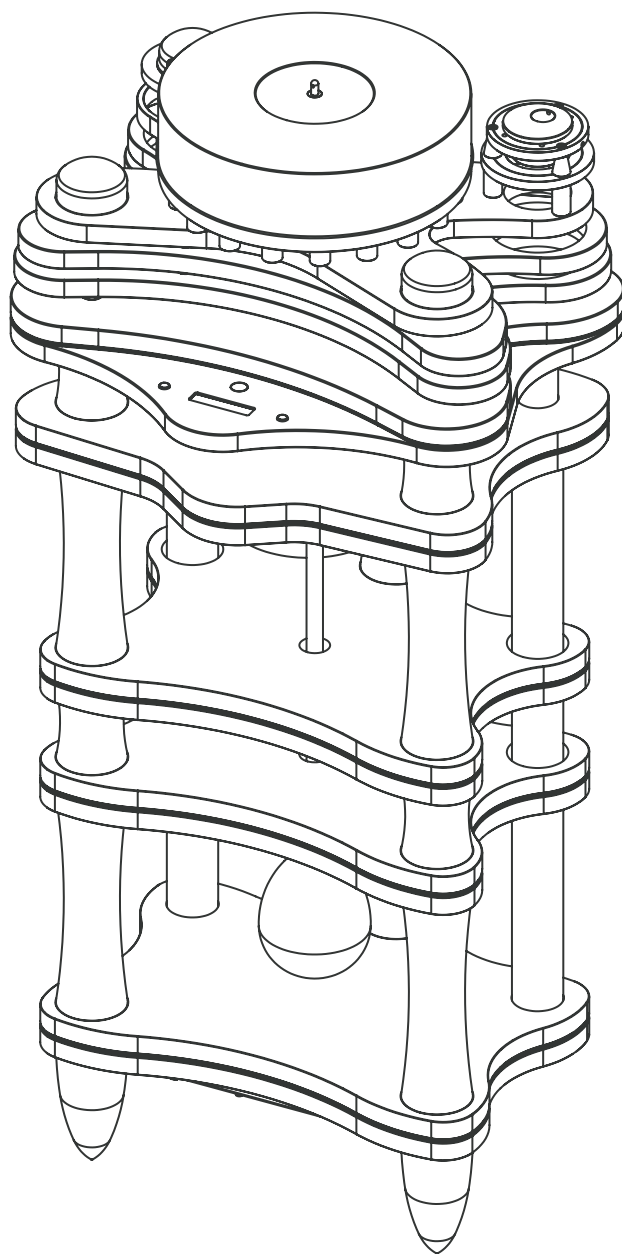


GOLD NOTE
il suono italiano



Bellagio Conquest

IMPORTANT SAFETY INFORMATION

- 1** Read these instructions.
 - 2** Keep these instructions.
 - 3** Heed all warnings.
 - 4** Follow all instructions.
 - 5** Do not use this apparatus near to any water.
 - 6** Clean only with dry cloth.
 - 7** Do not block any ventilation openings. Install in accordance with the manufacturer's instructions.
 - 8** Do not install near any heat sources such as radiators, heat registers, stoves, or other apparatus (including amplifiers) that produce heat.
 - 9** Do not defeat the safety purpose of the polarized or grounding-type plug. A polarized plug has two blades with one wider than the other. A grounding type plug has two blades and a third grounding prong. The wide blade or the third prong are provided for your safety. If the provided plug does not fit into your outlet, consult an electrician for replacement of the obsolete outlet.
 - 10** Protect the power cord from being walked on or pinched particularly at plugs, convenience receptacles, and the point where they exit from the apparatus.
 - 11** Only use attachments/accessories specified by the manufacturer.
 - 12** Use only with the cart, stand, tripod, bracket, or table specified by the manufacturer, or sold with the apparatus. When a cart is used, use caution when moving the cart/apparatus combination to avoid injury from tip-over.
 - 13** Unplug this apparatus during lightning storms or when unused for long periods of time.
 - 14** Refer all servicing to qualified service personnel. Servicing is required when the apparatus has been damaged in any way, such as power-supply cord or plug is damaged, liquid has been spilled or objects have fallen into the apparatus, the apparatus has been exposed to rain or moisture, does not operate normally, or has been dropped.
- Do not expose this apparatus to drips or splashes.
 - Do not place any objects filled with liquids, such as vases, on the apparatus.
 - Do not install this apparatus in a confined space such as a book case or similar unit.
 - The apparatus draws nominal non-operating power from the AC outlet with its POWER or STANDBY/ON switch not in the ON position.
 - The apparatus should be located close enough to the AC outlet so that you can easily grasp the power cord plug at any time.
 - The main plug is used as the disconnect device, the disconnect device shall remain readily operable.
 - If the product uses batteries (including a battery pack or installed batteries), they should not be exposed to sunshine, fire or excessive heat.
 - Caution should be taken when using earphones or headphones with the product because excessive sound pressure (volume) from earphones or headphones can cause hearing loss.

INTRODUCTION

The Bellagio Conquest is the limited edition, ultimate evolution of the best turntable ever designed by Gold Note featuring some great innovations adding the unique technical details of the Bellagio Reference introduced during the end of 2013.

High Mass structure

The Bellagio Conquest features 100 Kg super high mass structure. The upper part of the structure is leveled on a triple multiple plinth handles integrates three adjustable engraved aluminium semi rigid elastic supports covers allow a super fine user friendly fine-tuning.

The main structure is also leveled on adjustable acrylic feet enable a perfect rocker arm axis set up.

Thirteen Different Curved Plinths

The Conquest is the only turntable that features thirteen all different each other curved plinths enabling maximum tiffness and indeformability and allowing the best resonance feedback control. Plinths are interfaced with different thickness titanium spacers joined each other with specially curved machined solid block aluminium and extra large feet.

The Longest Platter Spindle on Ceramic high precision 4,7mm reinforced ball bearing

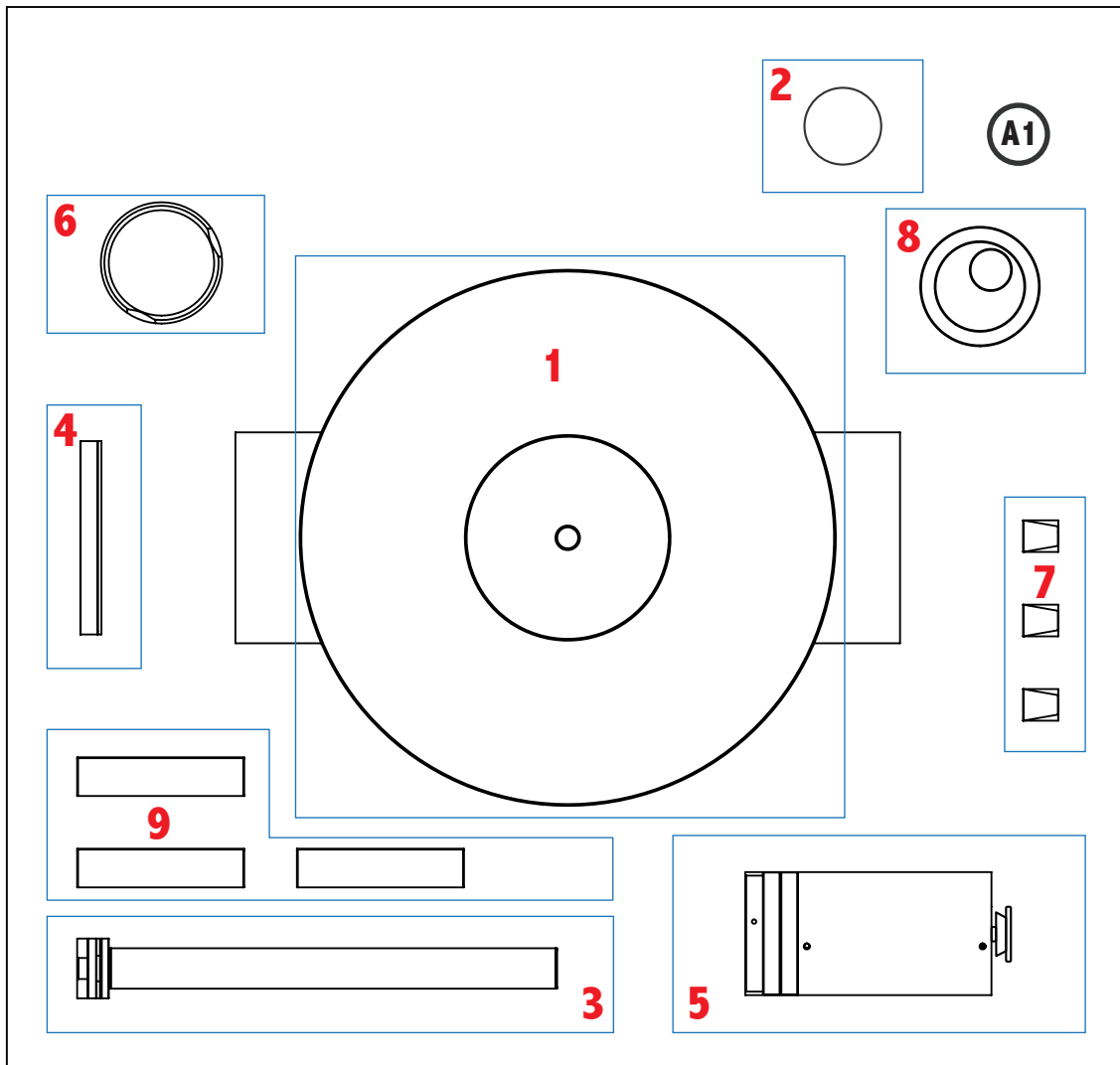
The Bellagio Conquest features a 270 mm long spindle, the longest platter ever made for a turntable. The spindle is made of the hardest carbon steel C40 alloy hardened with a boiling oil process, rectified and polished to guarantee the best smoothest rotation. The bearing is made of bronze polished to get a 1/100-millimeter matching tolerance with the long spindle. The amazing length of the turntable spindle guarantees the smoothest platter rotation available and force distribution control along the spindle axis to enhance unsurpassed audio performance.

The Only Turntable With Power Control and Hour-glass Shaped Motor Pulley

The Conquest is the only turntable that features a power control generator based on PWM technology – Pulse Width Modulation. The PWM power drive generates the power AC-DC-AC enabling the best coupling of the two AC semi- wave for a perfect coupling literally annulling any motor resistance or vibration and allowing the highest motor torque at the same time. The Bellagio Conquest features a massive three transformers power supply to control the best the energy to achieve the highest audio performance. The Conquest also features a new anti-resonating dampened hourglass shaped motor pulley to stop transmission belt vibration. The new pulley is precisely machined and polished to achieve perfect smoothest walls guaranteeing a great low rotational noise and durability of the belt.

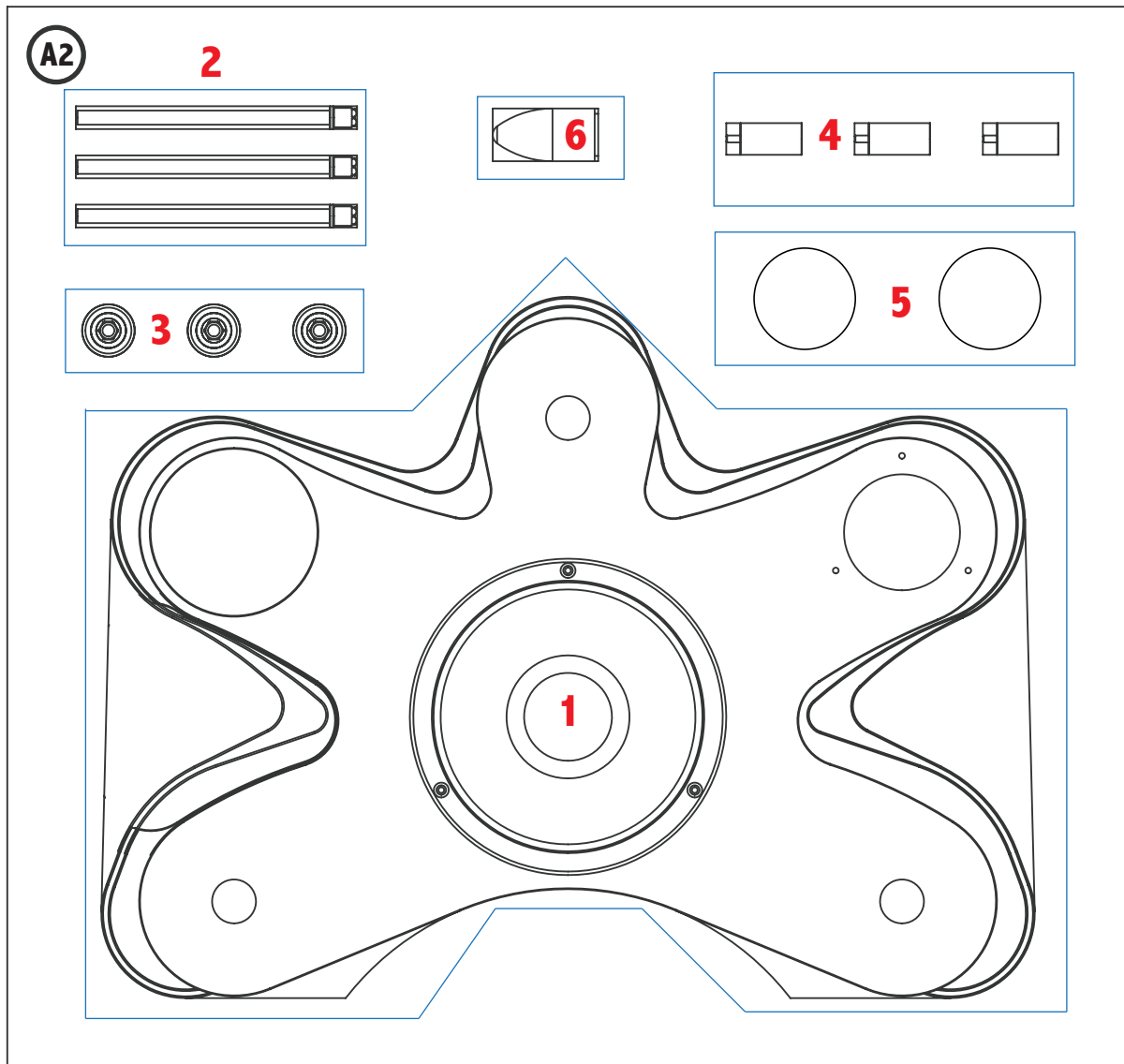
All Gold Note products are proudly designed, manufactured and assembled in Italy 100%

CONTENT OF PACKAGING: Layer A1



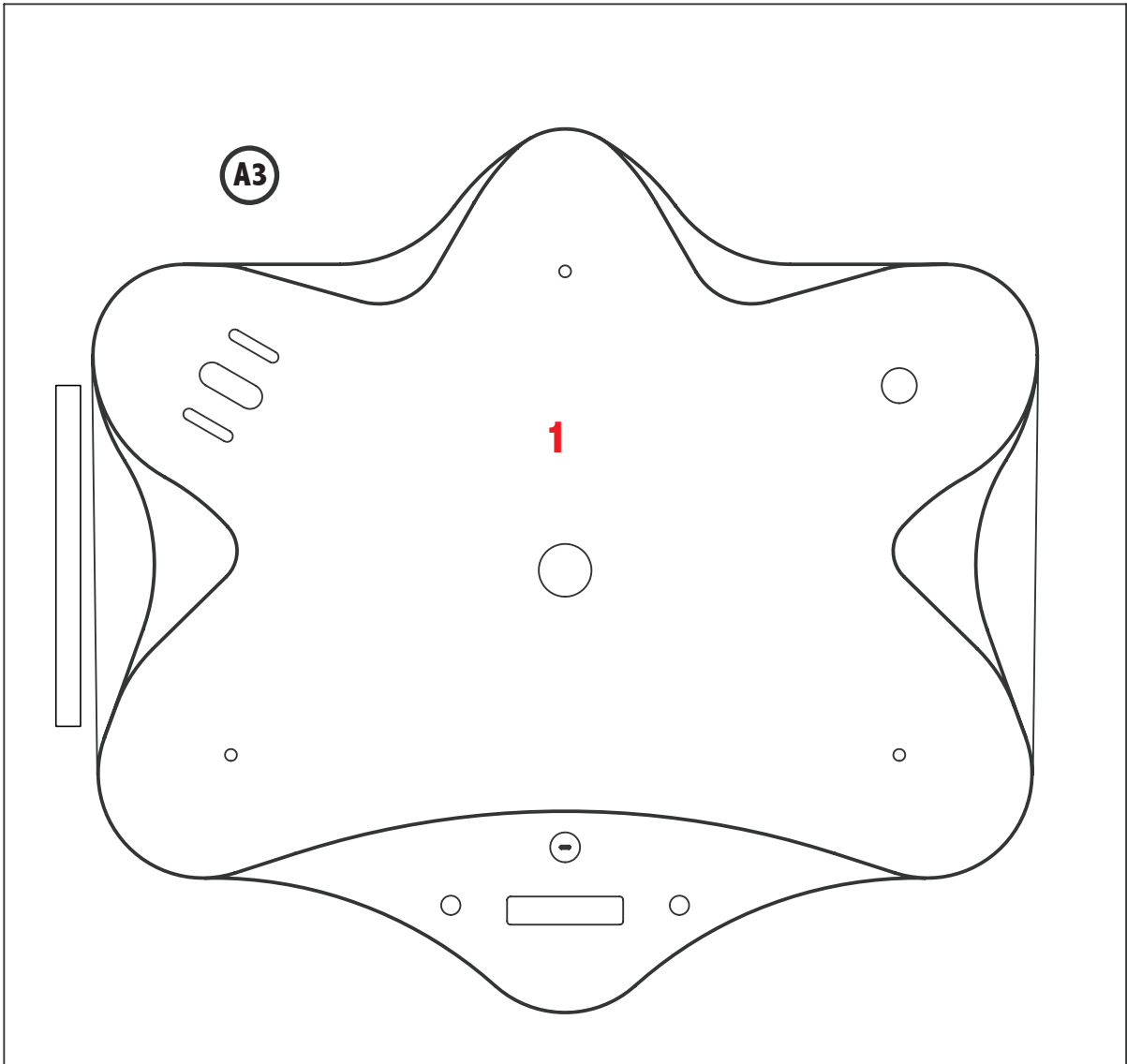
- 1) 110mm thick Platter made of Sustarin Acetamide with counterweights (1x)
- 2) Platter Clamp (1x)
- 3) 270mm Bronze bearing and C40 rectified polished Spindle (1x)
- 4) Platter Spindle Tip (1x)
- 5) Motor Cylinder with motor Pulley (1x)
- 6) Tone Arm Bottom Flange (1x)
- 7) Tone Arm Flange Conical Spacers (3x)
- 8) Tone Arm Board with adapter
- 9) Sleeves for threaded bars (3x)

CONTENT OF PACKAGING: Layer A2



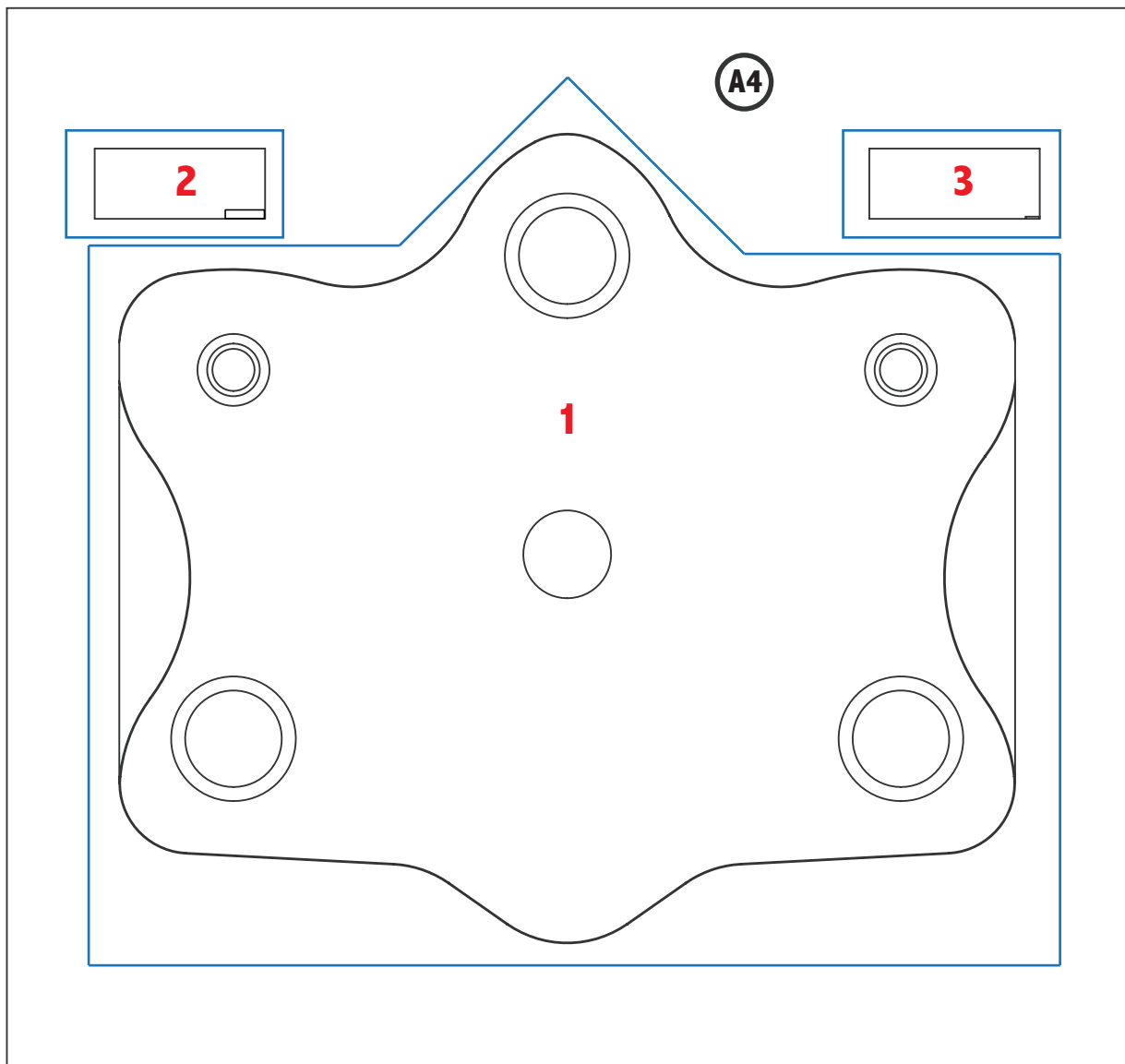
- 1)** Top three layer black acrylic plinth (1x)
- 2)** Threaded Titanium bar (3x)
- 3)** Top Plinth Conical Support (3x)
- 4)** Tone Arm Flange Bottom Support (3x)
- 5)** Front Aluminium Conical Support Cover (2x)
- 6)** Rear Conical Support Cover (1x)

CONTENT OF PACKAGING: Layer A3



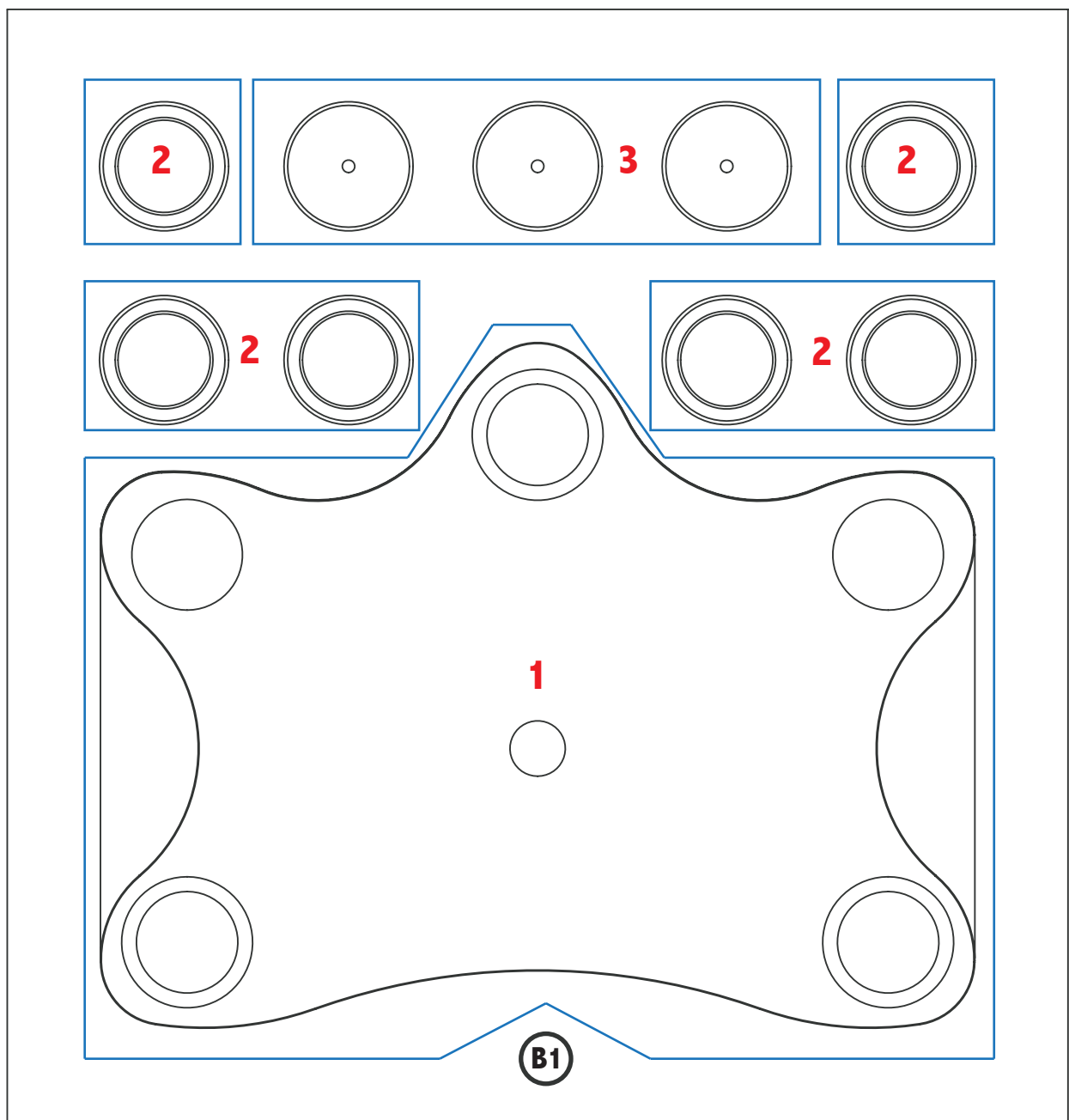
- 1) CPU black acrylic double plinth with display and keyboard to control the turntable (1x)

CONTENT OF PACKAGING: Layer A4



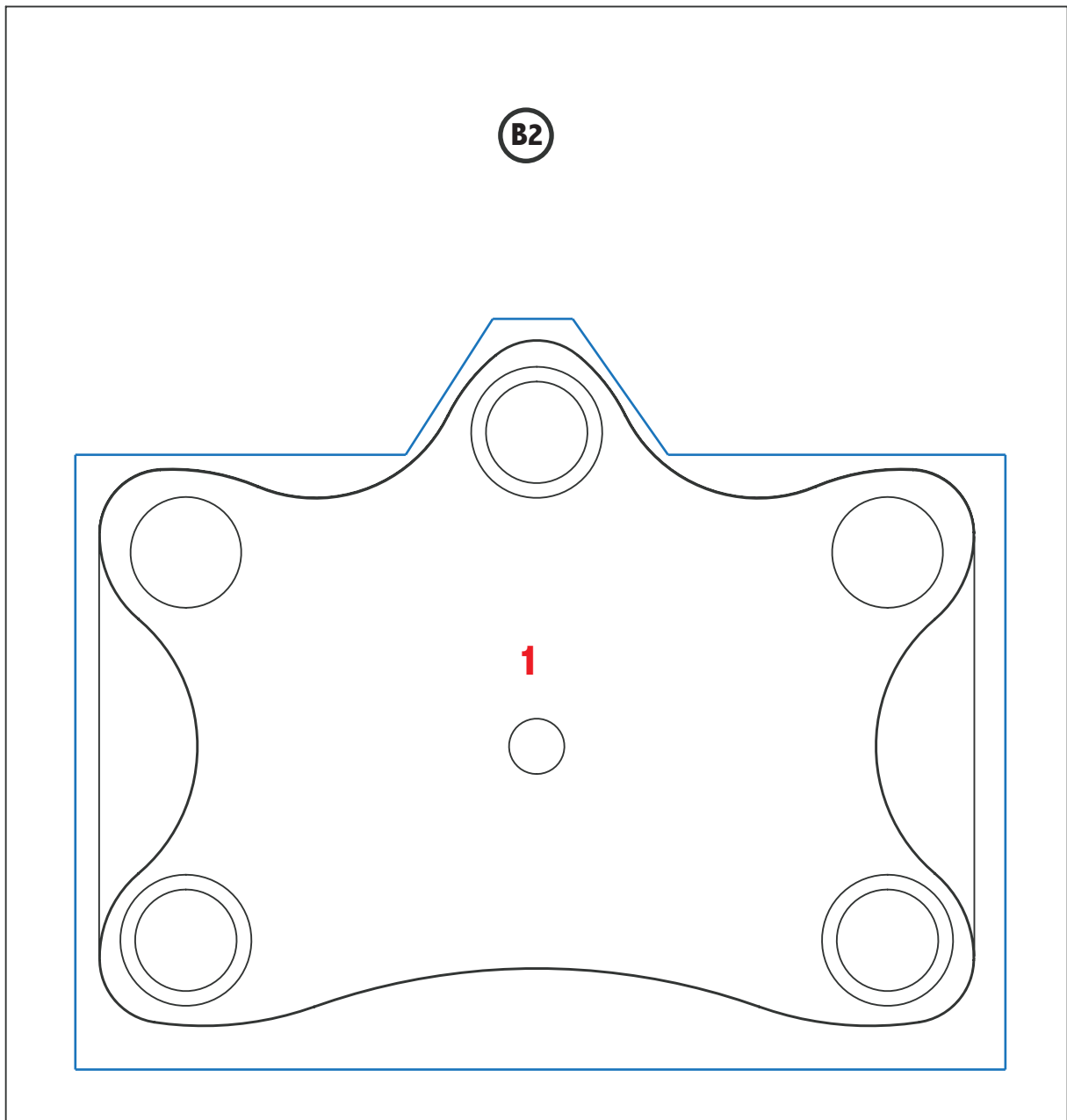
- 1)** Lower CPU black acrylic double Plinth/Top plinth of the integrated turntable stand (1x)
- 2)** Aluminium sleeve for power supply
- 3)** Aluminium sleeve for tonearm cable

CONTENT OF PACKAGING: Layer B1



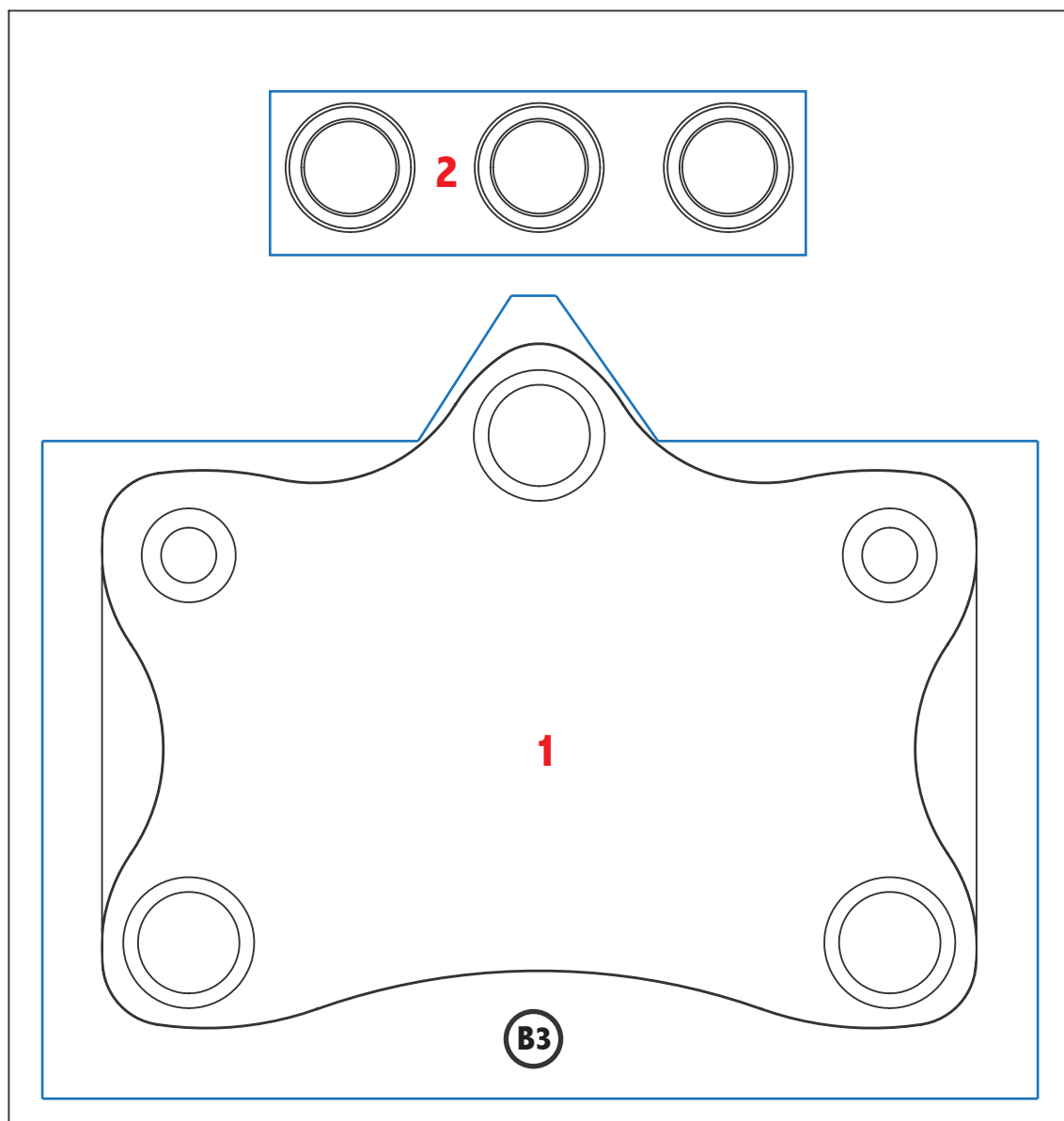
- 1) 1° Black Acrylic Middle double plinth part of Integrated stand (1x)
- 2) Long aluminium threaded legs (6x)
- 3) Top aluminium threaded legs (3x)

CONTENT OF PACKAGING: Layer B2



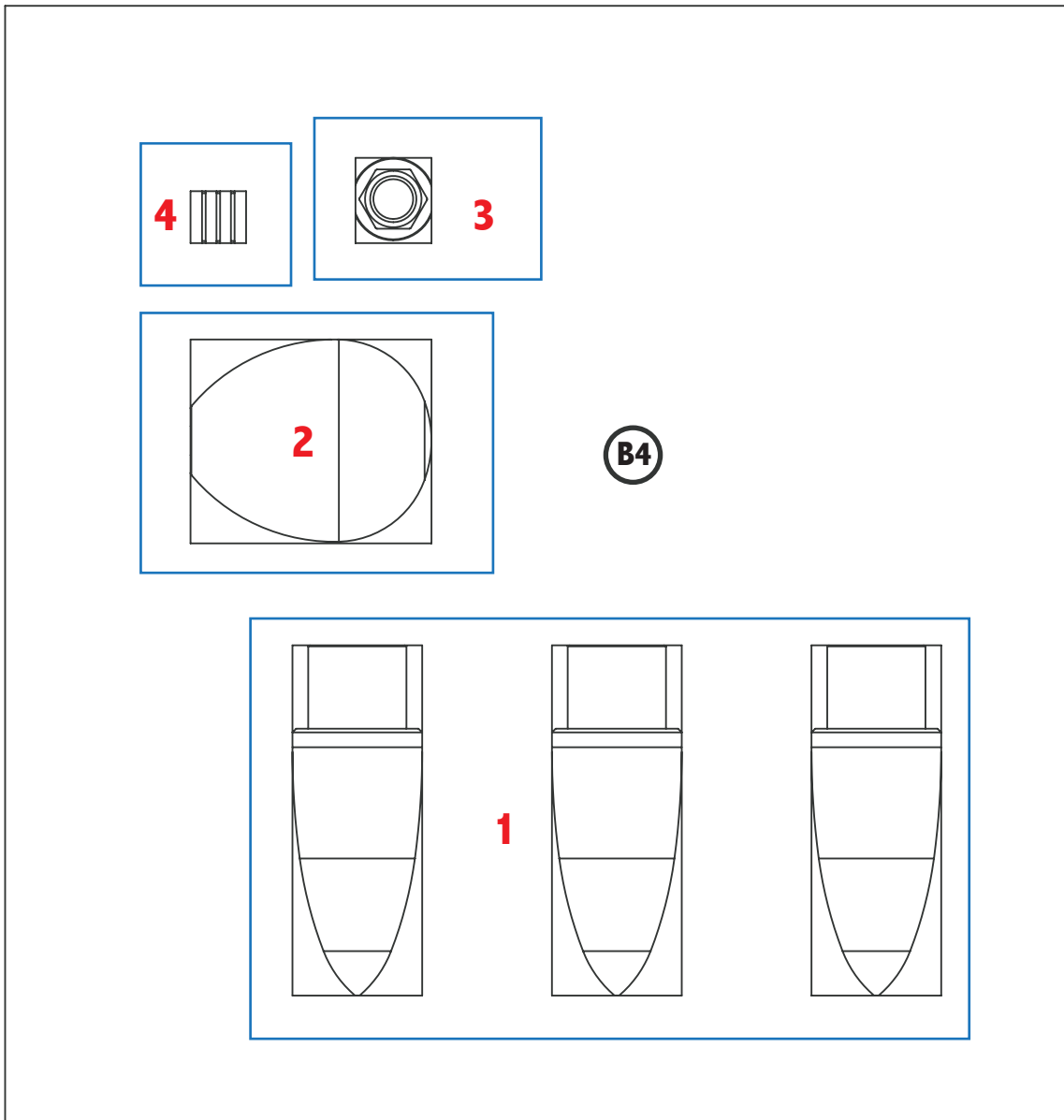
- 1)** 2° Black Acrylic Middle double plinth part of Integrated stand (1x)

CONTENT OF PACKAGING: Layer **B3**



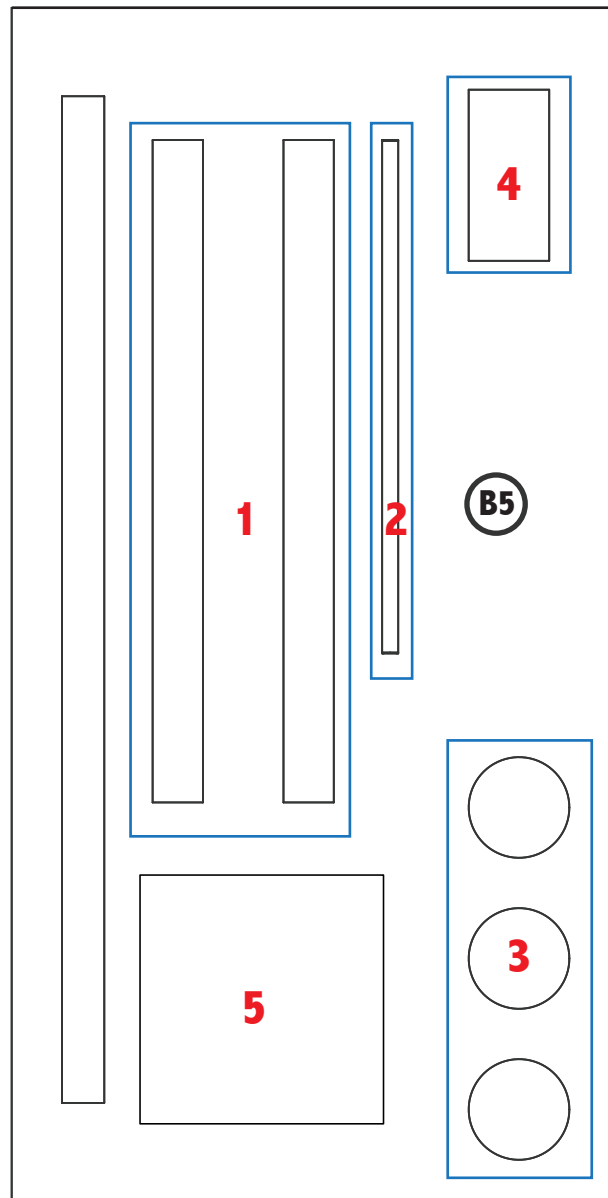
- 1)** Bottom black acrylic double plinth (1x)
- 2)** Short Aluminium Threaded Legs (x3)

CONTENT OF PACKAGING: Layer B4



- 1)** Giant Aluminium stand feet (3x)
- 2)** Rocker Arm Counterweight (1x)
- 3)** Aluminium Platter Bearing blocking Nut (1x)
- 4)** Bronze threaded junction (1x)

CONTENT OF PACKAGING: Layer B5



**At the top of the layer
you found:**

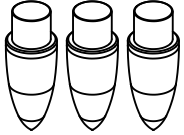
- Felt Mat (1x)
- Stroboscope (1x)

- 1)** Cable Pipe (2x)
- 2)** Rocker Arm Stainless Steel bar (1x)
- 3)** 100x40mm adjustable foot washers (3x)
- 4)** Power cord (1x)
- 5)** Misc parts
 - Belt (2x)
 - Grease vessel for turntable legs threading (1x)
 - Oil vessel for Platter Spindle/Bearing (1x)
 - 10mm L shape Titanium Wrench for top plinth height adjusting (1x)
 - 2mm Allen wrench with handle (1x)
 - 3mm Allen wrench for Flanges fixing screws (1x)
 - 5mm Allen wrench for Motor fixing screws (1x)
 - 6x60mm Motor Allen Screws (2x)
 - 4x40mm Arm Board Allen Screws (3x)
 - Anti-scratch gloves (1x)
 - 13 mm wrench (1x)

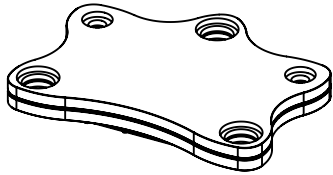
ASSEMBLING THE TURNTABLE STAND

STEP 1

For the **STEP 1** take the following parts:



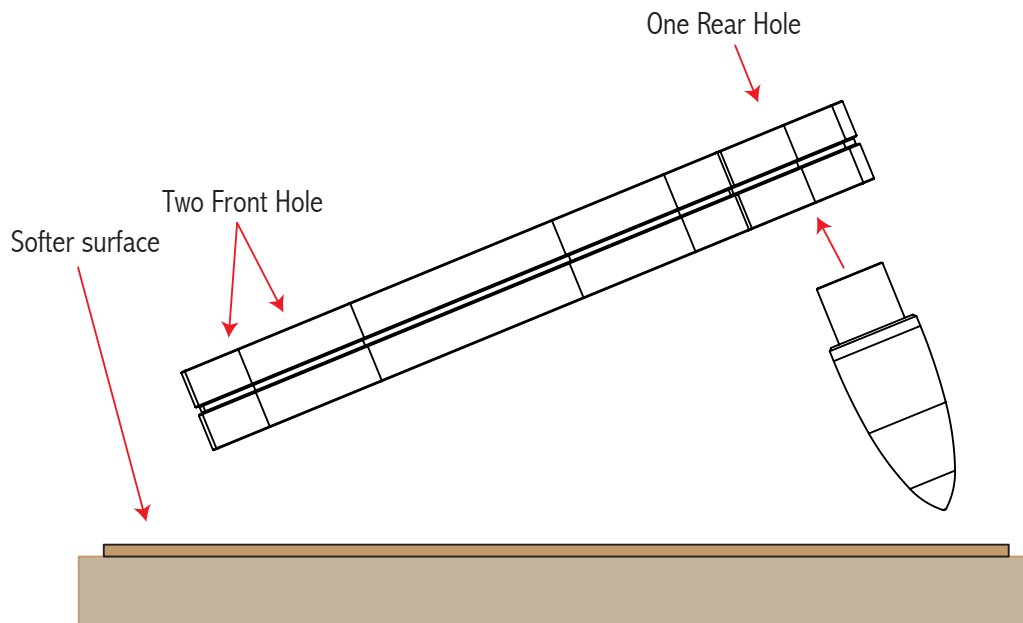
(3x) Giant Aluminium stand Foot located located in the layer **B4** position **1**



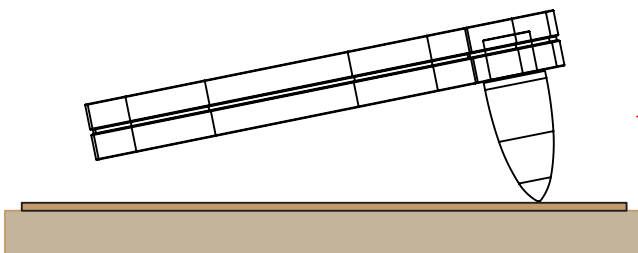
1x Bottom black acrylic double plinth located in the layer **B3** position **1**

STEP 1-1

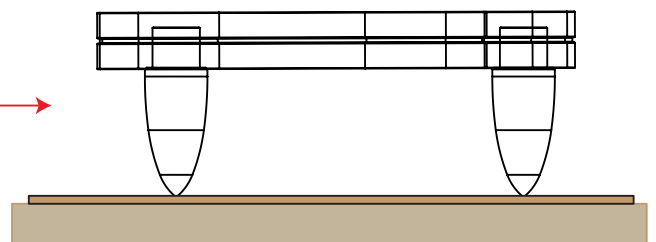
Place the plinth on a soft flat surface on floor and carefully insert the first foot on the rear hole (at the center) of the plinth as shown in the picture. Then proceed to insert the other two feet as shown in Step 1-2 and 1-3.



STEP 1-2



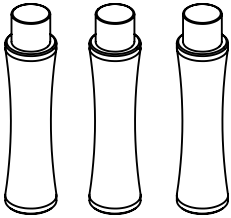
STEP 1-3



ASSEMBLING THE TURNTABLE STAND

STEP 2

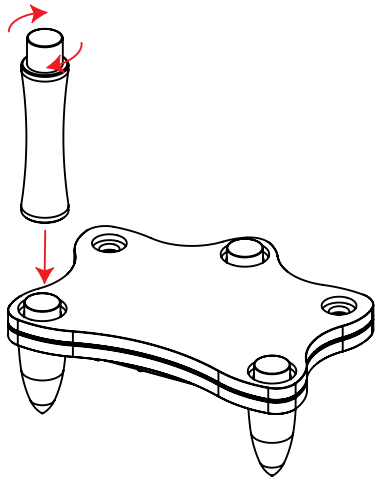
For the **STEP 2** you need these parts:



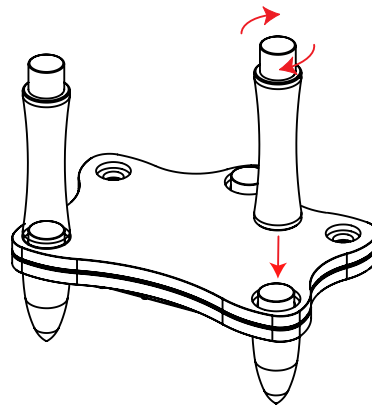
(3x) Long Aluminium Threaded leg in the layer located in **B1** position **2**

STEP 2-1

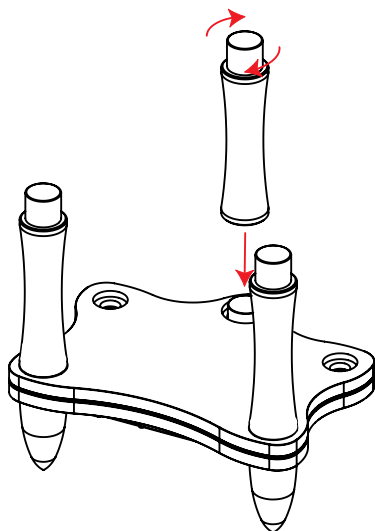
Screw the threaded legs one at a time as show in the pictures. Use the grease supplied (**B5** position **5**) to install the legs more easily.



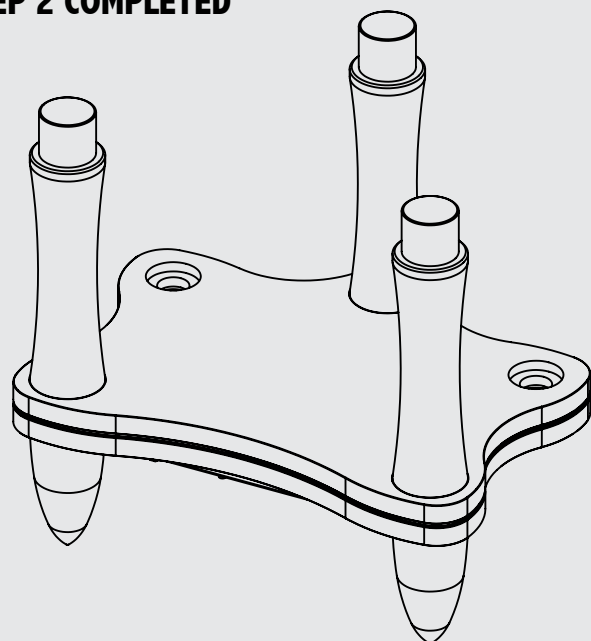
STEP 2-2



STEP 2-3



STEP 2 COMPLETED



ASSEMBLING THE TURNTABLE STAND

STEP 3

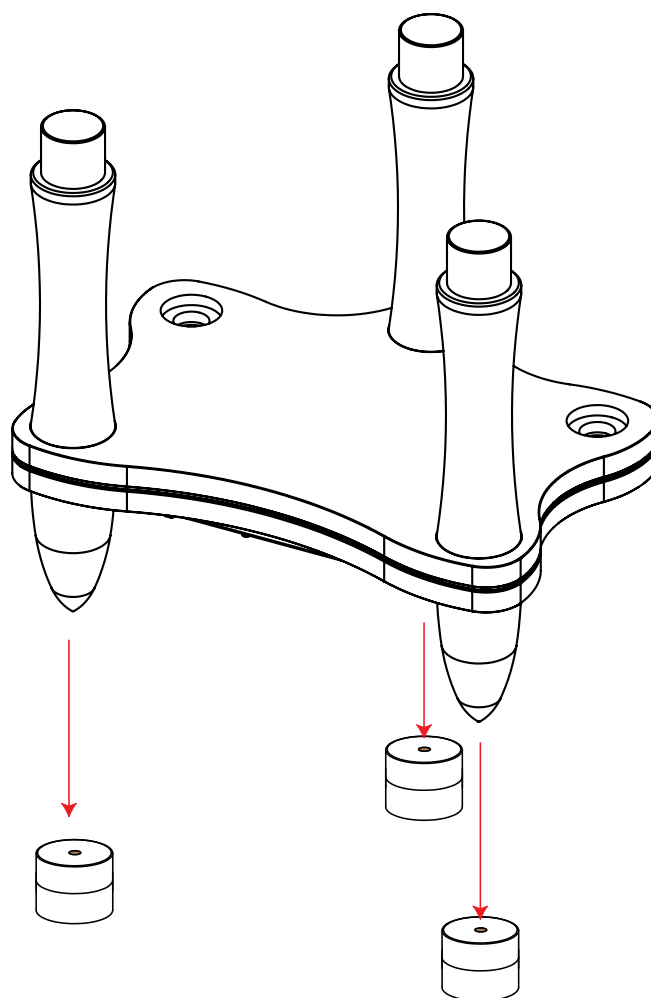
For the **STEP 3** you need these parts:



(3x) 100x40 Adjustable Foot Washer located in the layer **B5** position **3**

STEP 3-1

Install the foot washers underneath each foot. Once done, level horizontally the base of the stand by rotating clockwise or anti-clockwise the washers.

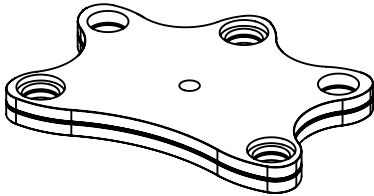


PLEASE NOTE: The foot washers are not shown in some of the images shown on the other pages of the manual, please do not remove them as you proceed with the installation.

ASSEMBLING THE TURNTABLE STAND

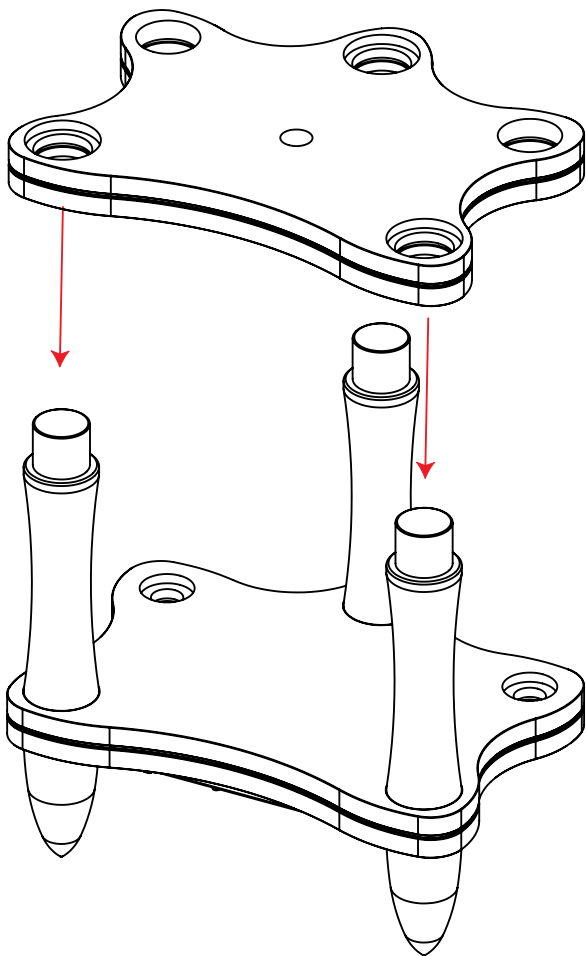
STEP 4

For the **STEP 4** you need this part:

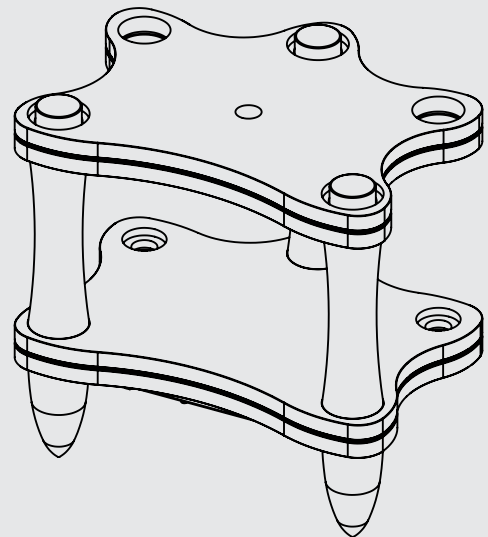


1° Black Acrylic Middle double plinth part of Integrated stand (1x)
located in **B1** position **1**

Simply lay down the Black Acrylic Middle double plinth being sure to face up the polished side without any blocking screws



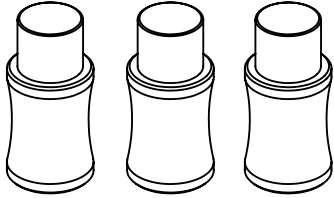
STEP 4 COMPLETED



ASSEMBLING THE TURNTABLE STAND

STEP 5

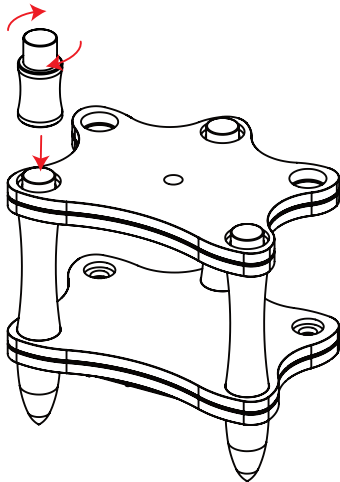
For the **STEP 5** you need these parts:



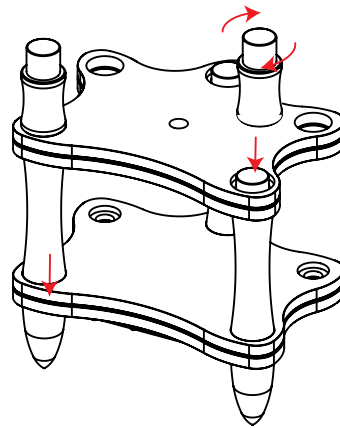
(3x) Short Aluminium Threaded Leg located in **B3** position **2**

STEP 5-1

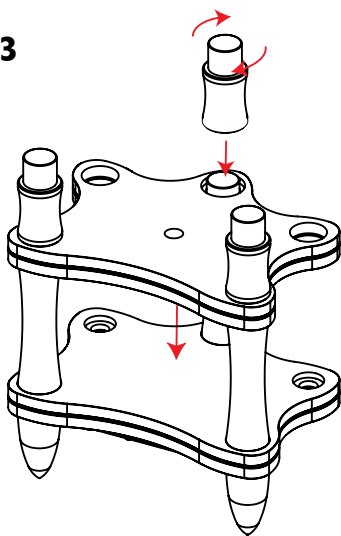
Screw the threaded legs one at a time as show in the pictures with the help of the grease supplied.



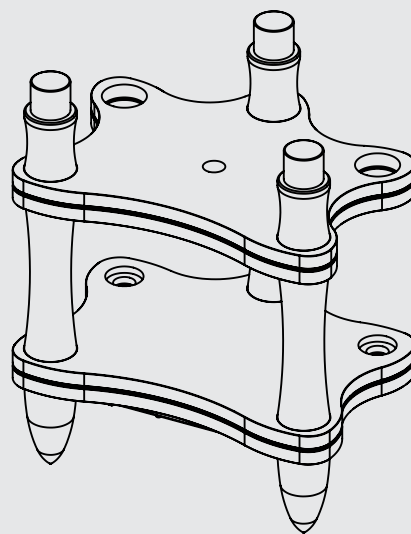
STEP 5-2



STEP 5-3



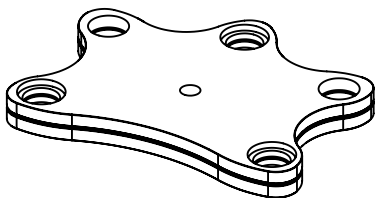
STEP 5 COMPLETED



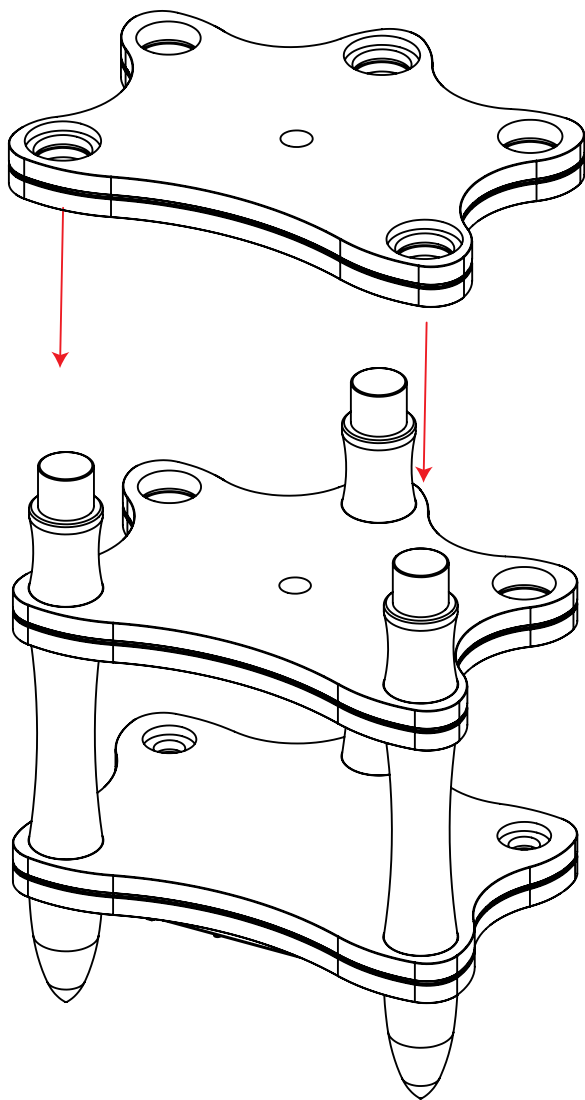
ASSEMBLING THE TURNTABLE STAND

STEP 6

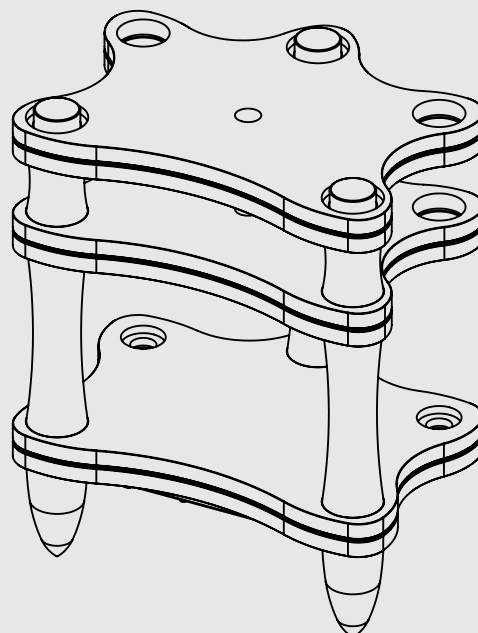
For the **STEP 6** you need these parts:



2° Black Acrylic Middle double plinth part of Integrated stand (1x)
located in **B2** position **1**



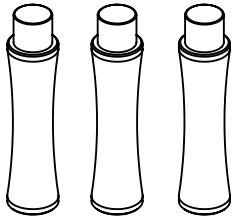
STEP 6 COMPLETED



ASSEMBLING THE TURNTABLE STAND

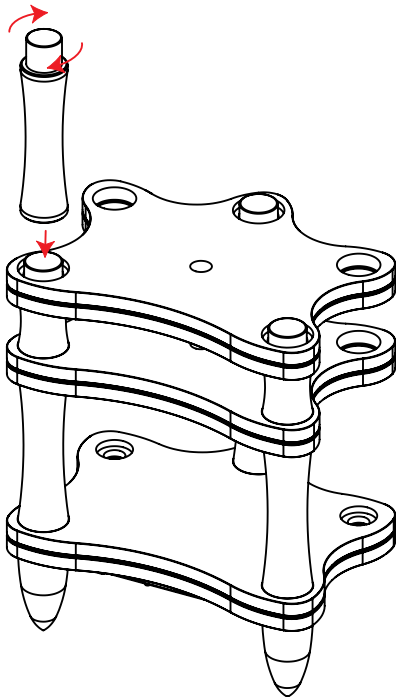
STEP 7

For the **STEP 7** you need these parts:

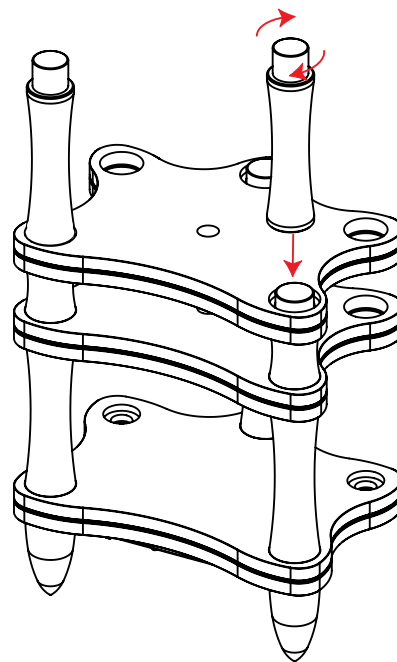


(3x) Long aluminium threaded leg in the layer located in **B1** position **2**

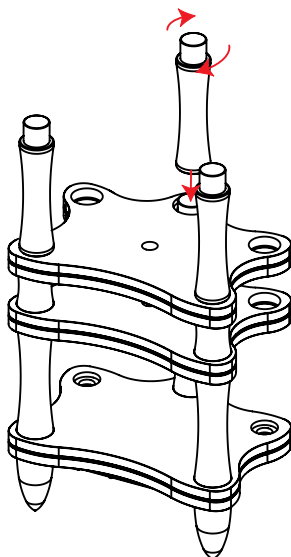
STEP 7-1



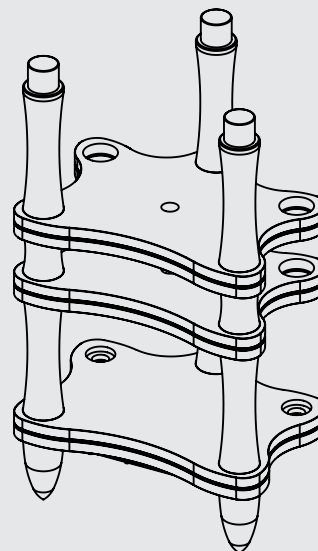
STEP 7-2



STEP 7-3



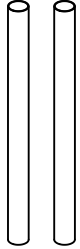
STEP 7 COMPLETED



ASSEMBLING TURNTABLE STAND [Cable Pipes]

STEP 8

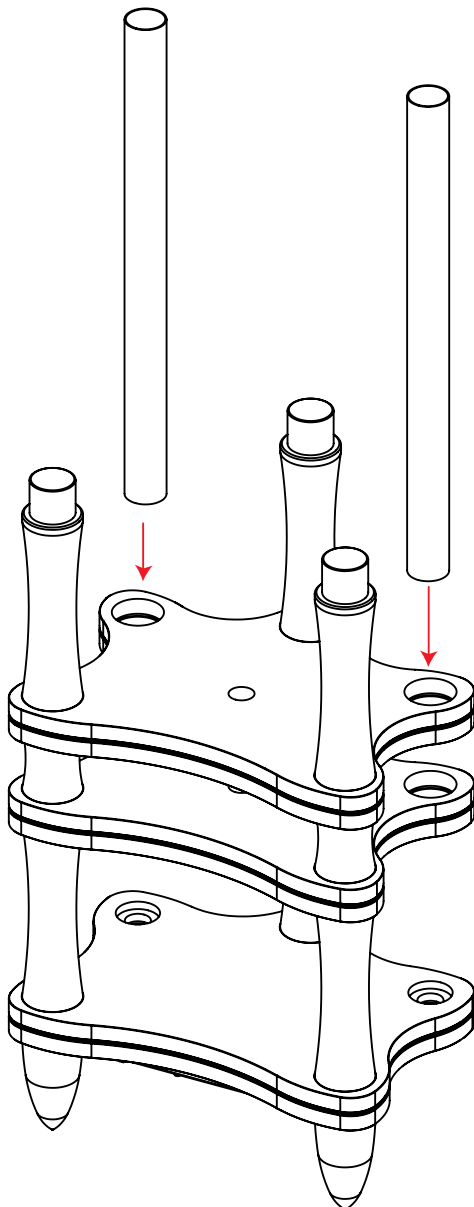
For the **STEP 8** you need these parts:



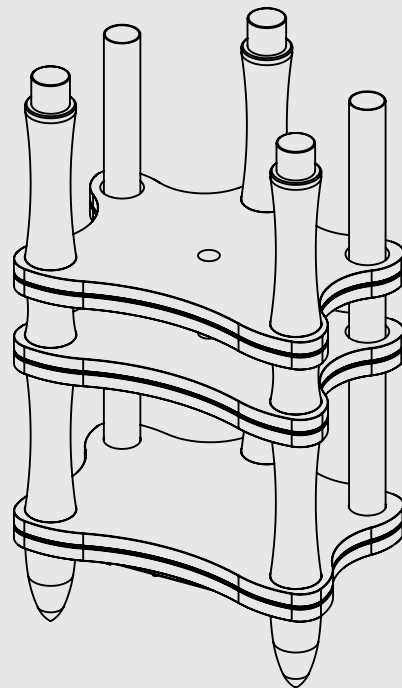
Cable Pipe (2x) located in **B5** position **1**

STEP 8

Feed the cable pipes into the rear holes of the stand. They will be used to cover the cables of the power supply, the motor and eventually the main tonearm cable.



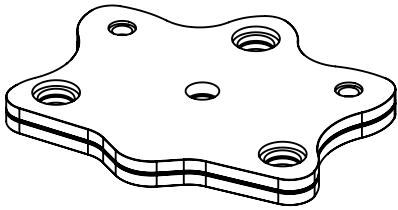
STEP 8 COMPLETED



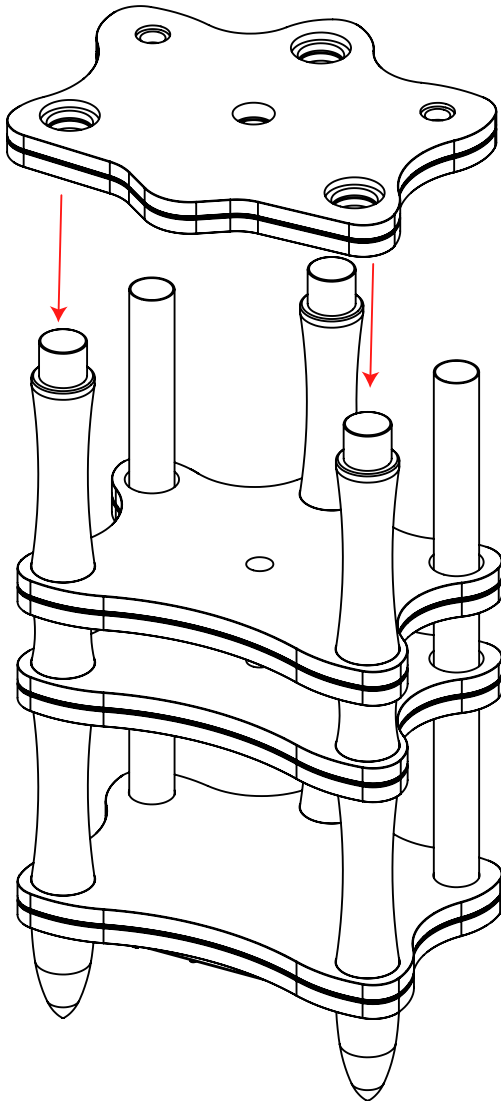
ASSEMBLING THE TURNTABLE STAND

STEP 9

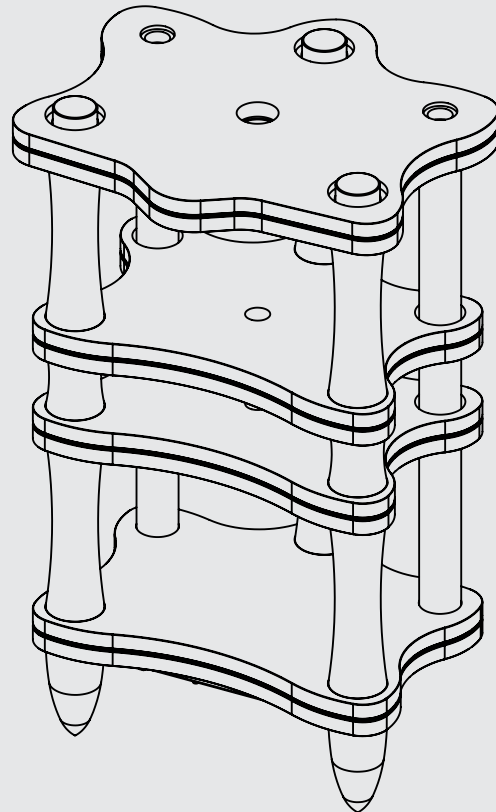
For the **STEP 9** you need this part:



Lower CPU black acrylic double Plinth/Top plinth of the integrated turntable stand (1x) located in **A4** position **1**



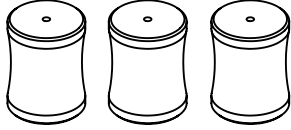
STEP 9 COMPLETED



ASSEMBLING TURNTABLE STAND [CPU supports]

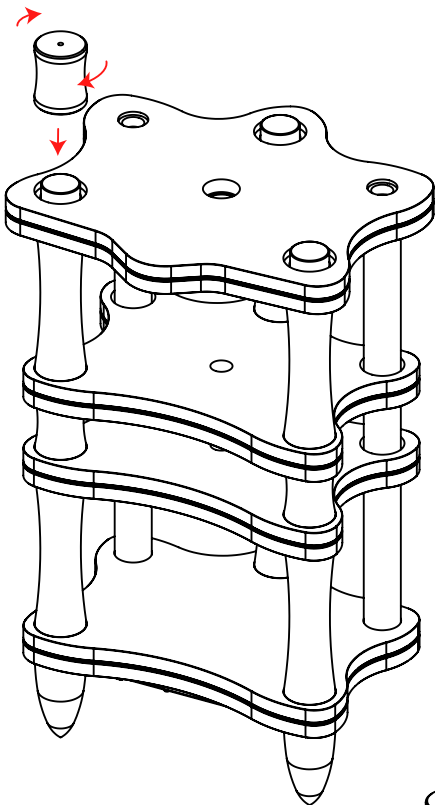
STEP 10

For the **STEP 10** you need these parts:

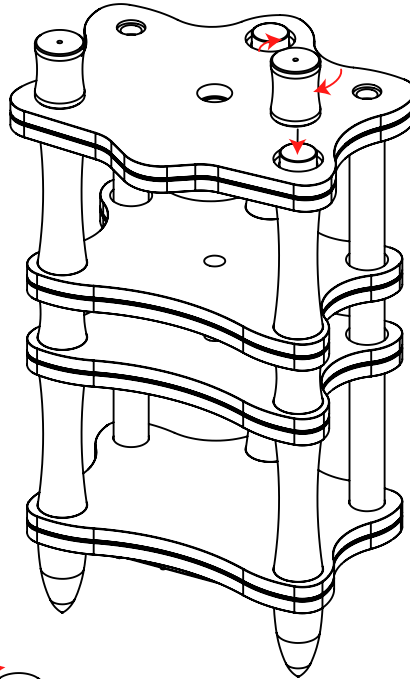


(3x) Top Aluminium Threaded leg located in **B1** position **3**

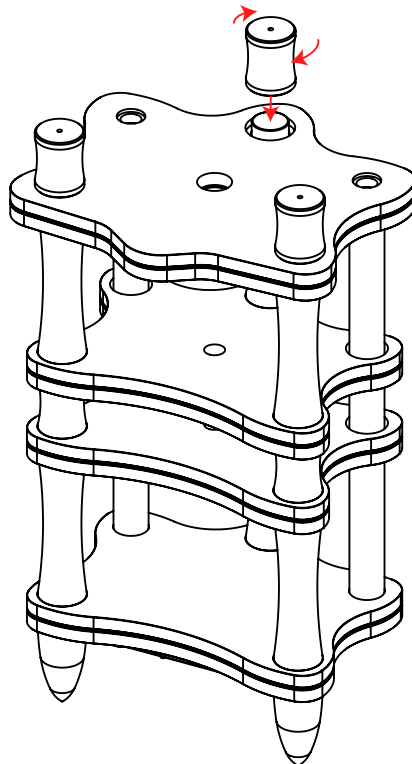
STEP 10-1



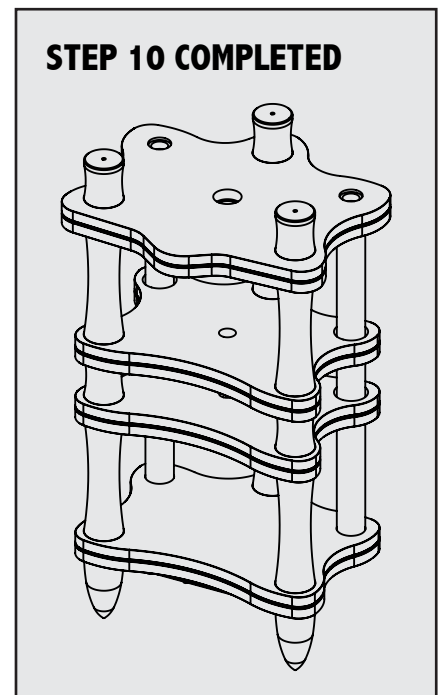
STEP 10-2



STEP 10-3



STEP 10 COMPLETED

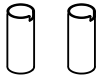


ASSEMBLING TURNTABLE STAND [Cable Covers & Rocker Weight Bar]

STEP 11

For the **STEP 11** you need these parts:

 Rocker Arm Stainless Steel bar (1x) located in **B5** position **2**



Aluminium sleeve for power supply and sleeve for tonearm cable located in **A4** position **2** and **3**



Bronze threaded junction located in **B4** position **4**

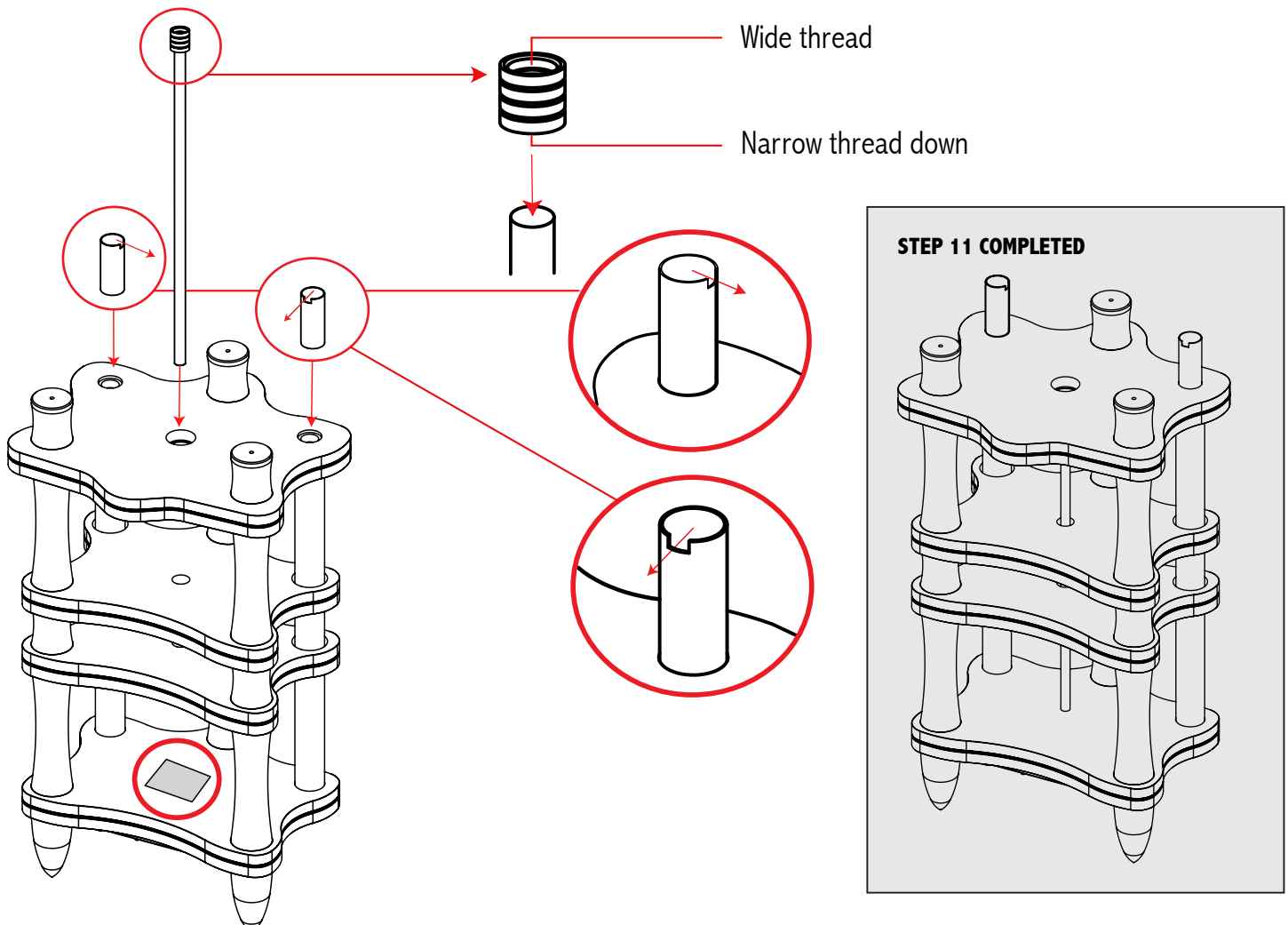
STEP 11-1

Install the bronze threaded junction on the rocker arm bar using the side with the narrow threading (ensure the wide threading is facing upwards, on the opposite side from the arm). Feed the rocker arm bar assembly into the centre hole of the stand as shown in the picture.

PLEASE NOTE: Place a soft cloth on the bottom plinth to prevent the rocker arm bar from scratching the acrylic surface.

STEP 11-2

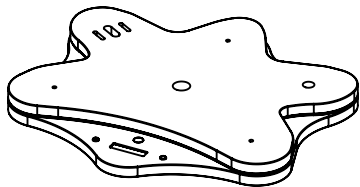
Lay down the Aluminium power supply & tone arm cable covers exactly as shown in the picture below



ASSEMBLING TURNTABLE [CPU Plinth]

STEP 12

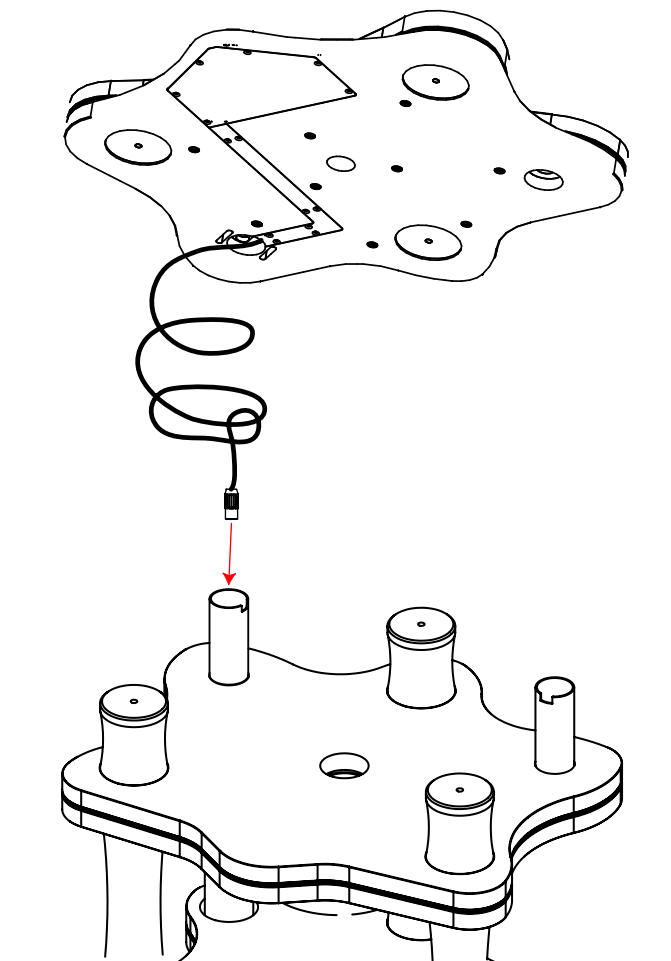
For the **STEP 12** you need these parts:



CPU black acrylic double plinth with display and keyboard to control the turntable (1x) located in **A3** position **1**

STEP 12-1

Insert the cable of the CPU plinth into the Cable Pipe as shown in the picture aside.



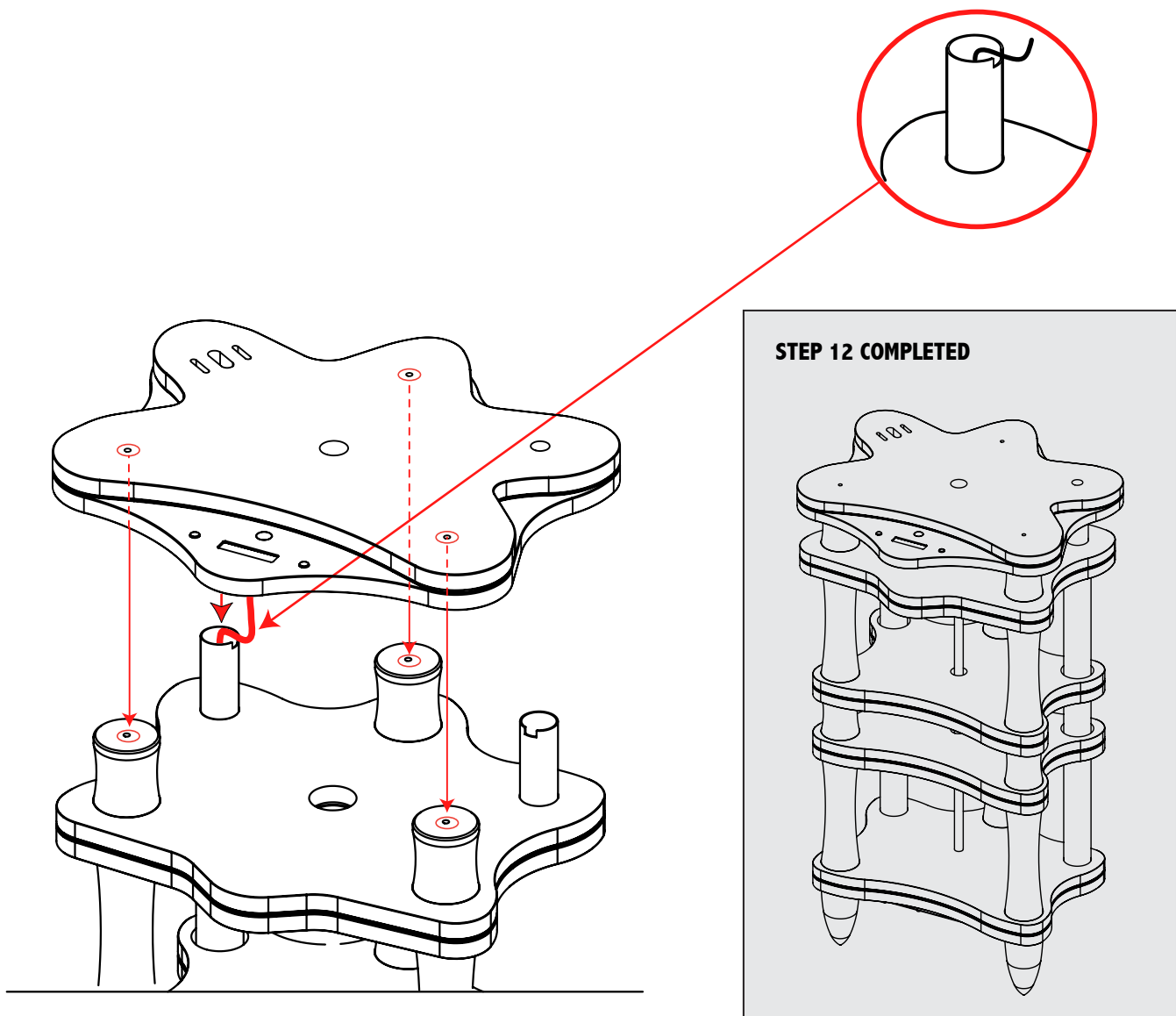
ASSEMBLING TURNTABLE [CPU Plinths]

STEP 12

STEP 12-3

Ensure to center the black acrylic double plinth on the threaded legs.

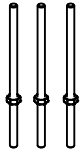
PLEASE NOTE: The cable must be fed into the pipe as shown in the detailed picture.



ASSEMBLING TURNTABLE TOP PLINTH [Threaded Bars]

STEP 13

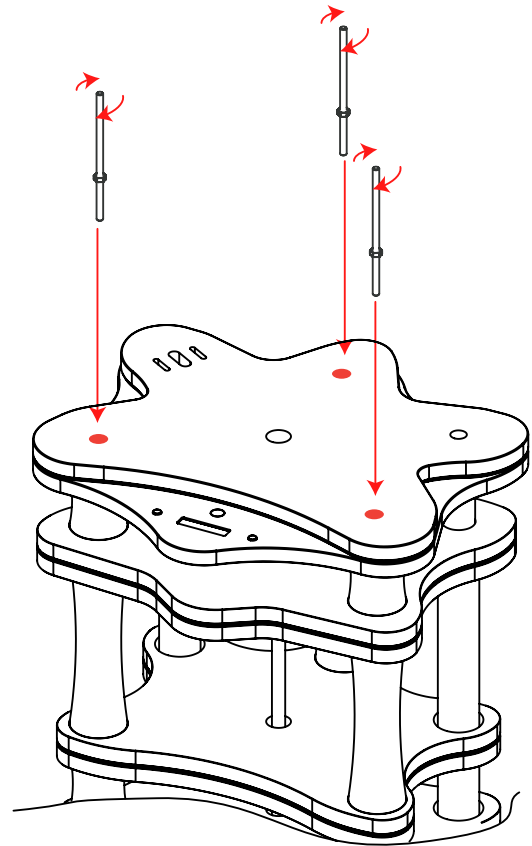
For the **STEP 13** you need these parts:



Threaded Titanium bar (3x) located in layer **A2** position **2**

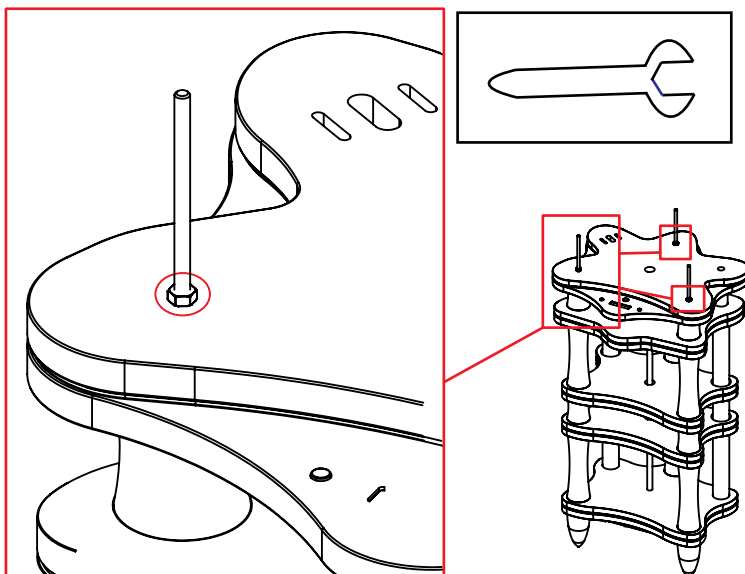
STEP 13-2

Screw the titanium threaded bars with the Nuts/ Washers facing down into the plinth.

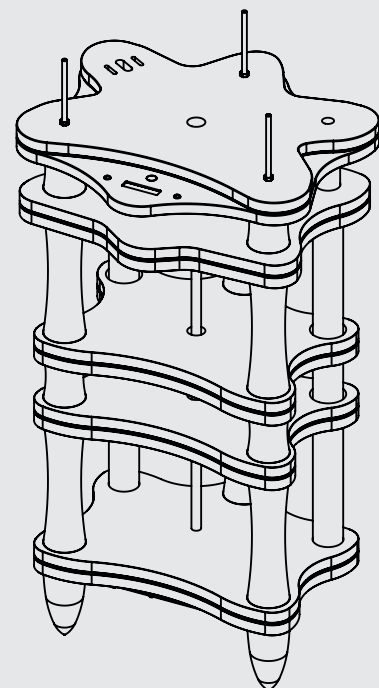


STEP 13-3

Tighten the nuts with the 13mm Wrench supplied (**B5** position **5**). Position the Nylon washers accurately to avoid damaging the acrylic surface and dampen the brass nut.



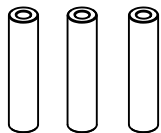
STEP 13-3 COMPLETED



ASSEMBLING TURNTABLE TOP PLINTH [Sleeves]

STEP 14

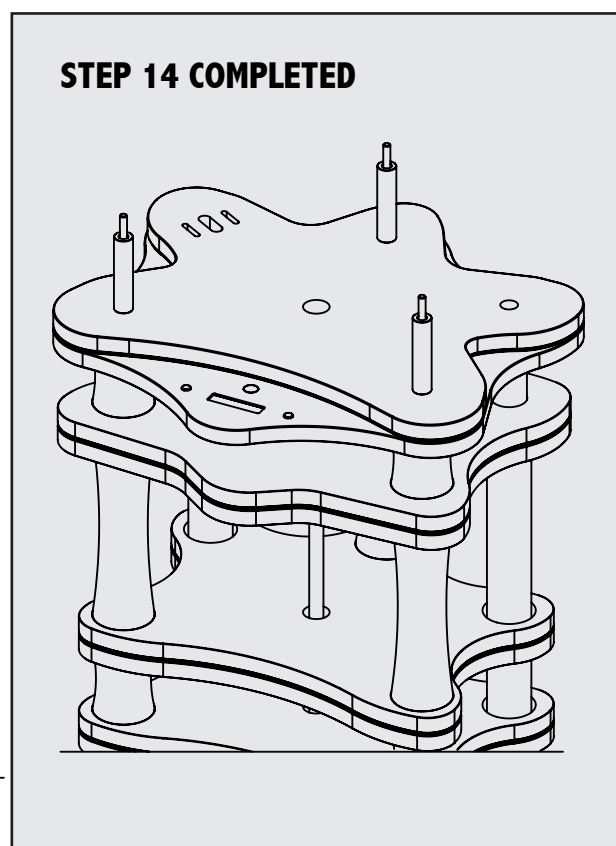
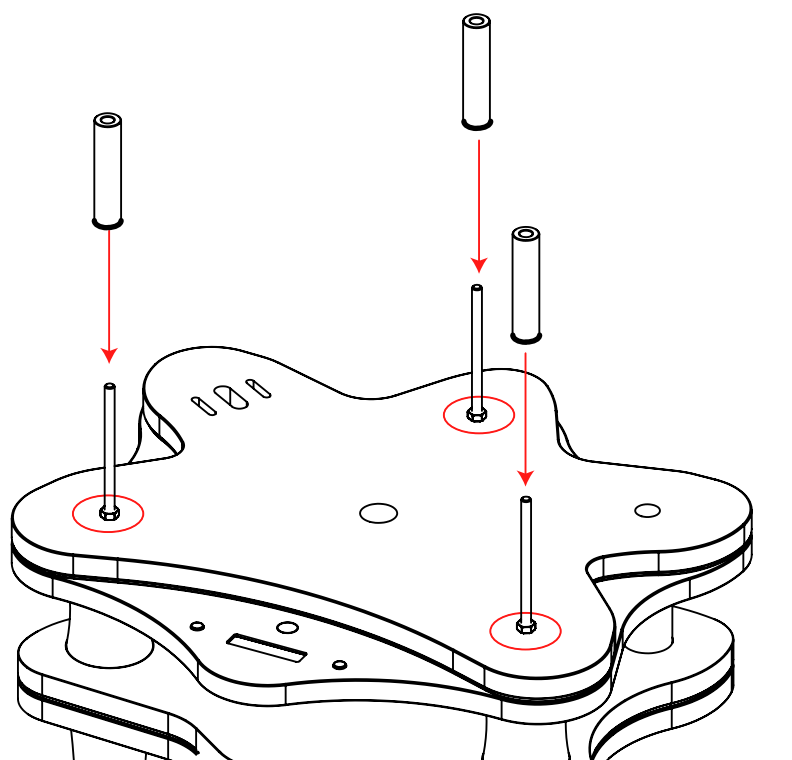
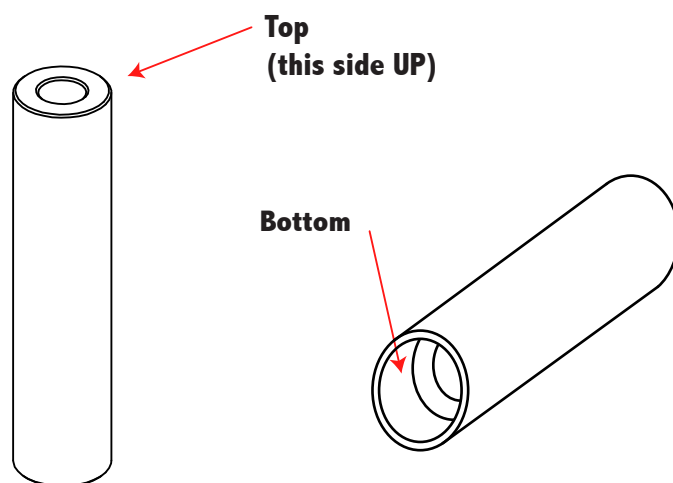
For the **STEP 14** you need these parts:



Sleeves (3x) located in **A1** position **9**

STEP 14

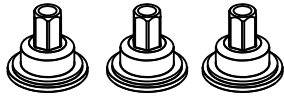
Insert the sleeves on the titanium threaded bar.



ASSEMBLING TURNTABLE TOP PLINTH [Top Plinth Conical Supports]

STEP 15

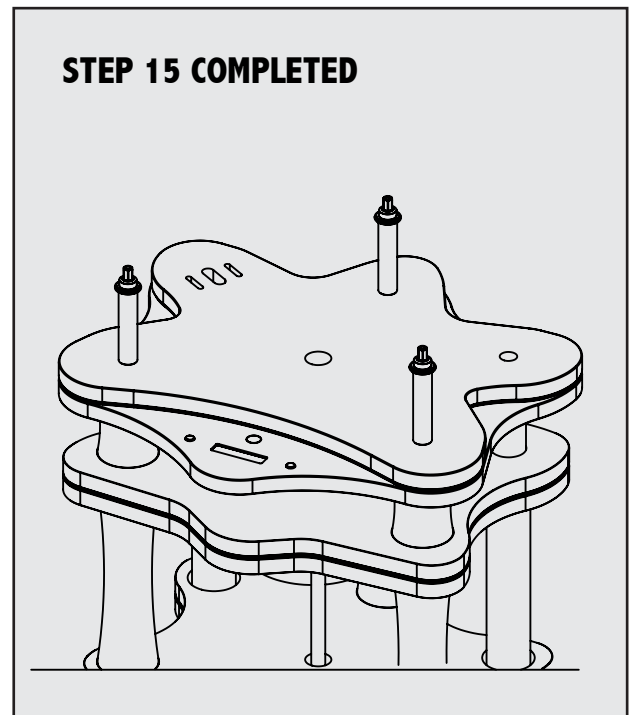
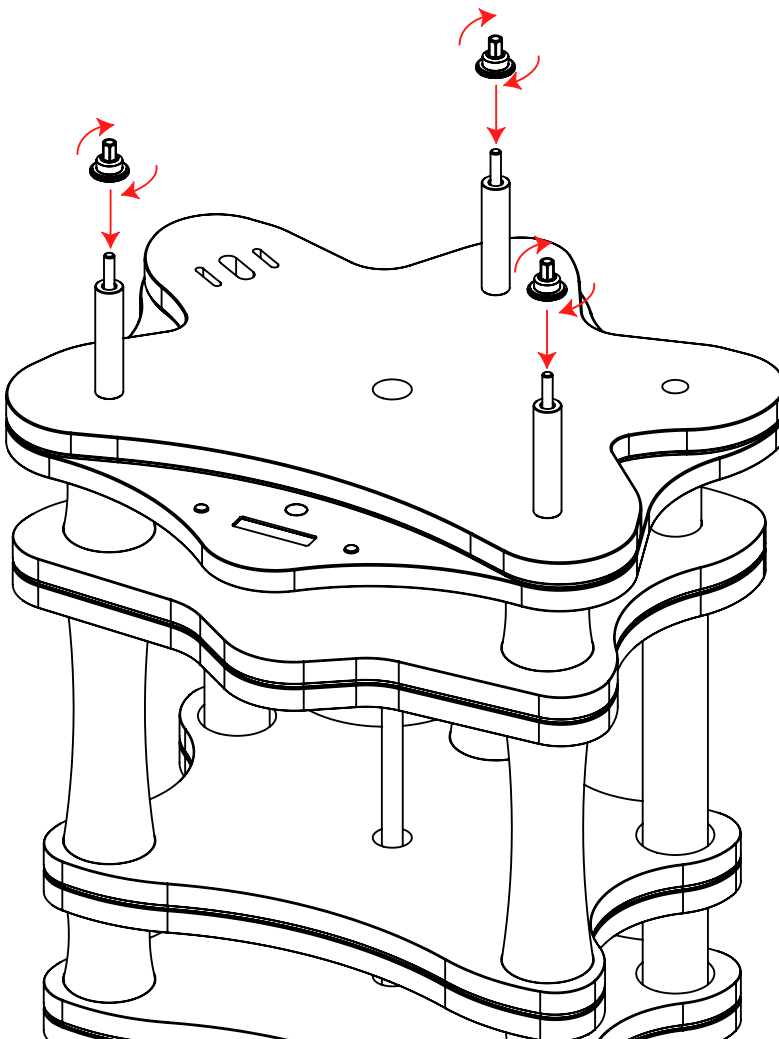
For the **STEP 15** you need these parts:



Top Plinth Conical Supports (3x) located in **A2** position **3**

STEP 15

Install and tighten the conical supports on the titanium threaded bars. Leave around 5mm between the bottom of the supports and the top of the sleeves.



ASSEMBLING TURNTABLE TOP PLINTH [Motor]

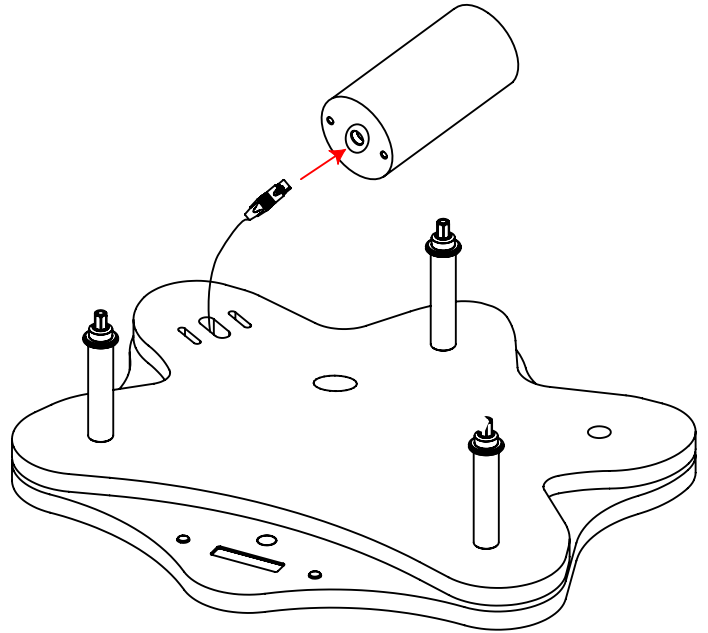
STEP 16

For the **STEP 16** you need these parts:

Motor Cylinder completed with motor
Pulley (1x) located in **A1** position **5**
Motor Allen Screws with Nylon Washers (2x)
located in **B5** position **5**

STEP 16-1

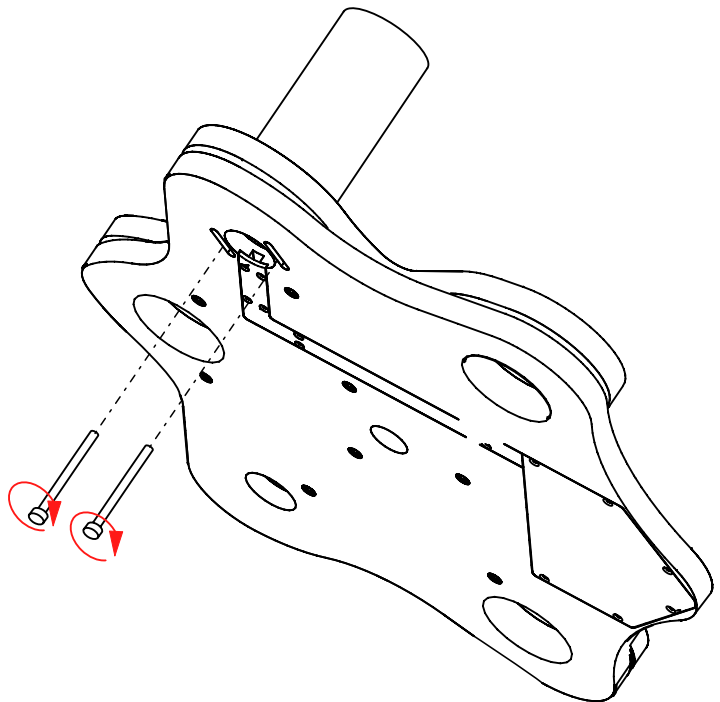
Plug the other side of the Motor cable
Mini XLR connector into the bottom of Motor
as shown in the picture aside.



STEP 16-2

Insert the Allen screws into the slots
located on each side of the cable on the
main plinth ensuring that the head is on the
bottom of the plinth as shown in the
picture aside.

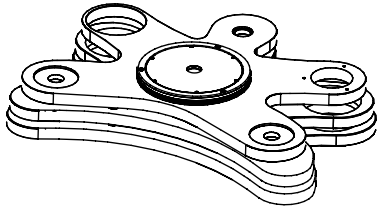
Gently lower the motor using the screws as
guides - the screws should go into the
screw holes on the bottom of the motor.



ASSEMBLING TURNTABLE TOP PLINTH [Triple Plinth]

STEP 17

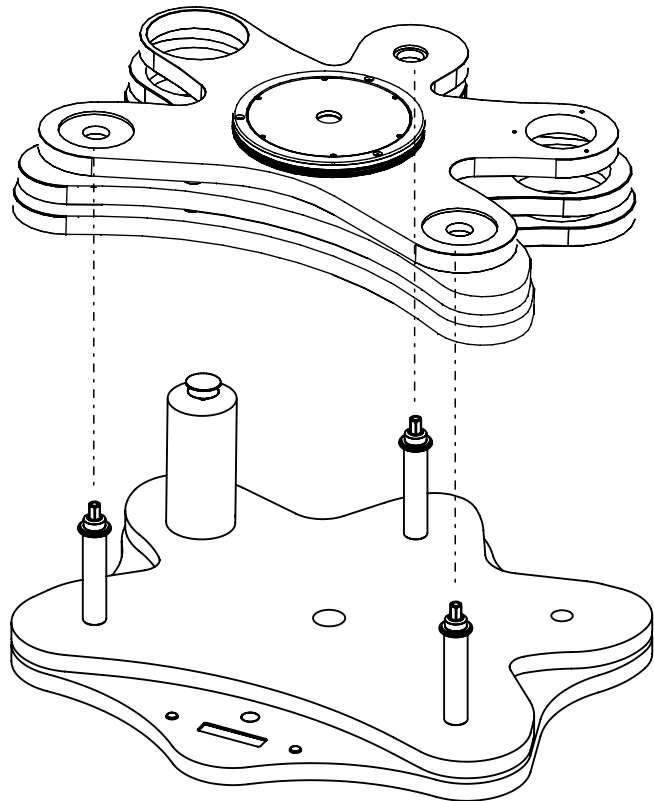
For the **STEP 17** you need these parts:



Triple Plinth located in **A2** position **1**

STEP 17-1

Carefully lower the plinth onto the support bars ensuring that the areas for the pulley and the motor are cleared. Please take extra care as the plinth and motor can be accidentally damaged.

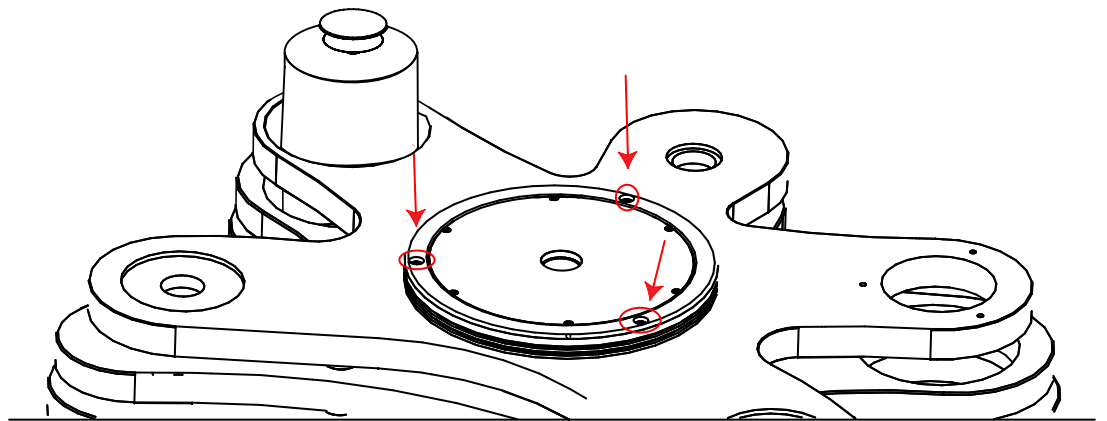


ASSEMBLING TURNTABLE TOP PLINTH [Triple Plinth]

STEP 17

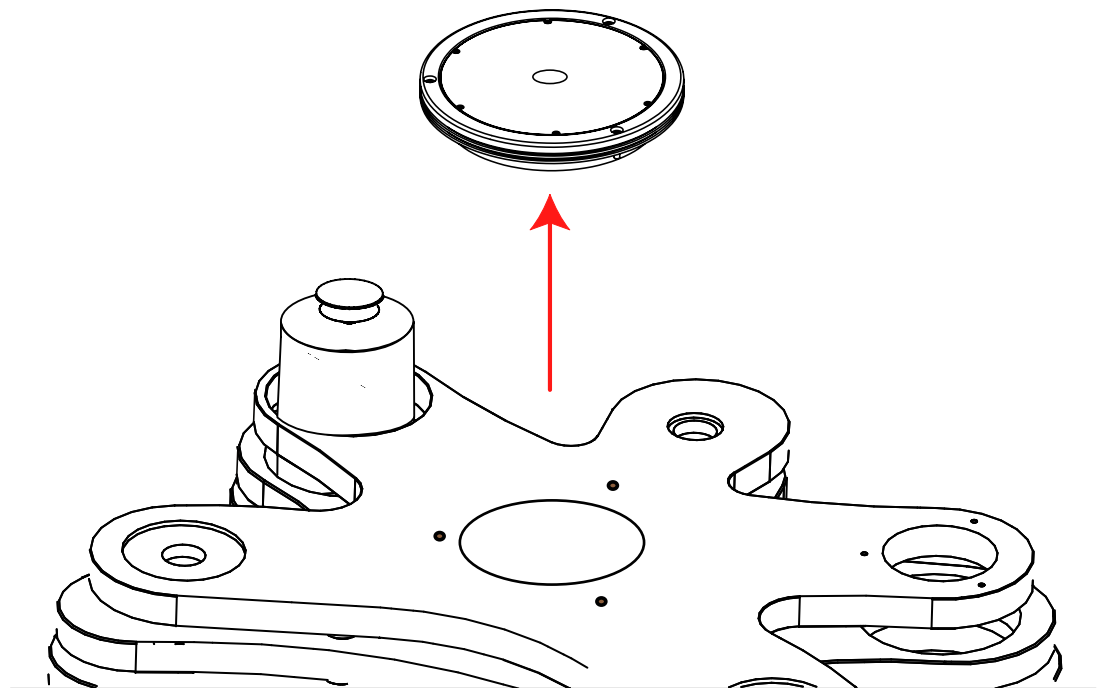
STEP 17-2

With the 3mm Allen wrench located in **B5** position **5** remove the three screws as shown in the picture aside



STEP 17-3

Remove the Platter Flange as indicated in the picture aside



ASSEMBLING TURNTABLE TOP PLINTH [Platter Flange]

STEP 18

For the **STEP 18** you need these parts:



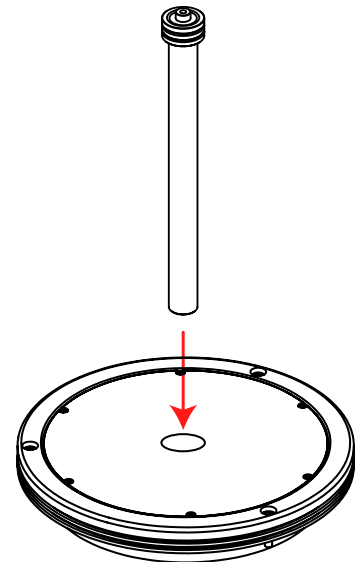
270mm Bronze bearing and C40 rectified polished Spindle (1x) located in **A1** position **3**



Aluminium Platter Bearing blocking Nut (1x) located in **B4** position **3**

STEP 18-1

Insert the 270mm bearing/spindle into the platter flange.

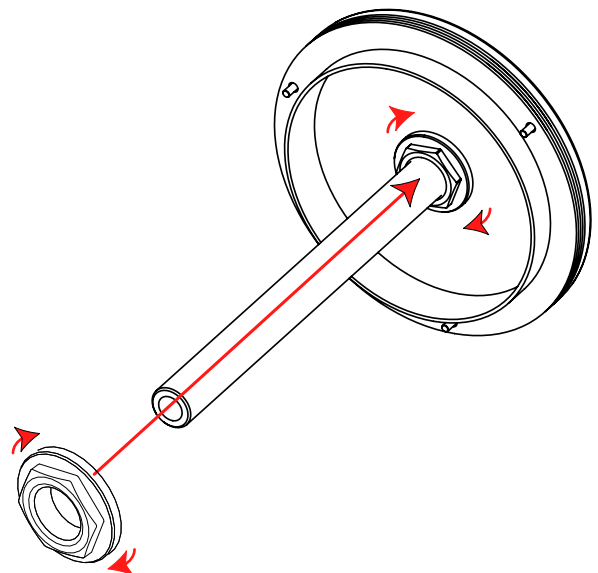


STEP 18-2

Screw the blocking nut on the 270mm bearing/spindle.

PLEASE NOTE

The blocking nut must be firmly tightened to avoid potential issues that might occur when installing the rocker arm counterweight.

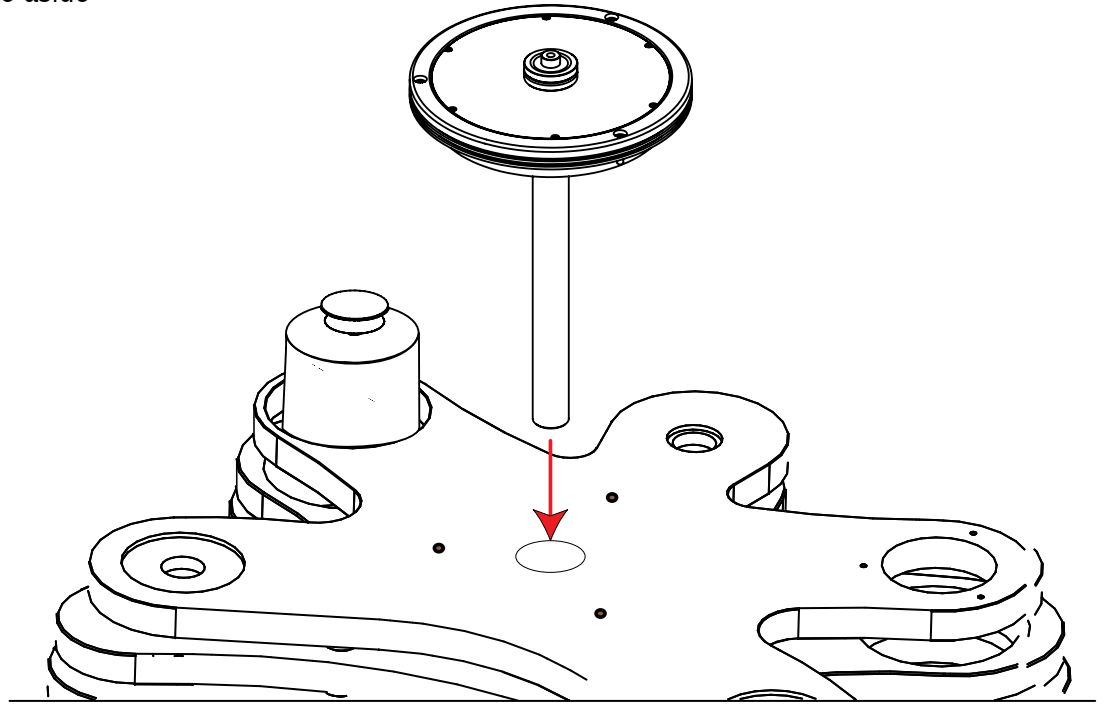


ASSEMBLING TURNTABLE TOP PLINTH [Platter Flange]

STEP 19

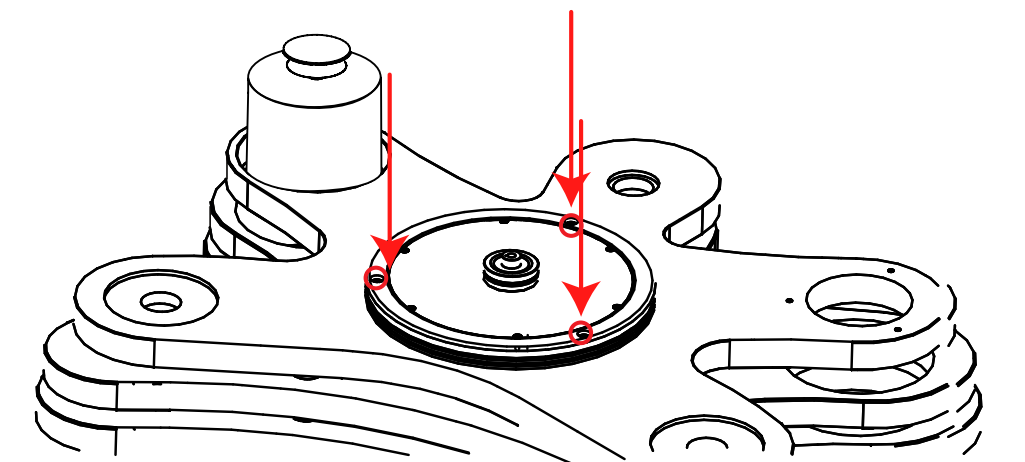
STEP 19-1

Insert the Platter Flange back in its original position as shown in the picture aside



STEP 19-2

Tighten the three platter Flange screws previously removed with the 3mm Allen wrench located as shown in the picture aside



ASSEMBLING TURNTABLE TOP PLINTH [Platter/Spindle]

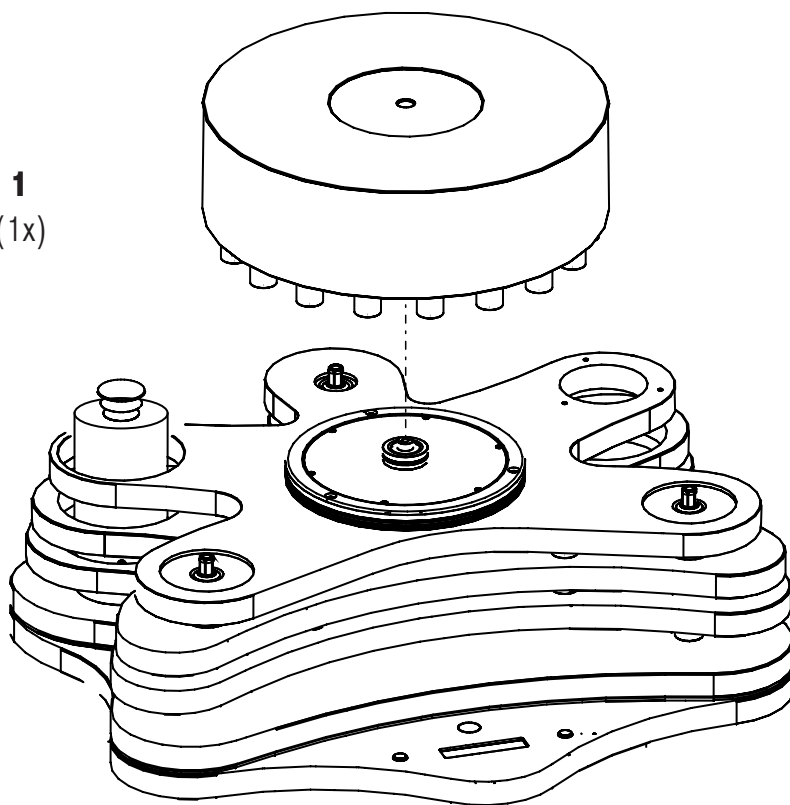
STEP 20

For the **STEP 20** you need these parts:

110mm thick Platter made of Sustarin Acetamide and 16 peripheral counterweights (1x) located in **A1** position **1**
Platter Spindle Tip that clamps the platter (1x) located in **A1** position **4**

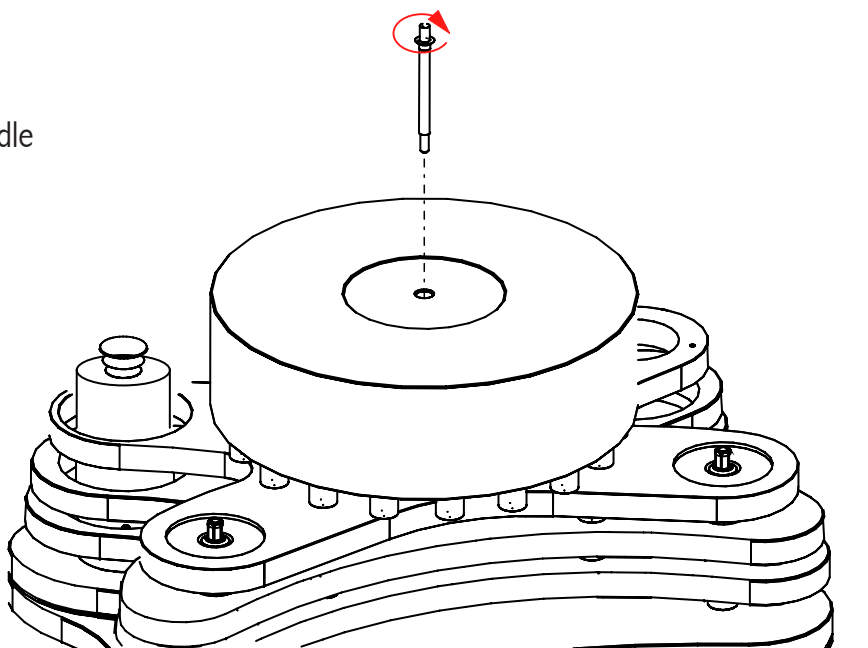
STEP 20-1

Install the platter on the upper plinth, pay attention to center it on the spindle - it should fit perfectly.



STEP 20-2

Insert the platter spindle clamp into the platter center and screw it into the spindle until locked.



STEP 21

For the **STEP 21** you need these parts:

Tonearm flange located in **A1** position **6**

3 conical spacers for tonearm flange located in **A1** position **7**

Tonearm board with adapter located in **A1** position **8**

3 supports for the tonearm flange located in **A2** position **4**

3 Allen screws 4x40mm(for the arm board) located in **B5** position **5**

STEP 21-1

Install the supports for the tonearm flange screwing them into the upper plinth.

STEP 21-2

Lay the tonearm flange on top of the supports paying attention that the holes of the flange are aligned with those of the supports.

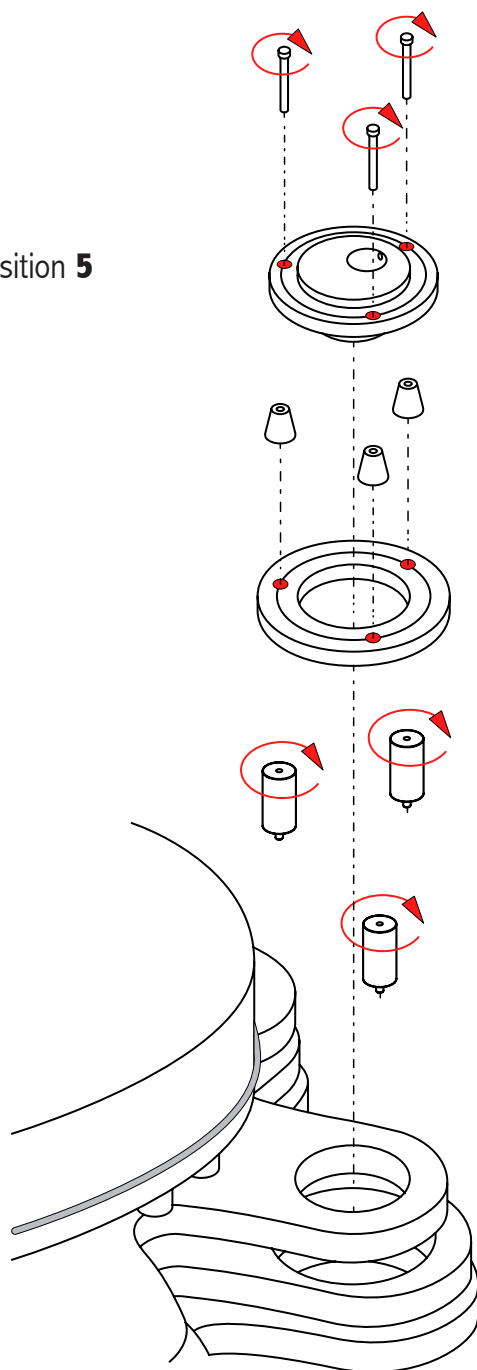
STEP 21-3

Lay the conical spacers on top of the flange centring them on the holes.

STEP 21-4

Finally, rest the tonearm board on top, ensuring again that the holes are centred.

Then insert the 4x40mm Allen screws and lock them in place with the 3mm Allen wrench.

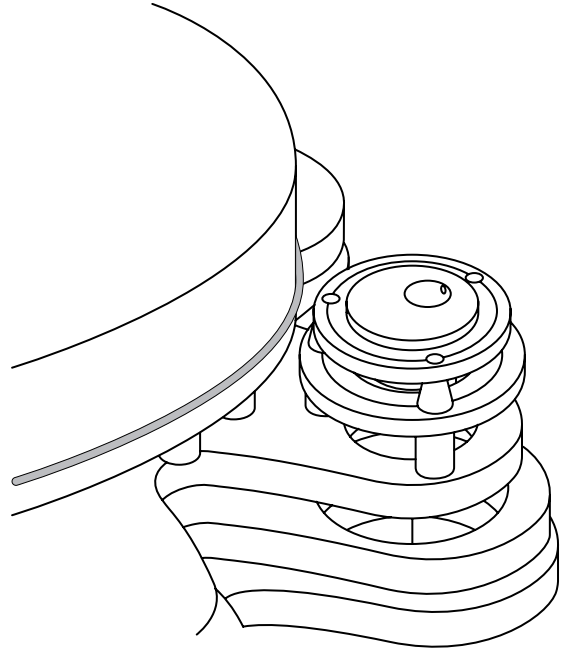


STEP 21

PLEASE NOTE

The flange adapter is designed out of axis to guarantee the compatibility with 9" tonearms.

To change the position of the adapter, you can rotate it in order to fit your tonearm. Use the 2mm Allen wrench to lock and unlock the adapter.

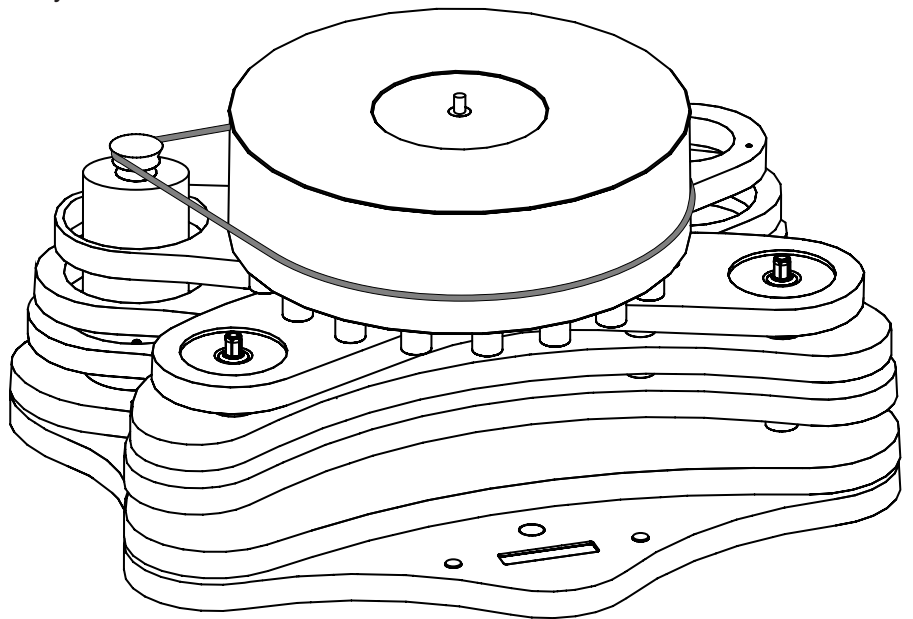


ASSEMBLING TURNTABLE TOP PLINTH [Transmission Belt]

STEP 22

STEP 22-1

Wrap the belt around the pulley first and then around the platter as shown in the picture. The belt must be positioned on the lower platter, close to the counterweights and horizontally aligned with the pulley.



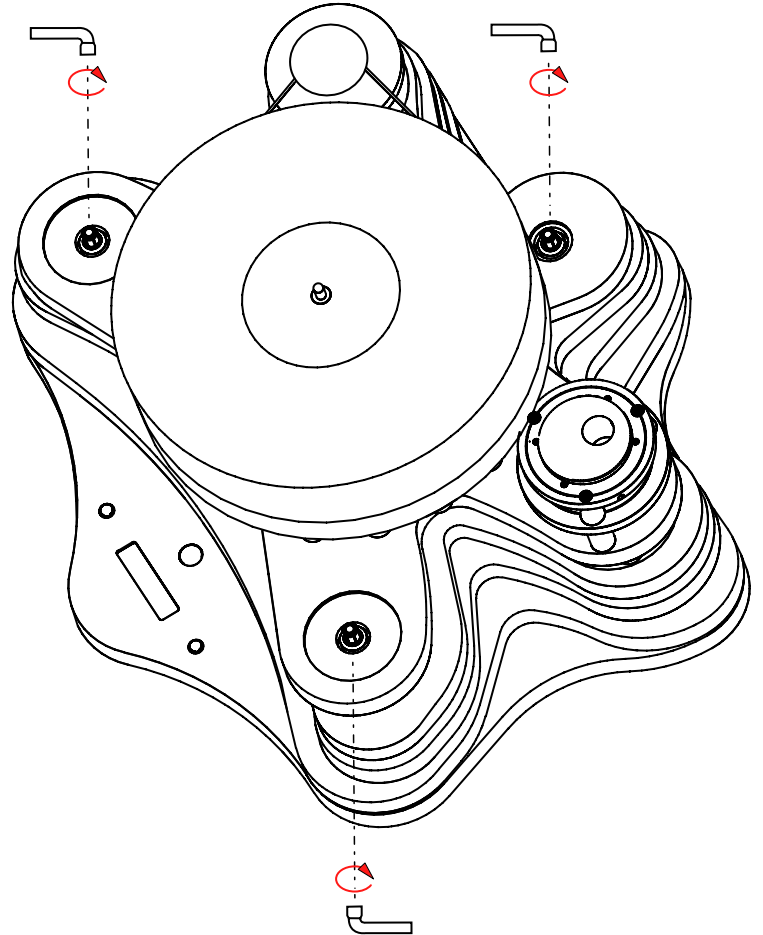
ASSEMBLING TURNTABLE TOP PLINTH [Levelling]

STEP 23

STEP 23-1

Check if the turntable is horizontally levelled with the help of a spirit level. To adjust the levelling, use the 10mm L wrench and rotate clockwise or counterclockwise the titanium supports installed at STEP 5.

Rotate clockwise to lower the plinth on the axis, and counterclockwise to raise it.

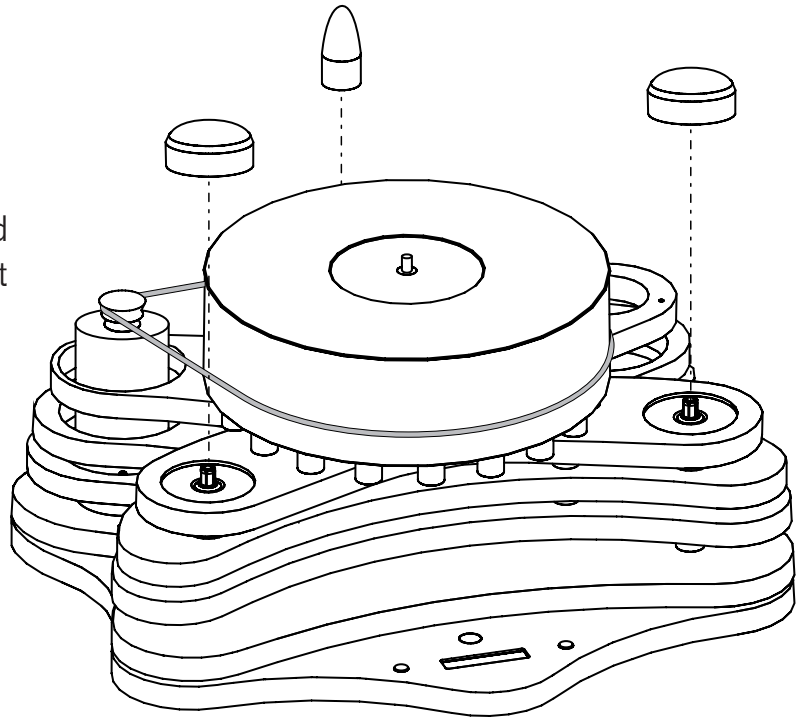


STEP 24

STEP 24-1

Take the 2 dome covers located in **A2** position **5** and the conical cover located in **A2** position **6**

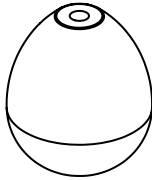
Insert the dome covers onto the titanium supports located in front of the platter and the conical cover on the support located at the back.



ASSEMBLING TURNTABLE [Rocker Arm Counterweight]

STEP 25

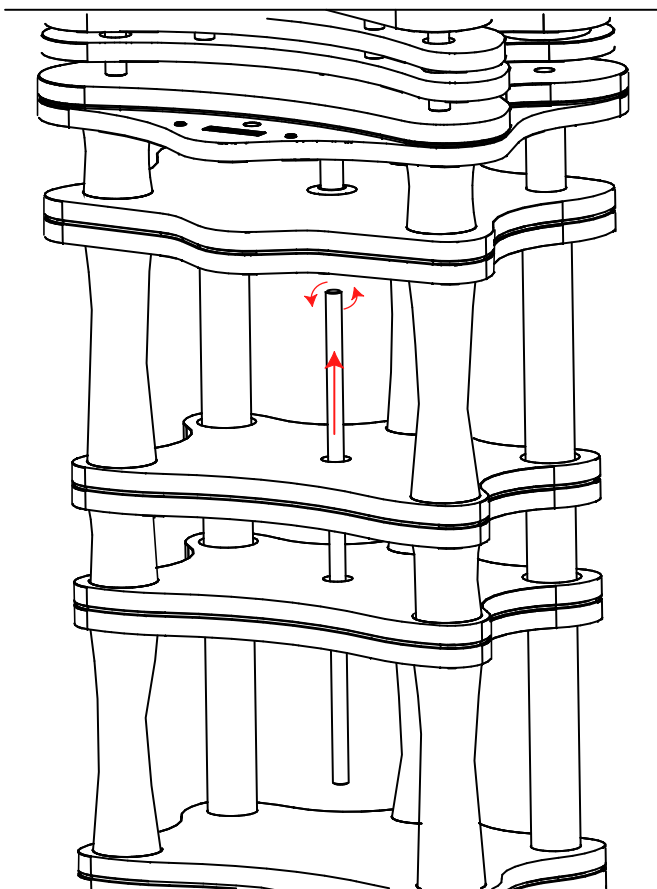
For the **STEP 25** you need these parts:



Rocker Arm Counterweight (1x) located in **B4** position **2**

STEP 25-1

Connect the rocker arm to the platter bearing/spindle using the bronze threaded junction.

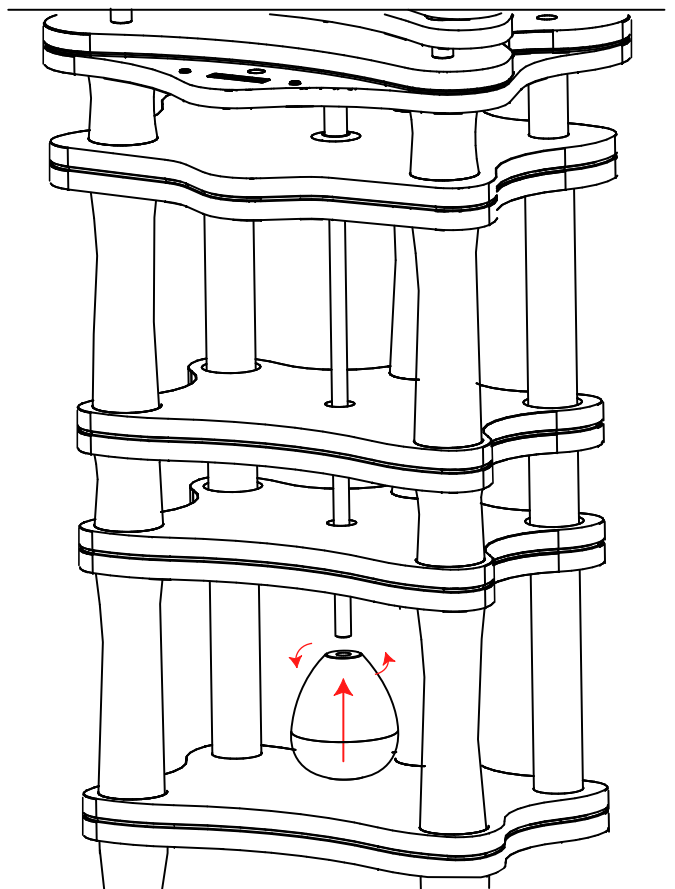


STEP 25-2

Once the rocker arm has been secured to the platter bearing/spindle, screw the counterweight to the rocker arm.

PLEASE NOTE

Firmly block the rocker arm while screwing the counterweight to avoid loosening the platter bearing/spindle. The rocker arm should not spin while screwing the counterweight.

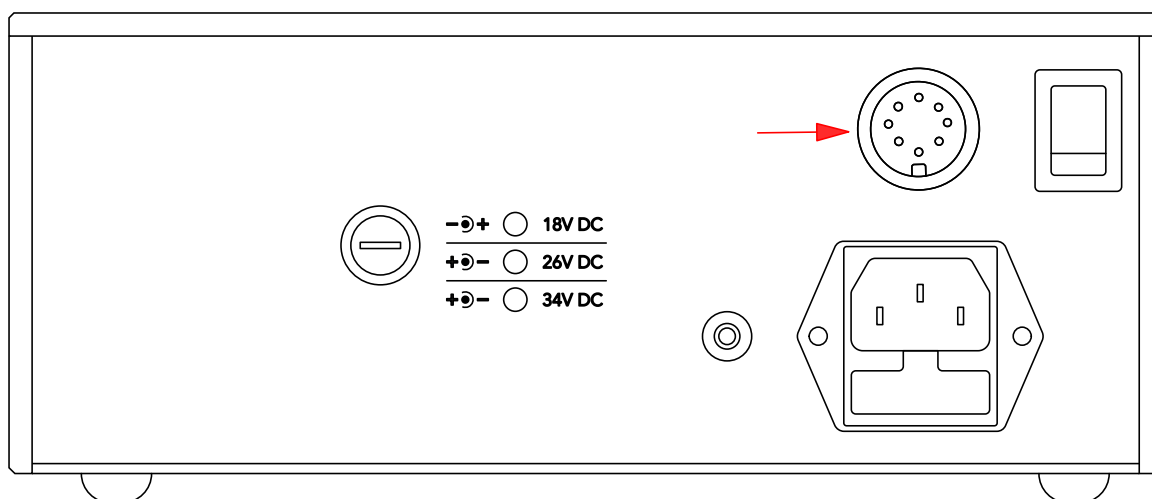


POWER SUPPLY

STEP 24-1

The PST-10 is our best power supply specifically designed for our turntables, a perfect match for the Bellagio Reference. The power supply is already set for the Bellagio so you simply need to connect it to the power outlet and the motor.

Connect the mini-XLR cable to the dedicated port highlighted in the picture. Remember to switch on the PST-10 using the master switch located on the rear of the unit.



SPEED CONTROL AND FUNCTIONS

SPEED CONTROL

The Bellagio Reference features an electronic speed control with dedicated buttons for the 33 $\frac{1}{3}$ rpm and 45rpm modes. Press the left button to start the 45rpm mode, press the right button for the 33 $\frac{1}{3}$ rpm mode. Press either button while the platter is spinning to stop the turntable.

STANDBY

To put the Bellagio Reference on standby mode, press and keep pressed both buttons for 3" while the turntable is not playing. Once on standby, press and keep pressed either button for 3" to switch on the turntable.

PITCH CONTROL

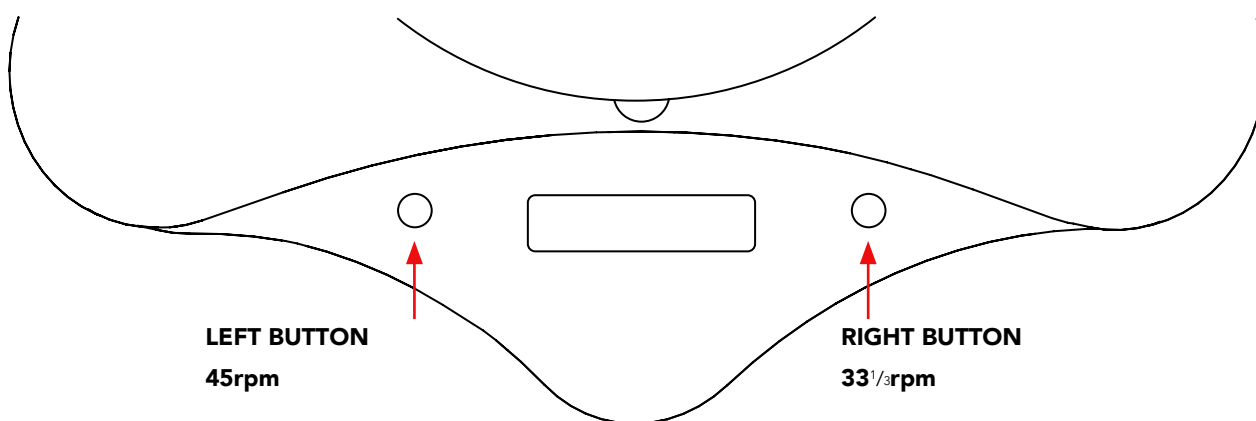
The motor control allows you to adjust the pitch fine tuning the speed. To adjust the pitch, press and keep pressed both buttons for 5" while the turntable is playing either in 33 $\frac{1}{3}$ rpm or 45rpm mode. The display will show PITCH.

Press the left button (45rpm) to increase the speed = pitch up

Press the right button (33 $\frac{1}{3}$ rpm) to decrease the speed = pitch down

To exit the pitch control mode and save the settings, press and keep pressed both buttons again for 5" until the display shows the speed.

PLEASE NOTE: The pitch is stored into the turntable memory permanently so it won't be deleted even when in the case of a power outage.



VTA AND AZIMUTH SETUP

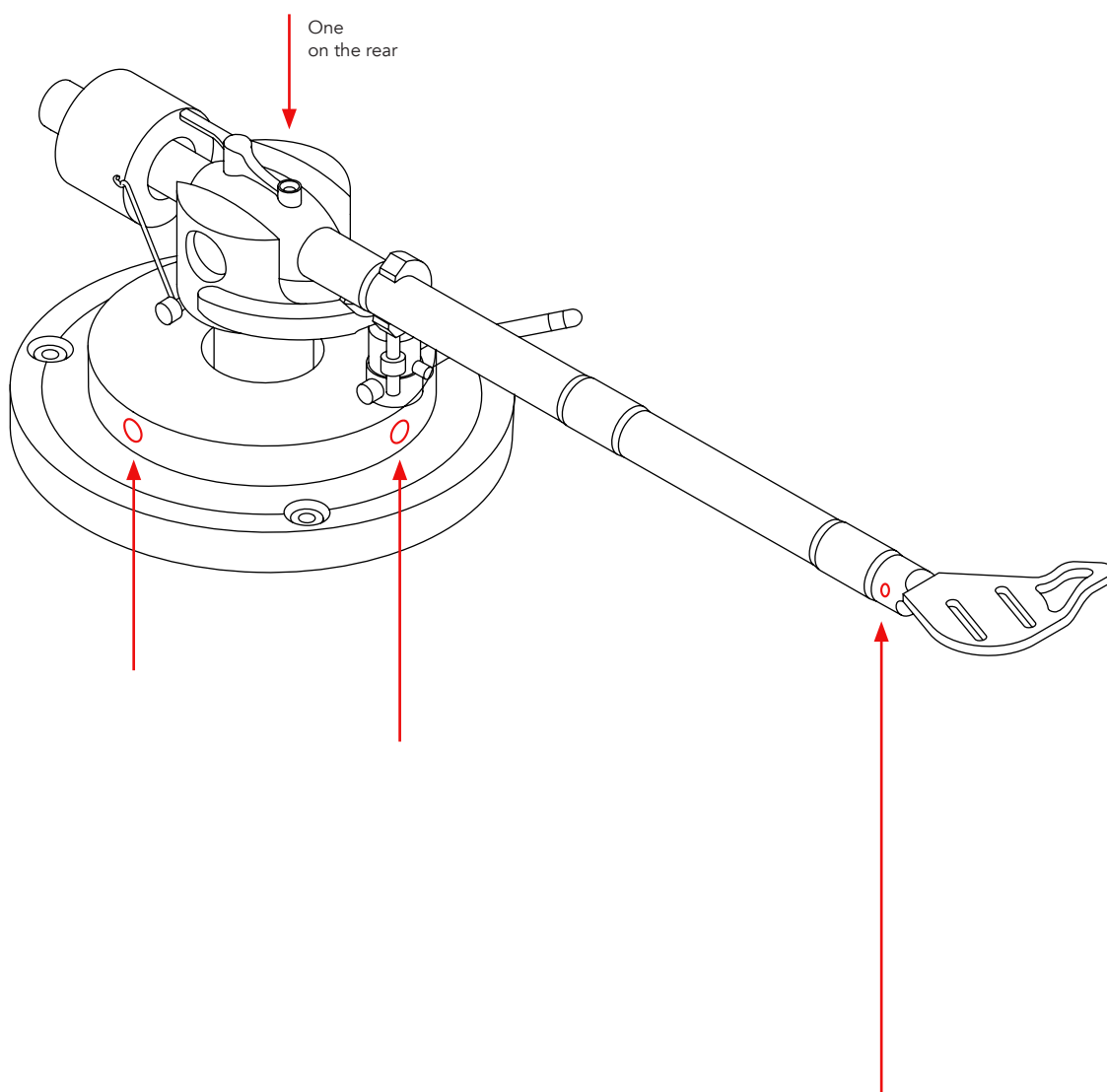
VTA SETUP

To up or down the arm by correctly adjusting the VTA, use the 1.5 mm Allen key supplied by Gold Note and insert it in the three holes on the arm board indicated by the arrows.

AZIMUTH

After the cartridge has been properly installed on the tone arm, you can adjust the angle of the headshell with the supplied 0,9 mm Allen Wrench.

Setting a correct Azimuth will provide a better audio performance.



CARTRIDGE AND TONEARM CALIBRATION

VTA SETUP

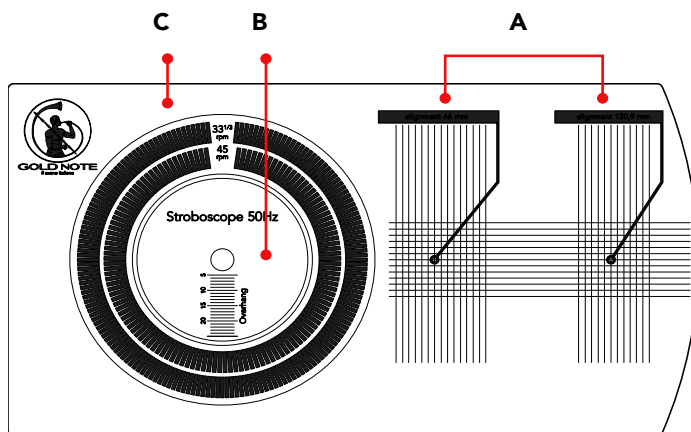
Our turntables and tone arms are always supplied with the Gold Note Calibration Tool to calibrate correctly the setup.

With this tool you will be able to adjust:

A Phono Cartridge alignment.

B Overhang.

C 45rpm and 331/3rpm speed (requires a strobe light).

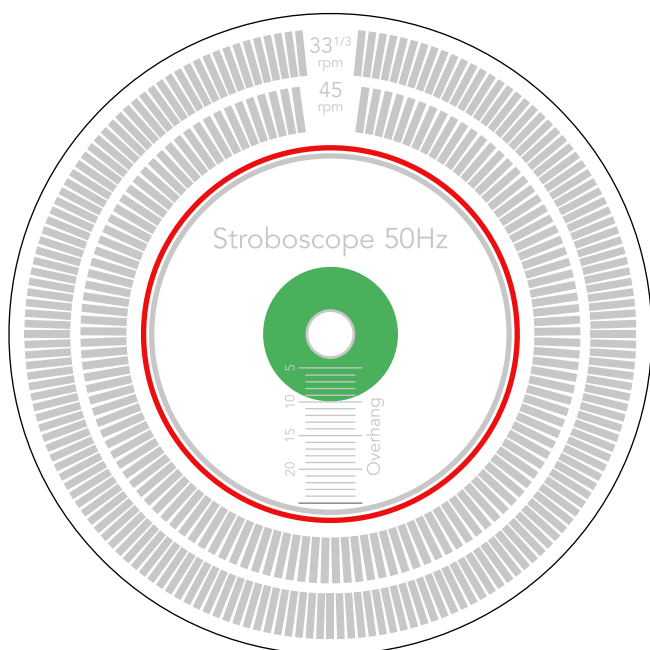


SPEED ADJUSTMENTS

Check the speed with the help of a strobe light (eventually a home NEON can also work). 120,9 mm. When the speed is correct you will be able to see the sequence of black rectangular signs as if they were stable and fixed while the platter is spinning.

The outer line is to check the 331/3 rpm.

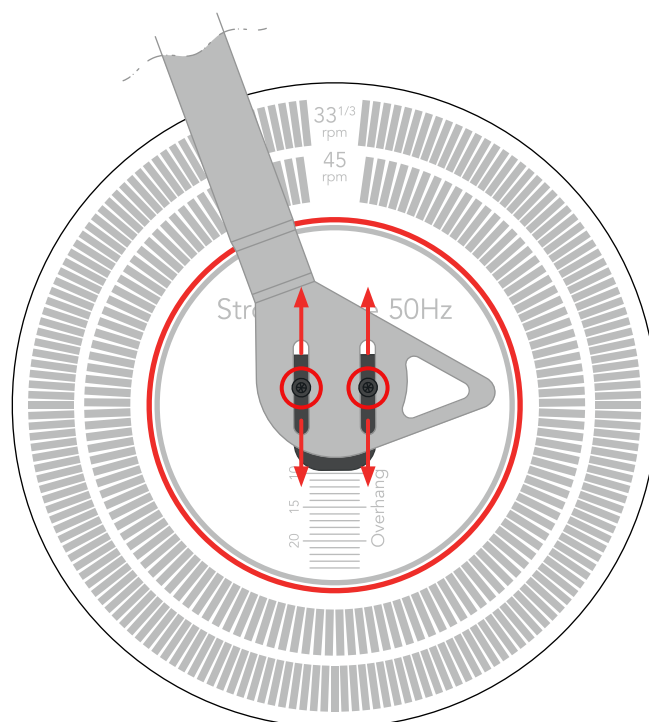
The inner line is to check the 45rpm.



OVERHANG

To set the correct overhang the Calibration Tool must be inserted on to the turntable record pin and the cartridge Tip must be positioned on top of the pin.

Adjust the position of the cartridge until the suggested overhang of the phono cartridge is reached as indicated by the manufacturer.

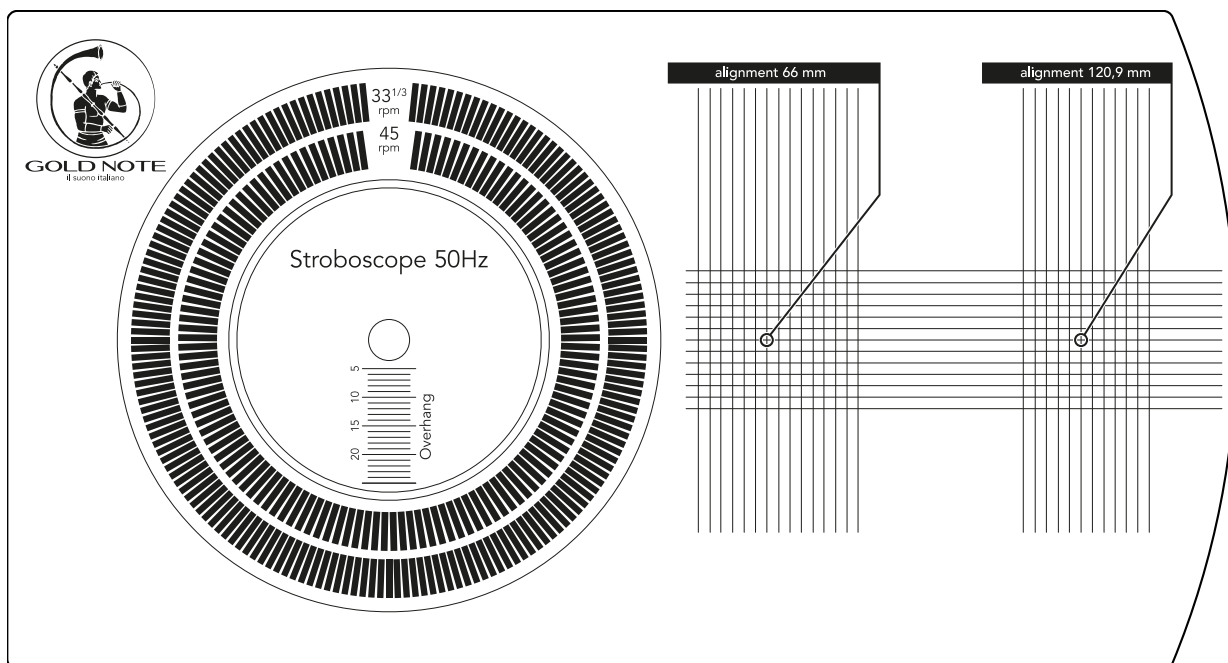
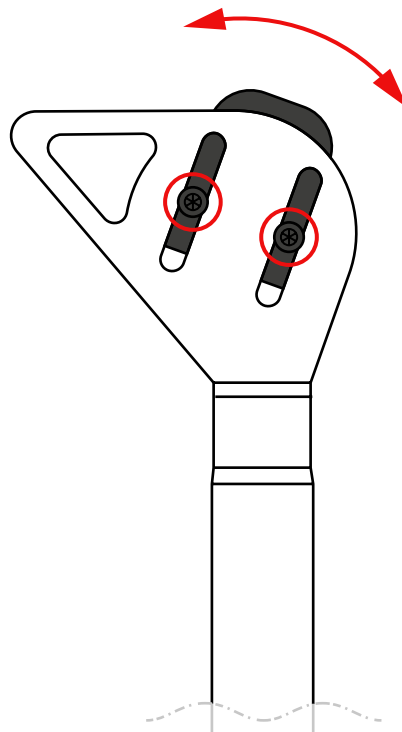


CARTRIDGE AND TONEARM CALIBRATION

ALIGNMENT

To correctly align the phono cartridge and achieve the best tracking position, point the tip of the phono cartridge into the circles as in the picture below.

The body of the phono cartridge must be aligned to the vertical stripes in order to achieve the best position for musical reproduction.



PRODUCT REGISTRATION

PRODUCT REGISTRATION

We recommend to register the unit on our internet website within 15 days from the purchase at www.goldnote.it/product-registration

If the unit is not registered correctly or has been purchased from a different country of the purchaser home address the unit will not be covered by any warranty and the registration will be refused.

Please note that the warranty does not cover in any case: Tubes, Phono Cartridge Stylus and Batteries.



www.goldnote.it/product-registration

WARNING

Gold Note products should only be opened, serviced and inspected by certified Gold Note technicians and dealers.

Work performed by unqualified personnel may cause serious damage or personal injury. Opening of the product by non-authorized personnel will void the guarantee.

In this case, contact your dealer to be advised on how the fault can be solved.

Do not return any object directly to the factory or to the distributor without being authorised to do so.

WARRANTY

All Gold Note products come with a warranty against defective materials and workmanship.

Any service and inspection must be carried out by a Gold Note dealer or distributor so in case you need any assistance with this product, please contact the seller.

If you experience any problems locating your official Gold Note dealer or distributor, please check our website or contact service@goldnote.it

PLEASE NOTE

Descriptions and technical characteristics may vary at any time and without notice.

ADJUSTMENT AND TROUBLESHOTING

ADJUSTMENT

ACTION	DESCRIPTION	HOW TO ADJUST IT
LEVELLING THE TURNTABLE	<ul style="list-style-type: none"> The Turntable is not levelled 	<ul style="list-style-type: none"> With a spirit level, only level the Turntable Platter through its shelf layer eventually screwing its feet just for very fine adjustment, take care of levelling the platter on its vertical and horizontal lines
	<ul style="list-style-type: none"> The Turntable is not levelled 	<ul style="list-style-type: none"> Be sure that the turntable layer is enough solid and rigid to support the weight of the turntable easily
VTA & AZIMUTH ADJUSTMENT		<ul style="list-style-type: none"> Refer to proper area of this manual for adjusting the VTA & SHELL AZIMUTH correctly
CLEANING THE TURNTABLE	<ul style="list-style-type: none"> The Turntable is dirty and needs to be cleaned 	<ul style="list-style-type: none"> With EXTREME care use ONLY very soft 100% cotton cloth to sweep dust and stains out. Any acid or not extremely soft cloth will irreversibly damage the turntable fine aesthetic. Do not use any alcohol to clean the turntable anodised label, pulley and motor spindle. Only dry cloth is allowed

TROUBLESHOTINGS

SYMPTOM	DESCRIPTION	CAUSE	REMEDY
MOTOR HEATING	The Motor warms up too much	<ul style="list-style-type: none"> AC synchronous motors as the ones used by Gold Note may warm up to 50° Celsius without creating any problem 	
MOTOR NOISE	The Motor produces a low scraping noise during playing	<ul style="list-style-type: none"> The pulley's shaft slightly touches the motor chromed plated cover 	<ul style="list-style-type: none"> Gently lift the pulley up a bit
	The Motor produces a buzz noise during playing	<ul style="list-style-type: none"> The 3 stainless steel screws of the motor cover are too tighten 	<ul style="list-style-type: none"> Unscrew them enough to let the motor spins without making noise, they need just to be very gently screwed to the motor cover

FAQ AND TROUBLESHOOTING

SYMPTOM	DESCRIPTION	CAUSE	REMEDY
OIL POORED FROM BRONZE BEARING	Oil drops come out the bottom Platter Bearing when the Platter Spindle is inserted	<ul style="list-style-type: none"> The pressure created by the strict tolerance of the Bearing/Spindle system can let some oil drops come out from the bottom of the Platter Bearing 	<ul style="list-style-type: none"> Clean it up, the oil will never comes out again once the Platter spindle is perfectly positioned into the Platter Bearing
PLATTER WOBBLING	The Platter wobbles on its edges if handled	<ul style="list-style-type: none"> Clamp the Split-Spindle tip into the platter threading it using a metal pin to get into the tip hole 	<ul style="list-style-type: none"> Be sure to always use shielded cables for the amp connections.
SPEAKER HUMMING PROBLEMS	The speakers hum when the turntable is wired to the system	<ul style="list-style-type: none"> The Turntable CAN NOT makes any noise hearable into the speaker by itself 	<ul style="list-style-type: none"> Eventually a tone arm cable problem can occur; please check the ground of the cable carefully

USER NOTE

A large grid of horizontal dashed lines for user notes, consisting of 20 rows and 20 columns.

USER NOTE

A large grid of 20 columns and 20 rows of dashed lines, intended for user notes.

