

COMPACT CABINET SUBWOOFER

D8

Overview

The Sonance D8 subwoofer features two powerful vibration canceling 8" square drivers, wireless connectivity and our SonARC for subwoofers DSP technology, all within a sleek ultra-compact cabinet.

Key Features

Aesthetics

- Extruded aluminum enclosure
- Smallest dual 8" subwoofer on the market to date
- Extruded Aluminum cabinet with a matte black or matte white finish
- Cloth grilles

Performance

- Counter Vibration Control
- Built-in wireless receiver
- 16 bands of automatic EQ

Installation

- Easy set up
- App driven setup and room correction software
- Options to connect using line level inputs, speaker level inputs, or Sonance built in wireless receiver (wireless transmitter sold separately)



D8 BLK

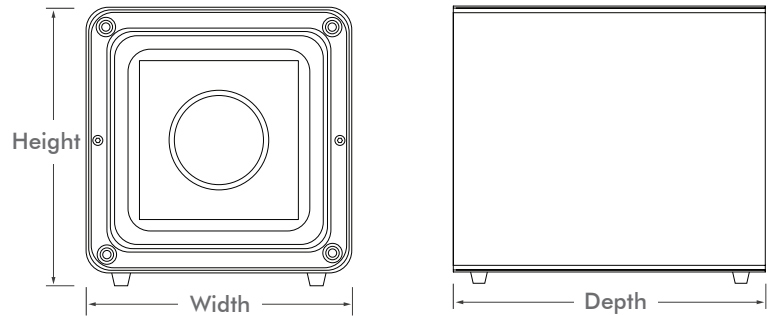


D8 WHT



Dimensions

Width:	7 1/2" (191mm)
Height:	8" (203mm)
Depth:	9" (229mm)



Specifications

Model:	D8
SKU:	Black 93359, White 93374
Unit of Measure:	Each
Woofers:	Two 8" (203mm) ultra long throw, glass fiber cone, rubber surround
Frequency Response:	32Hz - 250Hz \pm 3dB
Enclosure Material:	Extruded aluminum with a matte black finish or a matte white finish
Power Output:	300 watts RMS (600 watts peak)
Inputs:	Line-level, speaker-level and low latency wireless
Controls:	Crossover, phase and bypass
Room Correction Setup:	App controlled Sonarc automatic in-room equalization
Grille Material:	Black cloth grilles (BLK) or gray cloth grilles (WHT)
Shipping Weight:	15.65 lbs (7.10kg)

Recommended Products



Wireless Transmitter

SKU 93360

LIMITED TWO (2) YEAR WARRANTY

Sonance warrants to the first end-user purchaser that this Sonance-brand product ("Product"), when purchased from an authorized Sonance Dealer/Distributor, will be free from defective workmanship and materials for the period stated below. Sonance will, at its option and expense, either repair the defect or replace the Product with a new or remanufactured Product or a reasonable equivalent. **Please visit our website and owner's e-Manual for complete warranty and exclusion information.**



©2018 Sonance. All rights reserved.

Sonance and Visual Performance are registered trademarks of Dana Innovations.

Due to continuous product improvement, all features and specifications are subject to change without notice.

For the latest Sonance product specification information visit our website: www.sonance.com

SONANCE • 991 Calle Amanecer • San Clemente, CA 92673 USA
 (949) 492-7777 • FAX: (949) 361-5151 • Technical Support: (949) 492-7777
www.sonance.com