



DesignMax DM2C-LP

In-ceiling Loudspeaker


Installation Guide.....	2	Monteringsveiledning.....	44
Guía de instalación.....	9	Instrukcja montażu.....	51
Notice d'installation.....	16	安装指南.....	58
Installationsanleitung.....	23	安装指南.....	65
Guida all'installazione.....	30	設置ガイド.....	72
Installatiehandleiding.....	37	79.....	دليل التركيب

Please read and keep all safety and use instructions.


This product is intended for installation by professional installers only! This document is intended to provide professional installers with basic installation and safety guidelines for this product in typical fixed-installation systems. Please read this document and all safety warnings before attempting installation.

Do not attempt to service this product yourself. Refer all servicing to authorized service centers, installers, technicians, dealers or distributors. To contact Bose Professional or to find a dealer or distributor near you, visit **PRO.BOSE.COM**.

1. Read these instructions.
2. Keep these instructions.
3. Heed all warnings.
4. Follow all instructions.
5. Do not use this apparatus near water.
6. Clean only with a dry cloth.
7. Do not block any ventilation openings. Install in accordance with the manufacturer's instructions.
8. Do not install near any heat sources such as radiators, heat registers, stoves, or other apparatus (including amplifiers) that produces heat.
9. Only use attachments/accessories specified by the manufacturer.



WARNINGS/CAUTIONS



This product contains magnetic material. Consult your physician on whether this might affect your implantable medical device.

- All Bose products must be installed in accordance with local, state, federal and industry regulations. It is the installer's responsibility to ensure installation of the loudspeakers and mounting system is performed in accordance with all applicable codes, including local building codes and regulations. Consult the local authority having jurisdiction before installing this product.
- Unsafe mounting or overhead suspension of any heavy load can result in serious injury or death, and property damage. It is the installer's responsibility to evaluate the reliability of any mounting method used for their application. Only professional installers with the knowledge of proper hardware and safe mounting techniques should attempt to install any loudspeaker overhead.
- Do not mount the product in locations where condensation may occur.
- This product is not intended for installation or use in indoor water facility areas (including, without limitation, indoor pools, indoor water parks, hot tub rooms, saunas, steam rooms and indoor skating rinks).
- Do not mount on surfaces that are not sturdy, or that have hazards concealed behind them, such as electrical wiring or plumbing. If you are not sure about installing the bracket, contact a qualified professional installer. Ensure the bracket is installed according to local building codes.
- Use only the hardware and accessories included or specified by Bose for use with DesignMax DM2C-LP loudspeakers. For information on compatible accessories, see the product's technical data sheet at **PRO.BOSE.COM**.
- Keep the product away from fire and heat sources. Do not place naked flame sources, such as lighted candles, on or near the product.
- Do not make unauthorized alterations to this product.
- Do not use hydrocarbon based solvents, lubricants or cleaning agents of any type on or around this loudspeaker and associated mounting hardware during installation. Exposure to such substances can lead to degradation of the plastic material, resulting in cracking and creating a falling hazard.
- Clean speakers using only a dry cloth. Do not expose loudspeaker to soap, detergent, mineral oil, alcohol or other cleaning agents or chemicals.
- The grille is equipped with a safety lanyard pin designed for a single use.


Product Ratings:

Input Voltage: 70V/100V


Impedance: 16 Ω, 16 W

Current or Power: (70V): 1.2W, 2.3W, 4.5W, 9W; (100V): 2.3W, 4.5W, 9W

Regulatory Information

 This product conforms to all applicable EU directive requirements. The complete declaration of conformity can be found at: **www.Bose.com/compliance**.

 This product conforms to all applicable Electromagnetic Compatibility Regulations 2016 and all other applicable UK regulations. The complete declaration of conformity can be found at: **www.Bose.com/compliance**

 This symbol means the product must not be discarded as household waste, and should be delivered to an appropriate collection facility for recycling. Proper disposal and recycling helps protect natural resources, human health and the environment. For more information on disposal and recycling of this product, contact your local municipality, disposal service, or the shop where you bought this product.

China Restriction of Hazardous Substances Table

Names and Contents of Toxic or Hazardous Substances or Elements						
Part Name	Toxic or Hazardous Substances and Elements					
	Lead (Pb)	Mercury (Hg)	Cadmium (Cd)	Hexavalent (CR(VI))	Polybrominated Biphenyl (PBB)	Polybrominated diphenylether (PBDE)
PCBs	X	0	0	0	0	0
Metal Parts	X	0	0	0	0	0
Plastic Parts	0	0	0	0	0	0
Speakers	X	0	0	0	0	0
Cables	X	0	0	0	0	0

This table is prepared in accordance with the provisions of SJ/T 11364.
 O: Indicates that this toxic or hazardous substance contained in all of the homogeneous materials for this part is below the limit requirement of GB/T 26572.
 X: Indicates that this toxic or hazardous substance contained in at least one of the homogeneous materials used for this part is above the limit requirement of GB/T 26572.

15

Taiwan Restriction of Hazardous Substances Table

Equipment name: DesignMax DM2C-LP, Type designation: 796780						
Unit	Restricted substances and its chemical symbols					
	Lead (Pb)	Mercury (Hg)	Cadmium (Cd)	Hexavalent chromium (Cr+6)	Polybrominated biphenyls (PBB)	Polybrominated diphenyl ethers (PBDE)
PCBs	-	o	o	o	o	o
Metal Parts	-	o	o	o	o	o
Plastic Parts	o	o	o	o	o	o
Speakers	-	o	o	o	o	o
Cables	-	o	o	o	o	o

Note 1: "o" indicates that the percentage content of the restricted substance does not exceed the percentage of reference value of presence.
Note 2: The "-" indicates that the restricted substance corresponds to the exemption.

Date of Manufacture: The eighth digit in the serial number indicates the year of manufacture; "7" is 2007 or 2017.

China Importer: Bose Electronics (Shanghai) Company Limited, Part C, Plant 9, No. 353 North Ruying Road, China (Shanghai) Pilot Free Trade Zone

EU Importer: Bose Products B.V., Gorslaan 60, 1441 RG Purmerend, The Netherlands

Mexico Importer: Bose de México, S. de R.L. de C.V., Paseo de las Palmas 405-204, Lomas de Chapultepec, 11000 México, D.F. For importer & service information: +5255 (5202) 3545

Taiwan Importer: Bose Taiwan Branch, 9F-A1, No. 10, Section 3, Minsheng East Road, Taipei City 104, Taiwan. Phone Number: +886-2-2514 7676

UK Importer: Bose Limited, Bose House, Quayside Chatham Maritime, Chatham, Kent, ME4 4QZ, United Kingdom

Bose and DesignMax are trademarks of Bose Corporation.

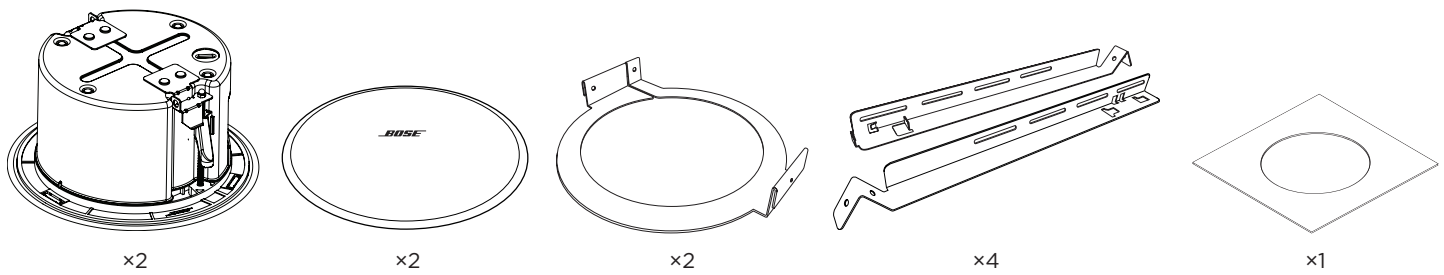
Bose Corporation Headquarters: 1-877-230-5639

©2021 Bose Corporation. No part of this work may be reproduced, modified, distributed or otherwise used without prior written permission.

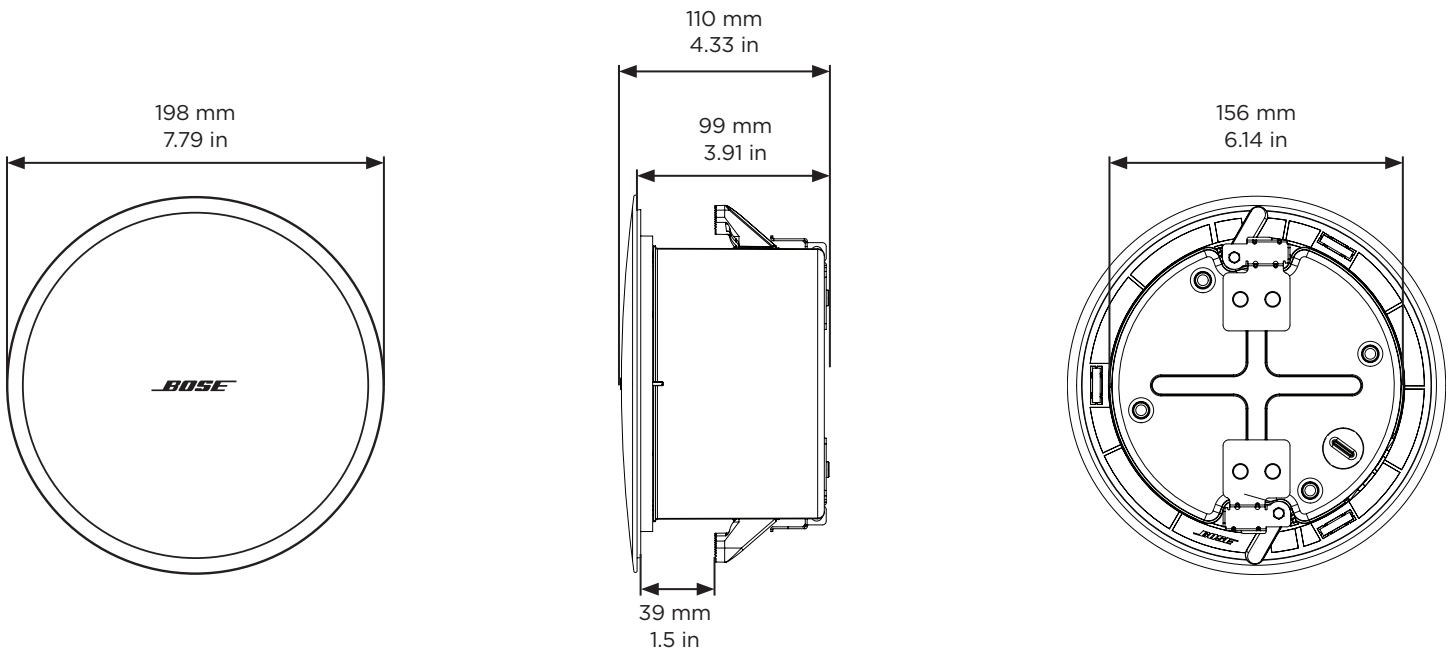
Warranty Information

This product is covered by a limited warranty. For warranty details, visit **PRO.BOSE.COM**.

Package Contents



Product Dimensions



Technical Specifications

For additional specifications, see the DesignMax DM2C-LP technical data sheet at PRO.BOSE.COM.

Physical	
Product Dimensions	Grille diameter: 198 mm (7.79 in)
	Enclosure diameter: 156 mm (6.14 in)
	Backcan depth: 99 mm (3.91 in)
Hole cutout	165 mm (6.5 in)
Maximum Ceiling Thickness	39 mm (1.5 in)
Net Weight, Loudspeaker with grille (single)	1.63 kg (3.6 lb)
Net Weight, Tile Bridge (single)	0.72 kg (1.6 lb)
Shipping Weight (pair)	5.99 kg (13.2 lb)

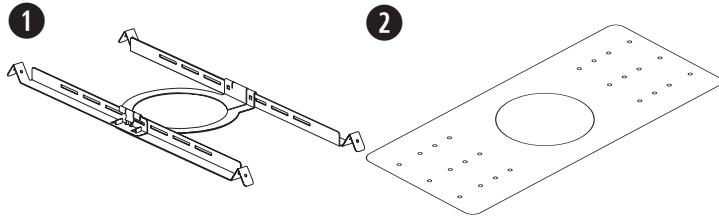
Important Installation Information

- It is the installer's responsibility to ensure installation of the loudspeakers and mounting system is performed in accordance with all applicable codes, including local building codes and regulations. Consult the local authority having jurisdiction before installing this product.
- It is the responsibility of the installer to ensure the safety of the loudspeaker installation. Failure to properly install the loudspeaker could result in damage, injury, or death.
- Do not mount the product in locations where condensation may occur.
- This product is not intended for installation or use in indoor water facility areas (including, without limitation, indoor pools, indoor water parks, hot tub rooms, saunas, steam rooms and indoor skating rinks).
- Do not mount on surfaces that are not sturdy, or that have hazards concealed behind them, such as electrical wiring or plumbing. If you are not sure about installing the bracket, contact a qualified professional installer. Ensure the bracket is installed according to local building codes.
- Do not use hydrocarbon based solvents, lubricants or cleaning agents of any type on or around this loudspeaker and associated mounting hardware during installation. Exposure to such substances can lead to degradation of the plastic material, resulting in cracking and creating a falling hazard.

Installation Options

Installation Options and Accessories

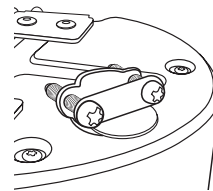
- ❶ Adjustable Tile Bridge (included)
- ❷ Rough-in Pan (optional)



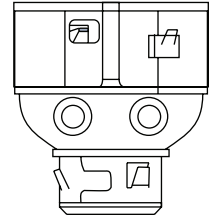
Conduit Fitting

If using a flexible metal conduit, use with a $\frac{3}{8}$ -inch conduit fitting or a $\frac{3}{8}$ -inch dual (duplex) connector.

Note: Conduit fittings are not provided.



$\frac{3}{8}$ -inch single in



$\frac{3}{8}$ -inch duplex in/loop

Choosing an Installation Method

❶ Top Knockout

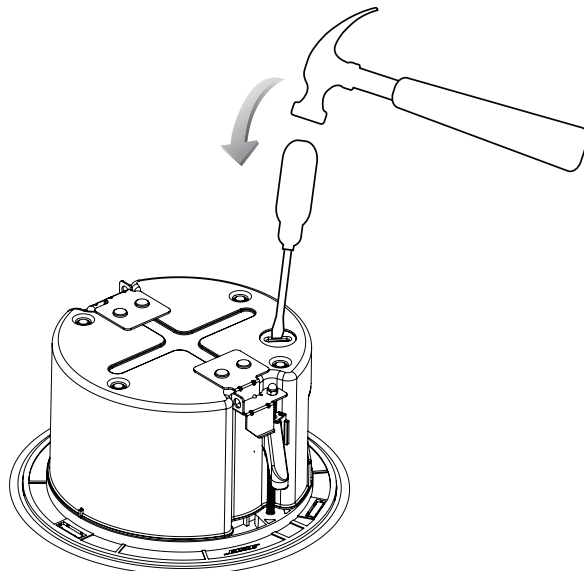
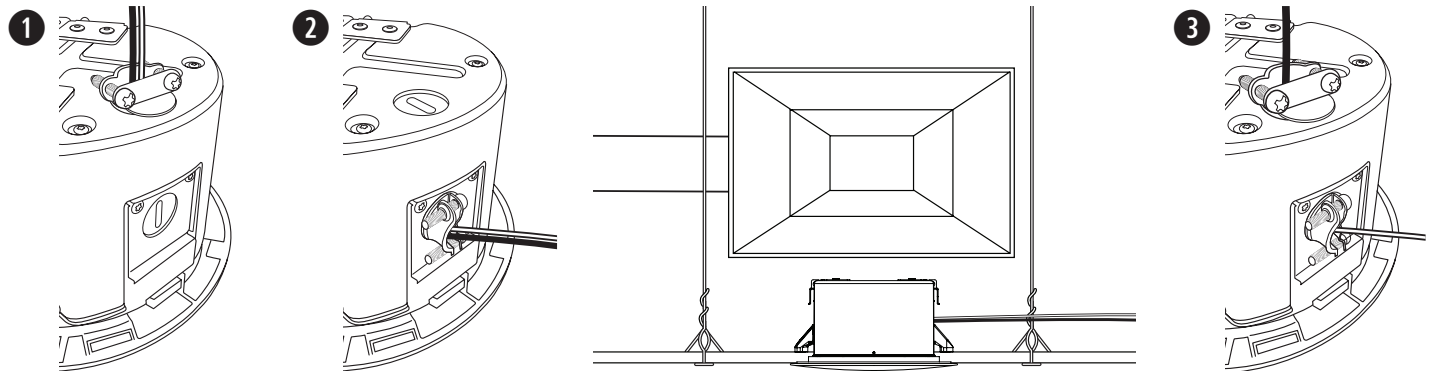
Use the top knockout when there is available space above the ceiling.

❷ Side Knockout

Use the side knockout when there is limited space above the ceiling.

❸ Both Knockouts

Use both knockouts when an independent signal-in and signal-out wiring scheme is required and there is available space above the ceiling.



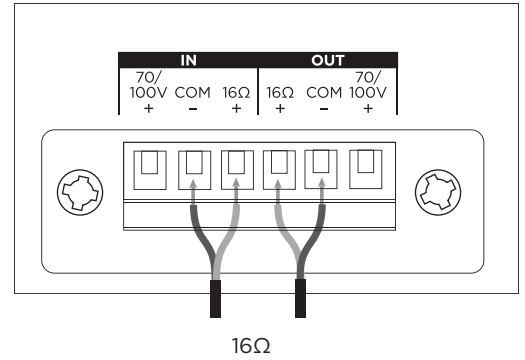
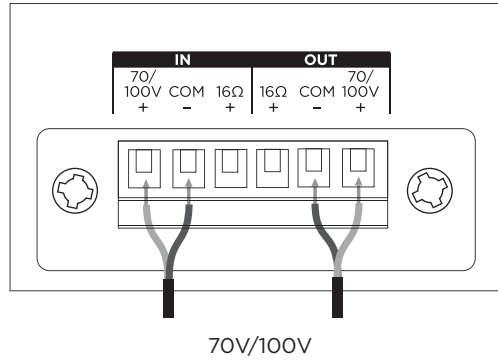
Wiring the Loudspeaker

Wire Gauge

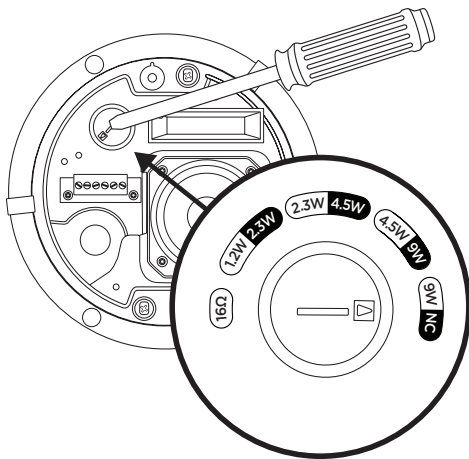
The DesignMax DM2C-LP loudspeaker is designed to work with 18 AWG (0.8 mm²) to 14 AWG (2.1 mm²) size wire only.

Connection Diagrams

Expose six millimeters (¼ inch) of bare wire to attach to the terminals.



Loudspeaker Settings



70V				16Ω
1.2W	2.3W	4.5W	9W*	
2.3W	4.5W	9W	NC**	
100V				

* Factory default

** NC: No Connection (do not use)

Transformer Tap Setting

Set tap by turning. Use a flat head screwdriver.

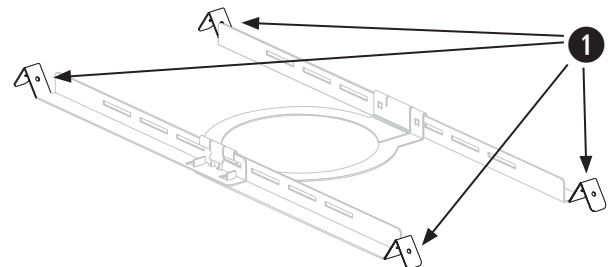
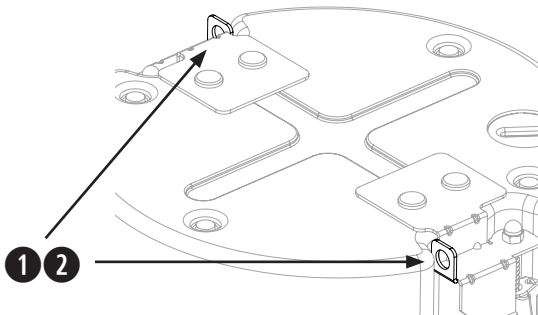
Preparing the Installation

Using a Safety Cable

Some regional construction codes require the use of a secondary method of securing loudspeakers to support structures to provide additional safety. Choose a mounting position, method, and hardware consistent with local building codes and regulations.

Bose recommends using (1) a safety wire or (2) a safety cable as a secondary securing mechanism. See the diagrams below for safety attachment points.

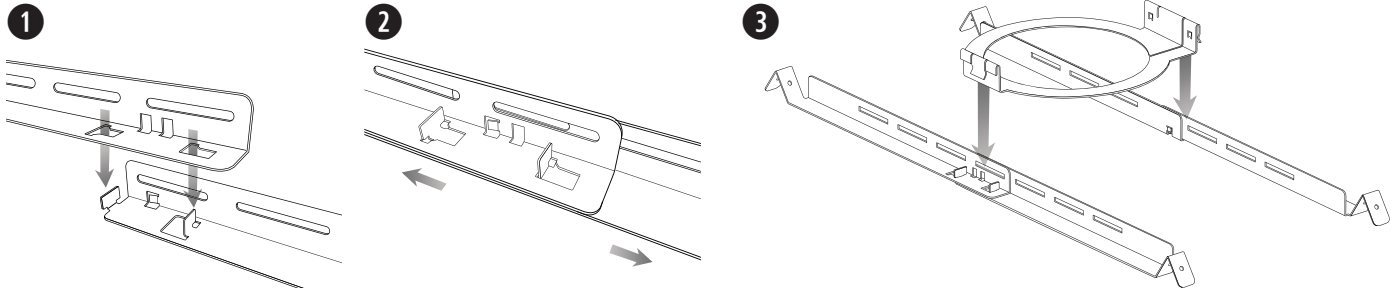
Follow the manufacturer's instructions for any secondary securing mechanism implemented.



Assembling the Tile Bridge

Note: If you are installing in a hard ceiling, assemble the tile bridge after inserting the rails and ring through the hole cutout (see page 7).

1. Align the rails and insert the tabs into the slots.
2. Pull the rails outward to secure them together.
3. Align the rails parallel to each other and press the tile bridge ring down to secure the ring to the rails.

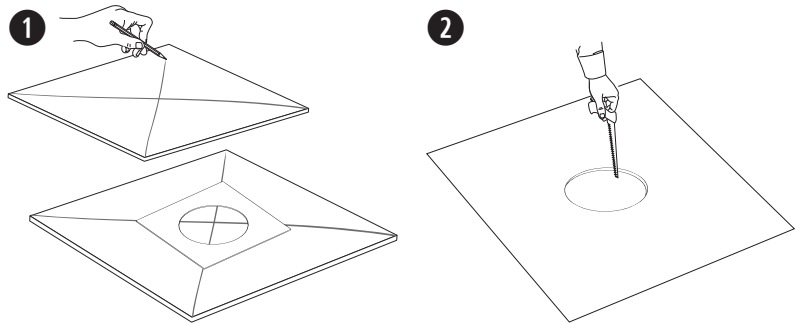


Note: Installation in close proximity to cooking surfaces where the loudspeaker may be directly exposed to cooking oils, such as in commercial cooking environments, may decrease the performance or functionality of the loudspeaker.

Preparing Acoustic Ceiling Tile

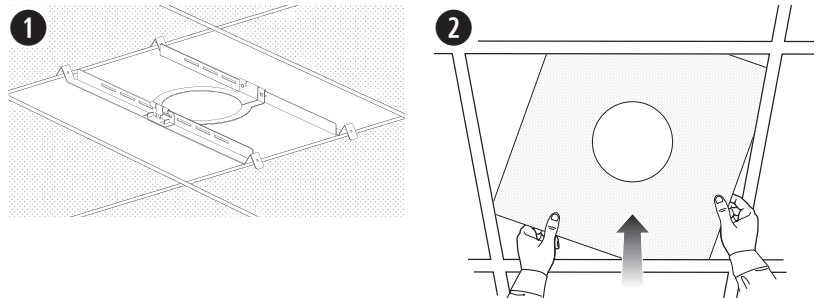
Cutting the Ceiling Tile

1. Remove the tile and use the template to trace a loudspeaker hole onto the tile. To center the template on the tile, draw an X by connecting the corners diagonally and center the template using the crossing point.
2. Cut a hole into the tile.



Installing the Tile Bridge

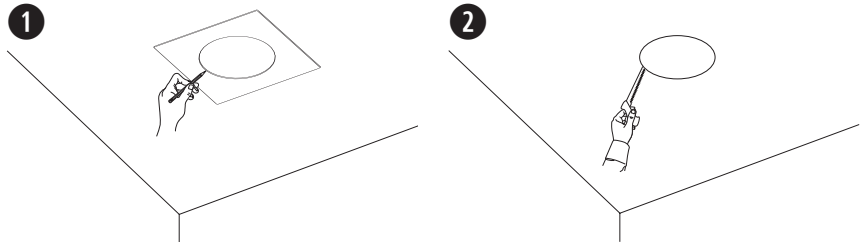
1. Place the assembled tile bridge across the ceiling grid. If necessary, adjust the tile bridge so the rails rest on the ceiling grid.
2. Replace the tile in the ceiling.



Preparing Hard Ceiling (Existing Construction)

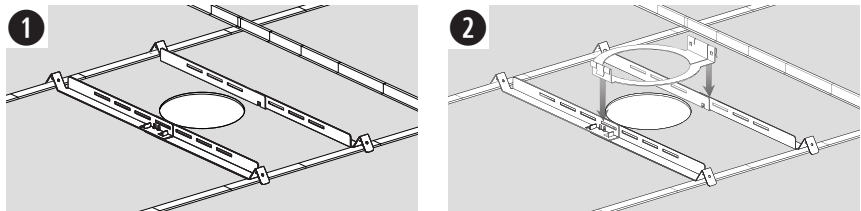
Cutting the Ceiling

1. Use the template to trace a hole onto the ceiling.
2. Cut a hole into the ceiling.



Installing the Tile Bridge

1. Insert the tile bridge rails and ring through the hole and place the rails parallel to each other across the ceiling grid or ceiling furring.
2. Assemble the tile bridge.

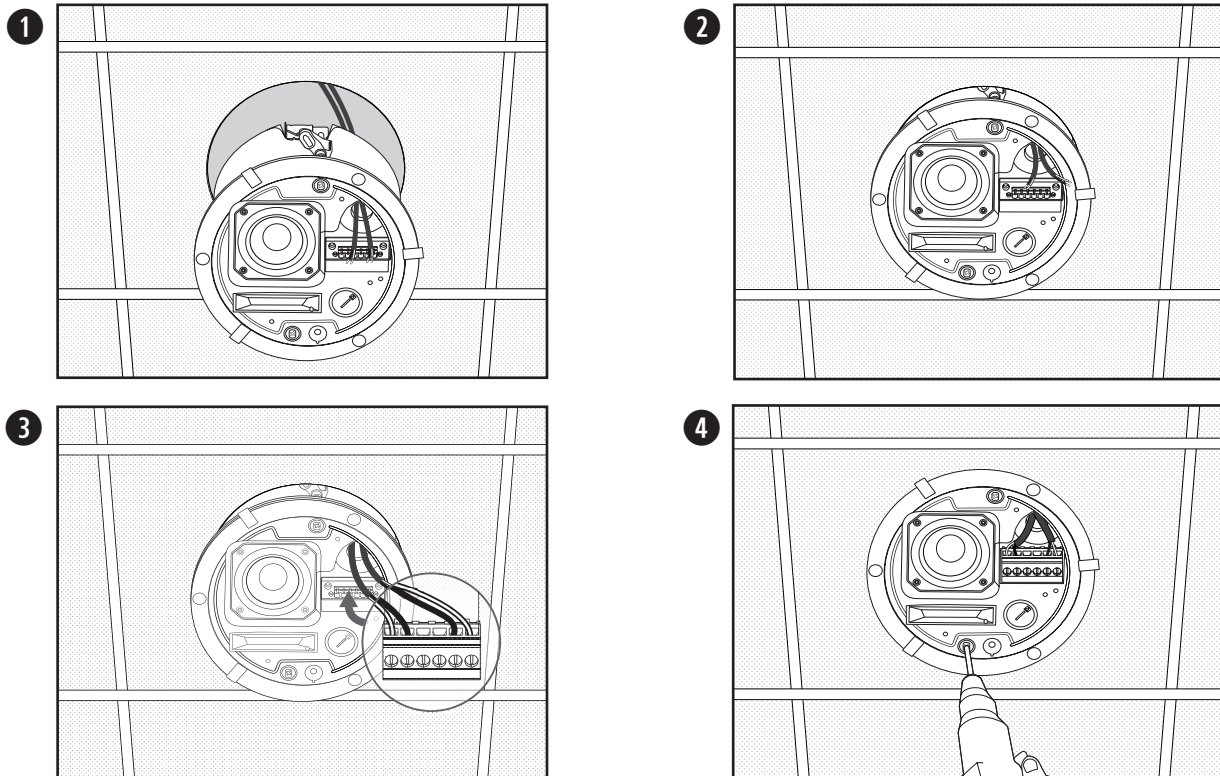


Mounting the Loudspeaker

1. Pass the audio wire through the wire opening.
2. Insert the loudspeaker through the hole and into the tile bridge. Make sure the anchors engage on the tile bridge before loosening your grip on the loudspeaker.
3. Remove the connector, wire the connector, and reinsert the connector into the loudspeaker. For wiring information, see **Wiring the Loudspeaker** on page 5.
4. Tighten the anchor arm screws to secure the loudspeaker. If using a power drill, set to a low torque setting.



WARNING: Over-tightening the screws may result in damage to the anchor attachment point or the ceiling, which could lead to a falling hazard.

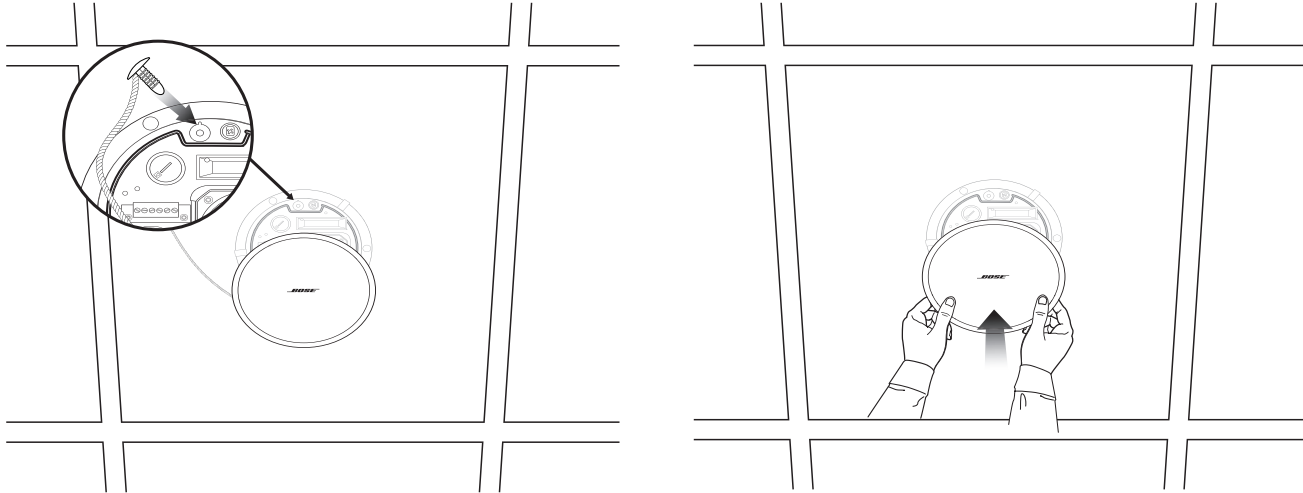


Installing in Hard Ceiling Using a Rough-in Pan (New Construction)

For information on installing a rough-in pan, see the DesignMax Rough-in Pan installation guide at PRO.BOSE.COM. Once the rough-in pan is installed, see **Mounting the Loudspeaker** on page 7.

Attaching the Grille

Insert the safety lanyard pin into the hole in the loudspeaker. Using both hands, position the grille against the loudspeaker. The grille secures to the loudspeaker magnetically.



Safety and Regulatory Compliance

The Bose DesignMax DM2C-LP loudspeaker has passed testing and complies with the following specifications and uses:

Listed to ANSI/UL 1480A-2016, Speakers for Commercial & Safety Professional Use

General-Purpose Use - UL Category UEAY, File Number S 5591 Control Number 3N89

UL-2043, 2013, Fire Test and Visible Smoke Release for Discrete Products and their Accessories Installed in Air Handling Spaces. Suitable for use in air handling (plenum) spaces.

Suitable for installation using Class 1, Class 2, Class 3 wiring methods in accordance with NFPA 70, National Electrical Code, 2017, Article 640

NFPA 70, National Electrical Code, 2017, Article 300-22(c)

NFPA 90-A, 2015, Installation of Air Conditioning and Ventilation Systems, Paragraph 4.3.11.2.6.5

The DesignMax DM2C-LP loudspeaker has been designed to the requirements defined in the following European regulatory specification for combination systems:

Tested to IEC60268-5, 2007

Lea y conserve todas las instrucciones de uso y seguridad.

Este producto está diseñado para ser instalado únicamente por instaladores profesionales. Este documento está diseñado para proveer las pautas de seguridad e instalación básicas a los instaladores profesionales de este producto en sistemas de instalación fija comunes. Lea este documento y todas las advertencias de seguridad antes de comenzar la instalación.

No intente reparar este producto por su cuenta. Remita todas las reparaciones a centros de servicio, instaladores, técnicos o distribuidores autorizados. Para comunicarse con Bose Professional o para encontrar un distribuidor cerca de usted, visite **PRO.BOSE.COM**.

1. Lea estas instrucciones.
2. Guarde estas instrucciones.
3. Preste atención a las advertencias.
4. Siga todas las instrucciones.
5. No use este aparato cerca del agua.
6. Límpielo solamente con un paño seco.
7. No obstruya ninguna abertura de ventilación. Realice la instalación conforme a las instrucciones del fabricante.
8. No lo instale cerca de una fuente de calor, como radiadores, rejillas de calefacción, estufas u otros aparatos (incluidos los amplificadores) que produzcan calor.
9. Utilice solamente los accesorios especificados por el fabricante.

**ADVERTENCIAS/PRECAUCIONES**

Este producto contiene materiales magnéticos. Consulte con su médico si esto podría llegar a afectar un dispositivo médico implantado.

- Todos los productos Bose deben instalarse conforme a las leyes locales, estatales, federales y del sector. Es responsabilidad del instalador garantizar que la instalación del sistema de soporte y los altavoces se realice conforme a los códigos aplicables, incluidos los códigos y las reglamentaciones de construcción locales. Consulte a la autoridad local competente antes de instalar este producto.
- El montaje inseguro o la suspensión en alturas de cualquier carga pesada pueden provocar lesiones graves o la muerte, además de daños a la propiedad. Es responsabilidad del instalador evaluar la confiabilidad de cualquier método de montaje utilizado para su aplicación. Únicamente los instaladores profesionales con conocimiento de las herramientas adecuadas y las técnicas de montaje seguro deberían intentar instalar cualquier altavoz en altura.
- No instale el producto en lugares donde se pueda generar condensación.
- Este producto no está diseñado para ser instalado ni utilizado en zonas de instalaciones acuáticas en interiores (incluidos, entre otros, piscinas techadas, parques acuáticos techados, jacuzzis, saunas, salas de vapor y pistas de patinaje techadas).
- Monte únicamente en superficies que sean resistentes o que no presenten peligros ocultos, como cableado eléctrico o plomería. Si no está seguro acerca de cómo instalar el soporte, comuníquese con un instalador profesional cualificado. Asegúrese de que el soporte esté instalado de acuerdo con los códigos locales de construcción.
- Utilice solo el hardware y los accesorios incluidos, o bien los que Bose especifica como aptos para los altavoces DesignMax DM2C-LP. Para obtener información sobre los accesorios compatibles, consulte la hoja de datos técnicos del producto en **PRO.BOSE.COM**.
- Mantenga el producto lejos del fuego y de fuentes de calor. No coloque sobre el producto, o en su proximidad, fuentes de llamas sin protección; por ejemplo, velas encendidas.
- No realice alteraciones no autorizadas a este producto.
- Durante la instalación, no utilice ningún tipo de solventes, lubricantes ni productos de limpieza a base de hidrocarburos en este altavoz o alrededor de él, ni en los accesorios de montaje asociados. La exposición a estas sustancias puede degradar el plástico, lo que produce grietas y el riesgo de que se caiga el dispositivo.
- Limpie los altavoces solo con un paño seco. No exponga los altavoces a detergentes, aceite mineral, alcohol ni otros agentes o químicos de limpieza.
- La rejilla cuenta con un cordón con amarre de seguridad diseñado para usarlo solo una vez.

Especificaciones del producto:

Voltaje de entrada: 70 V/100 V

Impedancia: 16 Ω, 16 W

Opciones de potencia de salida: (70 V): 1.2 W, 2.3 W, 4.5 W, 9 W; (100 V): 2.3 W, 4.5 W, 9 W

Información normativa

Este producto cumple con todos los requisitos correspondientes de la Directiva de la UE. La declaración de conformidad completa se puede encontrar en: **www.Bose.com/compliance**.



Este producto cumple con todas las regulaciones aplicables de compatibilidad electromagnética de 2016 y todas las demás regulaciones aplicables del Reino Unido. La declaración de conformidad completa se puede encontrar en: **www.Bose.com/compliance**



Este símbolo indica que el producto no se debe desechar como residuo doméstico y se debe enviar a una planta para tratamiento de residuos apropiada para su reciclado. Una eliminación y un reciclado adecuados ayudan a proteger los recursos naturales, la salud humana y el medioambiente. Para obtener más información acerca de la eliminación y el reciclado de este producto, comuníquese con su municipalidad local, un centro de servicios de desecho o la tienda donde compró este producto.

Fecha de fabricación: El octavo dígito del número de serie indica el año de fabricación; p. ej., "7" es 2007 o 2017.

Importador para China: Bose Electronics (Shanghái) Company Limited, Part C, Plant 9, N° 353 North Riyang Road, China (Shanghái), Zona franca piloto

Importador para la UE: Bose Products B.V., Gorslaan 60, 1441 RG Purmerend, Países Bajos

Importador para México: Bose de México, S. de R.L. de C.V., Paseo de las Palmas 405-204, Lomas de Chapultepec, 11000 México, D.F. Para obtener información sobre el servicio y el importador, comuníquese al: +5255 (5202) 3545

Importador para Taiwán: Bose Taiwan Branch, 9F-A1, N° 10, Section 3, Minsheng East Road, Taipei City 104, Taiwán. Número telefónico: +886-2-2514 7676

Importador en el Reino Unido: Bose Limited, Bose House, Quayside Chatham Maritime, Chatham, Kent, ME4 4QZ, Reino Unido

Bose y DesignMax son marcas comerciales de Bose Corporation.

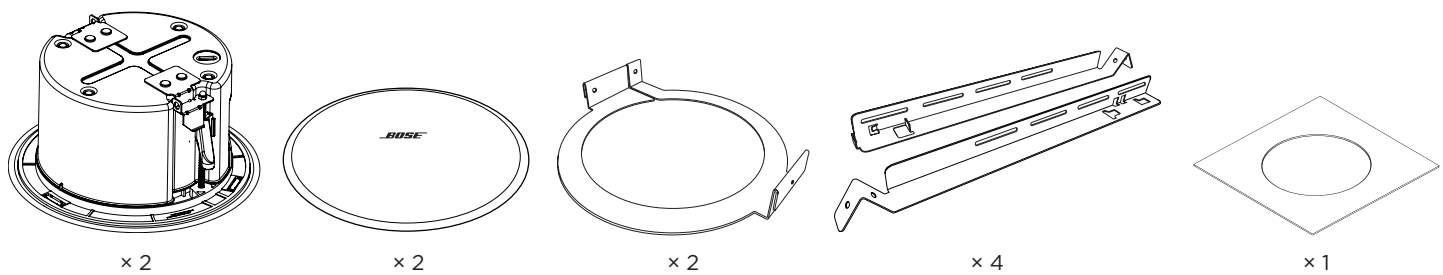
Oficinas centrales de Bose Corporation: 1-877-230-5639

©2021 Bose Corporation. Ninguna parte de este trabajo podrá reproducirse, modificarse, distribuirse ni usarse sin un permiso previo por escrito.

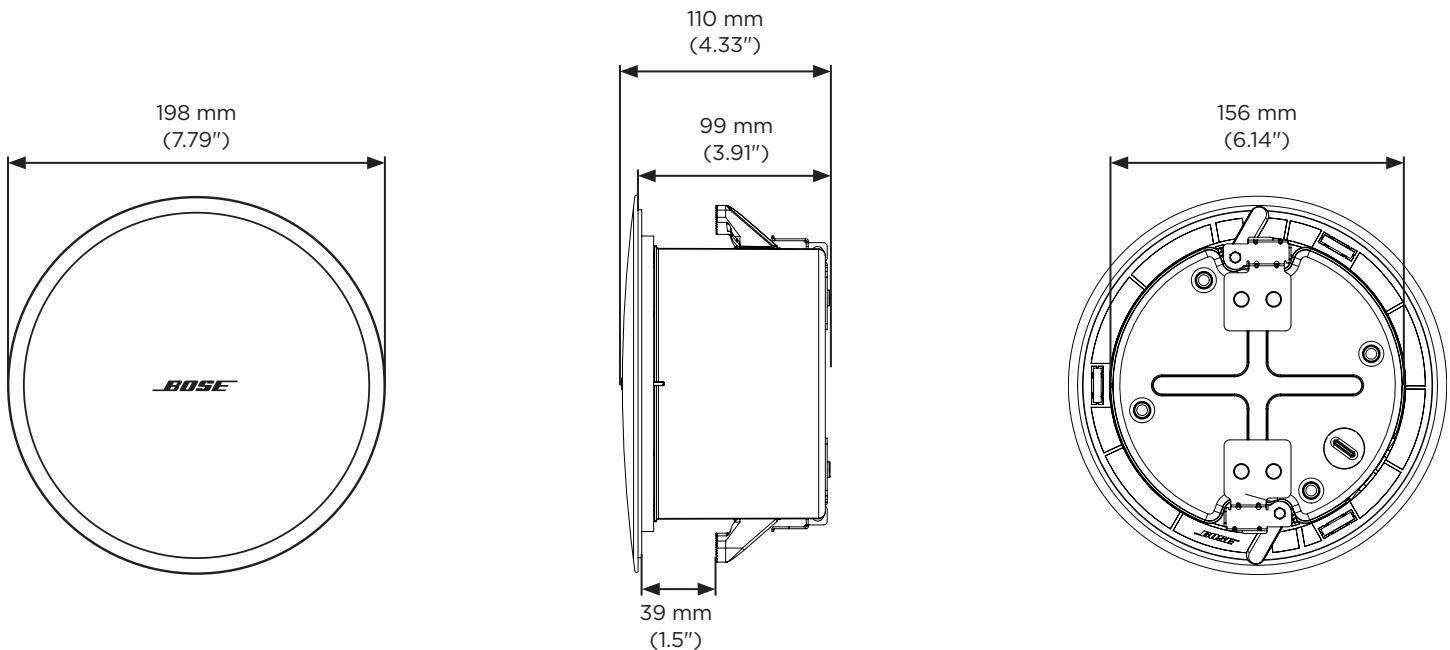
Información de la garantía

Este producto está cubierto con una garantía limitada. Para ver los detalles de la garantía, visite **PRO.BOSE.COM**.

Contenido de la caja



Dimensiones del producto



Especificaciones técnicas

Para conocer más especificaciones, consulte la hoja de datos técnicos de DesignMax DM2C-LP en PRO.BOSE.COM.

Datos físicos	
Dimensiones del producto	Diámetro de la rejilla: 198 mm (7.79")
	Diámetro de la carcasa: 156 mm (6.14")
	Profundidad de la carcasa posterior: 99 mm (3.91")
Medida de calado/perforación	165 mm (6.5")
Grosor máximo del techo	39 mm (1.5")
Peso neto, altavoz con rejilla (individual)	1.63 kg (3.6 lb)
Peso neto, puente de mosaico (individual)	0.72 kg (1.6 lb)
Peso de envío (par)	5.99 kg (13.2 lb)

Información importante sobre la instalación



Es responsabilidad del instalador garantizar que la instalación del sistema de soporte y los altavoces se realice conforme a los códigos vigentes, incluidos los códigos y las reglamentaciones de construcción locales. Consulte a la autoridad local competente antes de instalar este producto.

Es responsabilidad del instalador garantizar que la instalación de los altavoces sea segura. Si no se instala el altavoz correctamente, podría provocar daños, lesiones o la muerte.

No instale el producto en lugares donde se pueda generar condensación.



Este producto no está diseñado para ser instalado ni utilizado en zonas de instalaciones acuáticas en interiores (incluidos, entre otros, piscinas techadas, parques acuáticos techados, jacuzzis, saunas, salas de vapor y pistas de patinaje techadas).

Monte únicamente en superficies que sean resistentes o que no presenten peligros ocultos, como cableado eléctrico o plomería. Si no está seguro acerca de cómo instalar el soporte, comuníquese con un instalador profesional cualificado. Asegúrese de que el soporte esté instalado de acuerdo con los códigos locales de construcción.

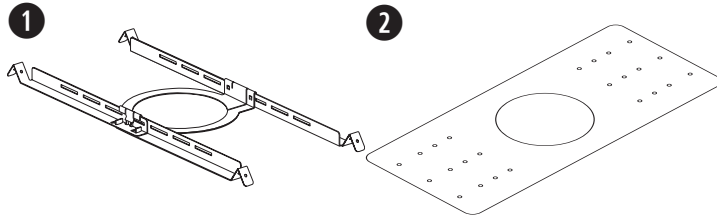


Durante la instalación, no utilice ningún tipo de solventes, lubricantes ni productos de limpieza a base de hidrocarburos en este altavoz o alrededor de él, ni en los accesorios de montaje asociados. La exposición a estas sustancias puede degradar el plástico, lo que produce grietas y el riesgo de que se caiga el dispositivo.

Opciones de instalación

Opciones y accesorios de instalación

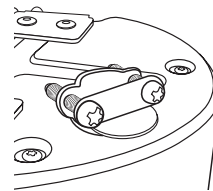
- ❶ Puente de mosaico ajustable (incluido)
- ❷ Bandeja empotrada (opcional)



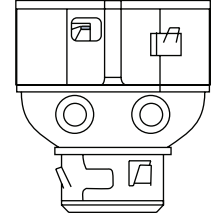
Accesorios de conductos

Si utiliza un conducto metálico flexible, hágalo con un accesorio de conducto de $\frac{3}{8}$ pulgadas o un conector doble (dúplex) de $\frac{3}{8}$ pulgadas.

Nota: No se proporcionan los accesorios de conducto.



Entrada única de $\frac{3}{8}$ pulgadas



Entrada dúplex/loop de $\frac{3}{8}$ pulgadas

Selección de un método de instalación

❶ Troquel superior

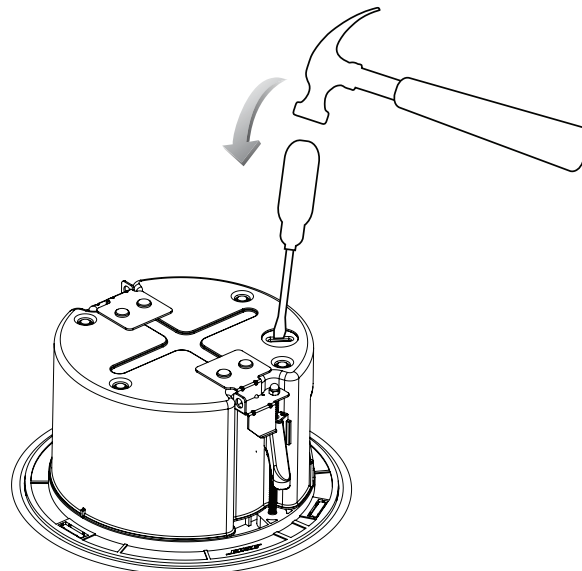
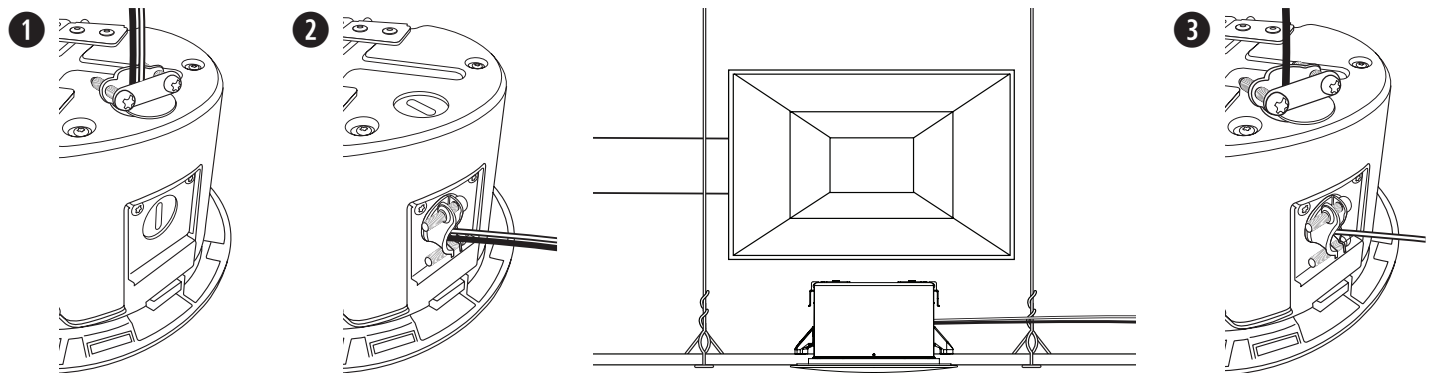
Utilice el troquel superior cuando haya espacio disponible sobre el techo.

❷ Troquel lateral

Utilice el troquel lateral cuando haya espacio limitado sobre el techo.

❸ Ambos troqueles

Utilice ambos troqueles cuando se necesite un esquema de cableado de entrada y salida de señal independiente y haya espacio disponible sobre el techo.



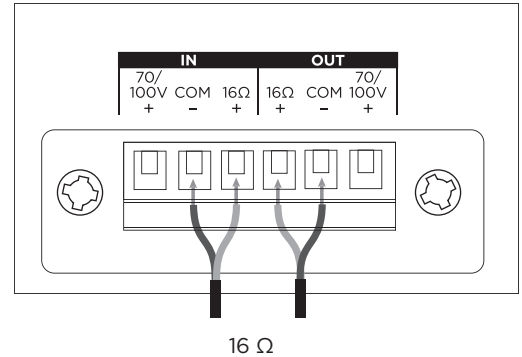
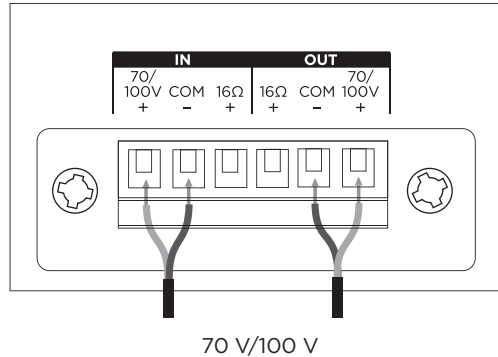
Cableado de los altavoces

Calibre de cable

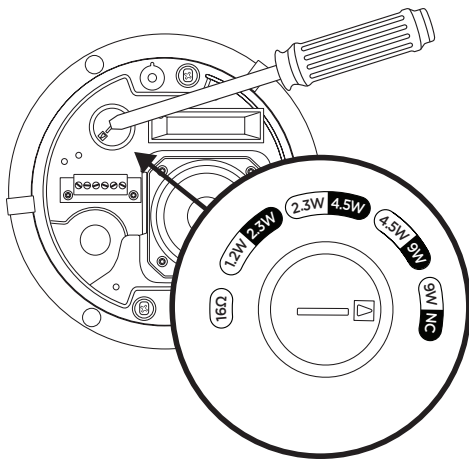
El altavoz DesignMax DM2C-LP está diseñado para funcionar únicamente con cables que midan de 18 AWG (0.8 mm²) a 14 AWG (2.1 mm²).

Diagramas de conexión

Exponga 6 milímetros (¼") de cable sin aislación para conectarlo a los terminales.



Configuración de altavoz



70 V				16 Ω
1.2 W	2.3 W	4.5 W	9 W*	
2.3 W	4.5 W	9 W	NC**	
100 V				

* Predeterminado de fábrica ** NC: Sin conexión (no utilizar)

Configuración de la toma del transformador

Gire la toma para establecer la configuración. Utilice un destornillador de cabeza plana.

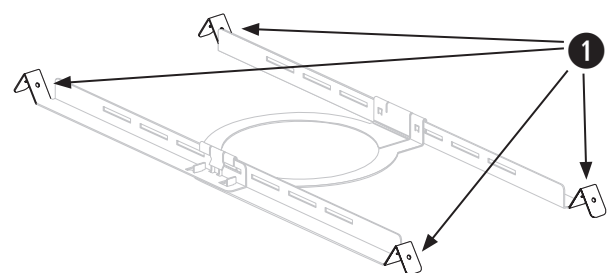
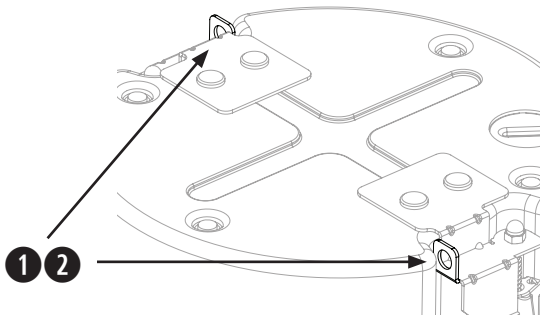
Preparación de la instalación

Uso de un cable de seguridad

En algunos códigos regionales de construcción, se exige el uso de un método secundario de fijación de los altavoces a estructuras de apoyo con el propósito de brindar mayor seguridad. Elija una posición de montaje, un método y los componentes que cumplan con los códigos y los reglamentos locales de construcción.

Bose recomienda utilizar un alambre de seguridad (1) o un cable de seguridad (2) como mecanismo secundario de fijación. Consulte los siguientes diagramas para conocer los puntos de fijación de seguridad.

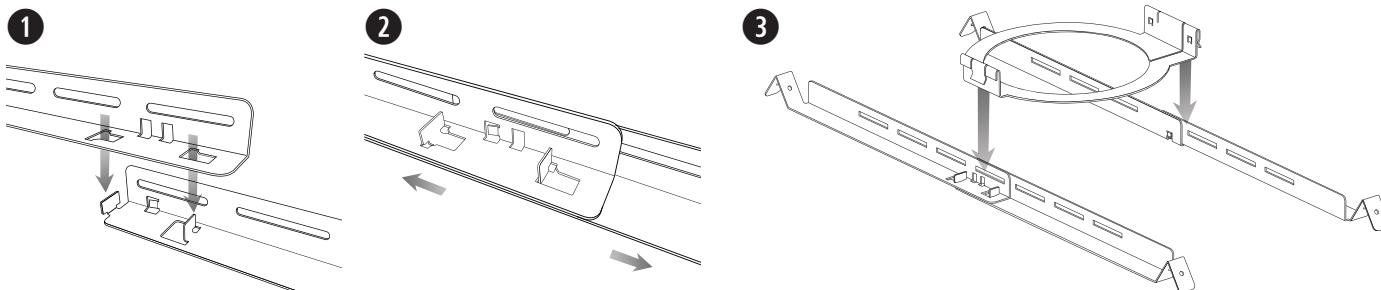
Siga las instrucciones del fabricante en la instalación de cualquier mecanismo de fijación secundario que desee implementar.



Montaje del puente de mosaico

Nota: Si está realizando la instalación en un techo duro, monte el puente de mosaico después de insertar los rieles y el anillo a través de la perforación (consulte la página 14).

1. Alinee los rieles e inserte las lengüetas en las ranuras.
2. Tire los rieles hacia afuera para asegurarlos.
3. Alinee los rieles de manera paralela y presione el anillo del puente de mosaico para asegurarlo a los rieles.

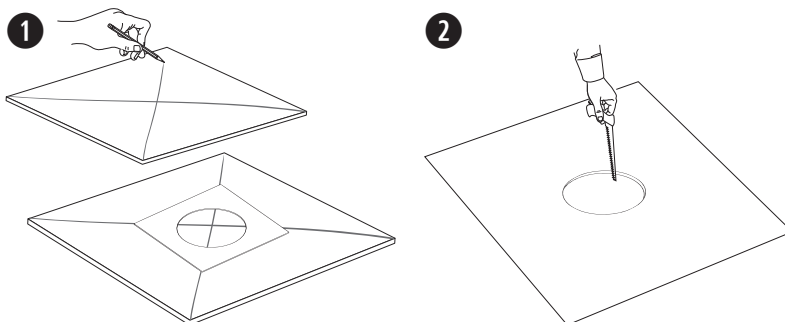


Nota: Si el altavoz se instala cerca de superficies de cocina, como entornos comerciales de cocina en los que quede expuesto directamente a aceites, es posible que disminuya el rendimiento o la operatividad del dispositivo.

Preparación del mosaico acústico para techo

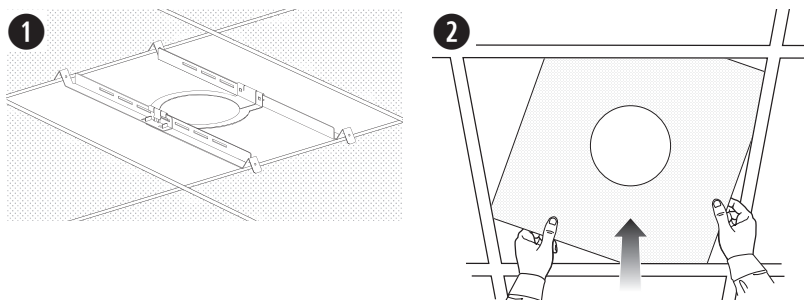
Corte del mosaico de techo

1. Retire el mosaico y utilice la plantilla para marcar un orificio para el altavoz en el mosaico. Para centrar la plantilla sobre el mosaico, conecte las esquinas diagonalmente dibujando una X, luego alinee la plantilla utilizando el punto de cruce.
2. Haga un orificio en el mosaico.



Instalación del puente de mosaico

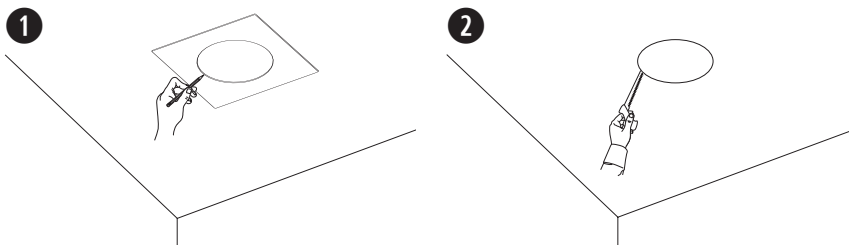
1. Ubique el puente de mosaico montado en la cuadrícula del techo. Si es necesario, ajuste el puente de mosaico de modo que los rieles descansen sobre la cuadrícula del techo.
2. Reemplace el mosaico del techo.



Preparación de un techo duro (construcción existente)

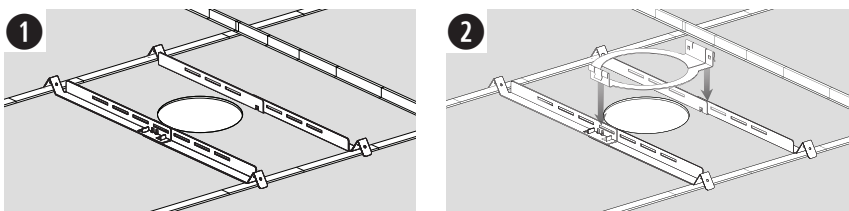
Corte del techo

1. Utilice la plantilla para marcar el orificio en el techo.
2. Haga un orificio en el techo.



Instalación del puente de mosaico

1. Inserte los rieles de puente y el anillo a través del orificio y coloque los rieles de manera paralela en la cuadrícula o el enrasillado del techo.
2. Montaje del puente de mosaico.

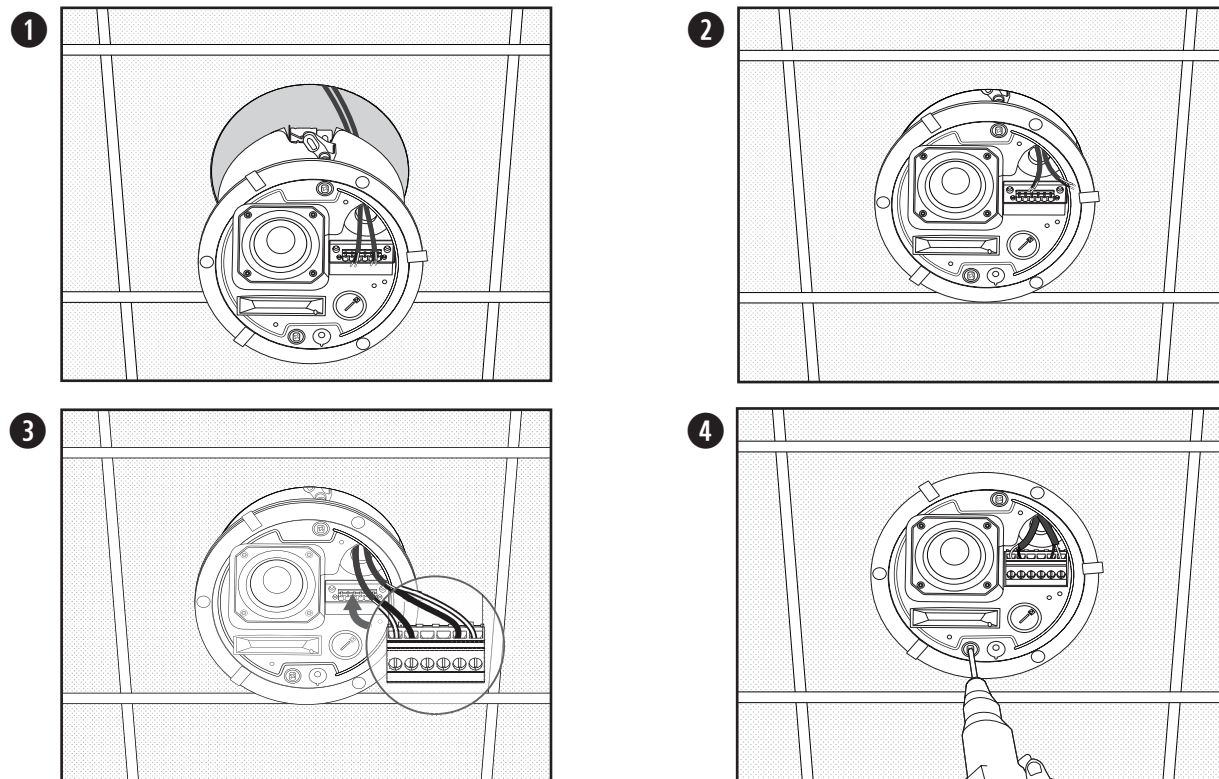


Montaje del altavoz

1. Pase el cable de audio a través de la apertura para cables.
2. Inserte el altavoz a través del orificio y en el puente de mosaico. Asegúrese de que los anclajes se ajusten correctamente en el puente de mosaico antes de soltar los altavoces.
3. Retire el conector, conéctele los cables y vuelva a insertarlo en el altavoz. Para obtener información sobre el cableado, consulte **Cableado de los altavoces** en la página 12.
4. Fije los tornillos del brazo de anclaje para sujetar el altavoz. Si utiliza un taladro eléctrico, ajústelo a una posición para torque bajo.



ADVERTENCIA: Apretar demasiado los tornillos puede dañar el punto de conexión del anclaje o el techo, lo que puede producir el riesgo de que se caiga el dispositivo.

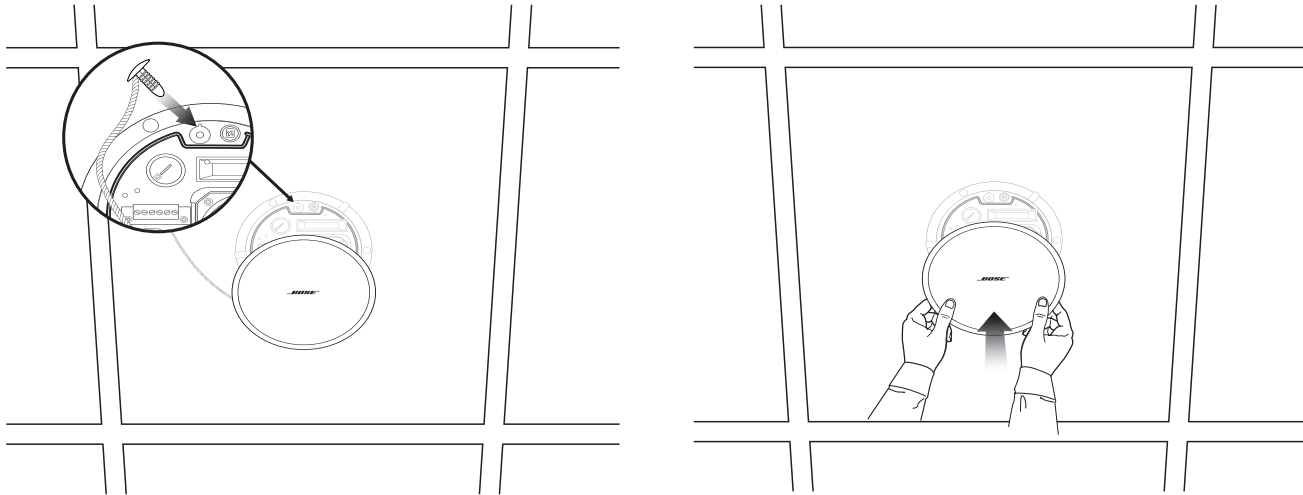


Instalación en techos duros con una bandeja empotrada (construcción nueva)

Para obtener información sobre la instalación de una bandeja empotrada, consulte la guía de instalación de la bandeja empotrada del DesignMax en **PRO.BOSE.COM**. Cuando la bandeja empotrada esté instalada, consulte **Montaje del altavoz** en la página 14.

Fijación de la rejilla

Inserte el cordón con amarre de seguridad en el orificio del altavoz. Coloque la rejilla frente al altavoz usando ambas manos. La rejilla se fija al altavoz con imanes.



Cumplimiento de las normativas y los reglamentos de seguridad

El altavoz Bose DesignMax DM2C-LP ha superado pruebas y cumple con los siguientes usos y especificaciones:

Registrados en el estándar ANSI/UL 1480A-2016 para altavoces de uso comercial y profesional seguro

Uso general: estándar UL categoría UEAY, número de archivo S 5591, número de control 3N89

Estándar UL-2043, 2013, prueba de fuego y liberación de humo visible para productos diferenciados y sus accesorios instalados en espacios de circulación de aire. Apto para el uso en espacios con circulación de aire exterior (cámaras de aire).

Apto para la instalación con métodos de cableado Clase 1, Clase 2 y Clase 3 de conformidad con el estándar NFPA 70, Código Eléctrico Nacional, 2017, Artículo 640

Estándar NFPA 70, Código Eléctrico Nacional, 2017, Artículo 300-22(c)

Estándar NFPA 90-A, 2015, instalación de sistemas de aire acondicionado y ventilación, Párrafo 4.3.11.2.6.5

El altavoz DesignMax DM2C-LP se diseñó según los requisitos definidos en la siguiente especificación reglamentaria europea para sistemas combinados:


Probado según IEC60268-5, 2007

Merci de lire et de conserver le manuel d'instruction et de respecter les consignes de sécurité.


Ce produit doit être installé par un technicien professionnel ! Ce document est destiné à fournir aux techniciens professionnels les directives de montage et de sécurité relatives à ce produit dédié à une installation fixe. Veuillez lire ce document, ainsi que l'ensemble des avertissements de sécurité avant de procéder à l'installation.


Ne tentez pas de réparer ce produit vous-même. Confiez toutes les opérations de maintenance à des centres de service, installateurs, techniciens, revendeurs ou distributeurs agréés. Pour contacter Bose Professional ou pour trouver un revendeur ou un distributeur près de chez vous, rendez-vous à l'adresse **PRO.BOSE.COM**.

1. Veuillez lire ces consignes.
2. Veuillez conserver ces consignes.
3. Respectez tous les avertissements.
4. Suivez toutes les consignes.
5. N'utilisez pas cet appareil à proximité d'eau ou de toute autre source d'humidité.
6. Utilisez uniquement un chiffon sec pour le nettoyage.
7. Ne bloquez jamais les orifices d'aération. Suivez les instructions du fabricant pour l'installation.
8. N'installez pas cet appareil à proximité d'une quelconque source de chaleur, telle qu'un radiateur, une arrivée d'air chaud, un four ou tout autre appareil (notamment les amplificateurs) produisant de la chaleur.
9. Utilisez uniquement les accessoires spécifiés par le fabricant.



AVERTISSEMENTS/PRÉCAUTIONS



 Ce produit contient des composants magnétiques. Consultez votre médecin afin de savoir si ces composants peuvent avoir une incidence sur tout dispositif médical implanté.

- Tous les produits Bose doivent être installés dans le respect des réglementations locales et nationales. L'installateur est responsable du respect de tous les codes et règlements locaux et nationaux en vigueur applicables à l'installation et au montage des enceintes. Consultez les autorités locales compétentes avant d'installer ce produit.
- Tout montage non sécurisé ou suspension d'une lourde charge peut provoquer des dégâts matériels et des blessures graves, voire la mort. Il est de la responsabilité de l'installateur d'évaluer la fiabilité de la méthode de montage utilisée, en fonction de l'application. Seul un installateur professionnel connaissant les accessoires et techniques de montage adaptés est qualifié pour installer des enceintes suspendues.
- Ne montez pas le produit dans des endroits où de la condensation peut se former.
- Ce produit n'est pas destiné à être monté ou utilisé dans des installations humides en intérieur (par exemple piscine intérieure, parc aquatique intérieur, baignoire à remous, sauna, hammam, patinoire intérieure, etc.).
- Veillez à ne pas installer sur des surfaces peu résistantes ou dans lesquelles peuvent être intégrés des fils électriques ou des tuyaux de plomberie. En cas de doute, faites appel à un installateur professionnel. Veillez à installer le support conformément aux normes de construction locales.
- N'utilisez que le matériel et les accessoires livrés ou spécifiés par Bose pour une utilisation avec les enceintes DesignMax DM2C-LP. Pour plus d'informations sur les accessoires compatibles, reportez-vous à la fiche technique du produit sur **PRO.BOSE.COM**.
- Tenez le produit à l'écart du feu et des sources de chaleur. Ne placez jamais d'objets enflammés, tels que des bougies allumées, sur l'appareil.
- Veillez à ne pas effectuer de modifications non autorisées sur ce produit.
- N'appliquez aucun type de produit de nettoyage, d'huile de graissage ou de solvant à base d'hydrocarbure sur ou autour de cette enceinte et du matériel de montage associé pendant l'installation. L'exposition à de telles substances peut provoquer une dégradation du matériau plastique, se traduisant par des fêlures pouvant conduire à une chute de l'enceinte.
- Nettoyez uniquement les enceintes avec un chiffon sec. N'exposez pas l'enceinte à du savon, des détergents, des huiles minérales, de l'alcool ou d'autres agents nettoyants ou chimiques.
- La grille est équipée d'un cordon de sécurité à usage unique.

Spécifications du produit :

Tension d'entrée : 70 V/100 V

Impédance : 16 Ω, 16 W

Courant ou puissance : (70 V) : 1,2 W, 2,3 W, 4,5 W, 9 W ; (100 V) : 2,3 W, 4,5 W, 9 W

Informations réglementaires



Ce produit est conforme à toutes les directives de l'Union européenne qui s'y appliquent. La déclaration de conformité complète est disponible à l'adresse suivante : **www.Bose.com/compliance/**.



Ce produit est conforme à toutes les réglementations de 2016 en matière de compatibilité électromagnétique et à toutes les autres réglementations britanniques applicables. L'attestation complète de conformité est disponible à l'adresse **www.Bose.com/compliance**



Ce symbole signifie que le produit ne doit pas être jeté avec les déchets ménagers, mais doit être déposé dans un centre de collecte approprié pour recyclage. La mise au rebut adéquate et le recyclage permettent de protéger les ressources naturelles, la santé humaine et l'environnement. Pour plus d'informations sur l'élimination et le recyclage de ce produit, contactez votre mairie, votre service d'enlèvement des ordures ou le magasin où vous avez acheté ce produit.

Date de fabrication : le huitième chiffre du numéro de série indique l'année de fabrication ; par exemple, « 7 » correspond à 2007 ou à 2017.

Importateur pour la Chine : Bose Electronics (Shanghai) Company Limited, Part C, Plant 9, No. 353 North Ruying Road, China (Shanghai) Pilot Free Trade Zone

Importateur pour l'UE : Bose Products B.V., Gorslaan 60, 1441 RG Purmerend, Pays-Bas

Importateur pour le Mexique : Bose de México, S. de R.L. de C.V., Paseo de las Palmas 405-204, Lomas de Chapultepec, 11000 México, D.F. Pour plus d'informations sur l'importateur et le service : +5255 (5202) 3545

Importateur pour Taïwan : Bose Taiwan Branch, 9F-A1, No. 10, Section 3, Minsheng East Road, Taipei City 104, Taiwan. Numéro de téléphone : +886-2-2514 7676

Importateur pour le Royaume-Uni : Bose Limited, Bose House, Quayside Chatham Maritime, Chatham, Kent, ME4 4QZ, Royaume-Uni

Bose et DesignMax sont des marques commerciales de Bose Corporation.

Siège de Bose Corporation : 1-877-230-5639

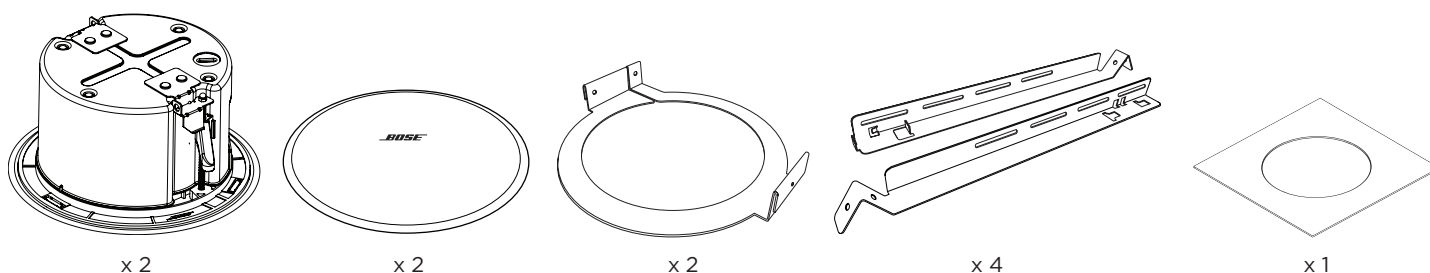
©2021 Bose Corporation. Toute reproduction, modification, distribution ou autre utilisation, même partielle, de ce document est interdite sans autorisation écrite préalable.

Informations relatives à la garantie

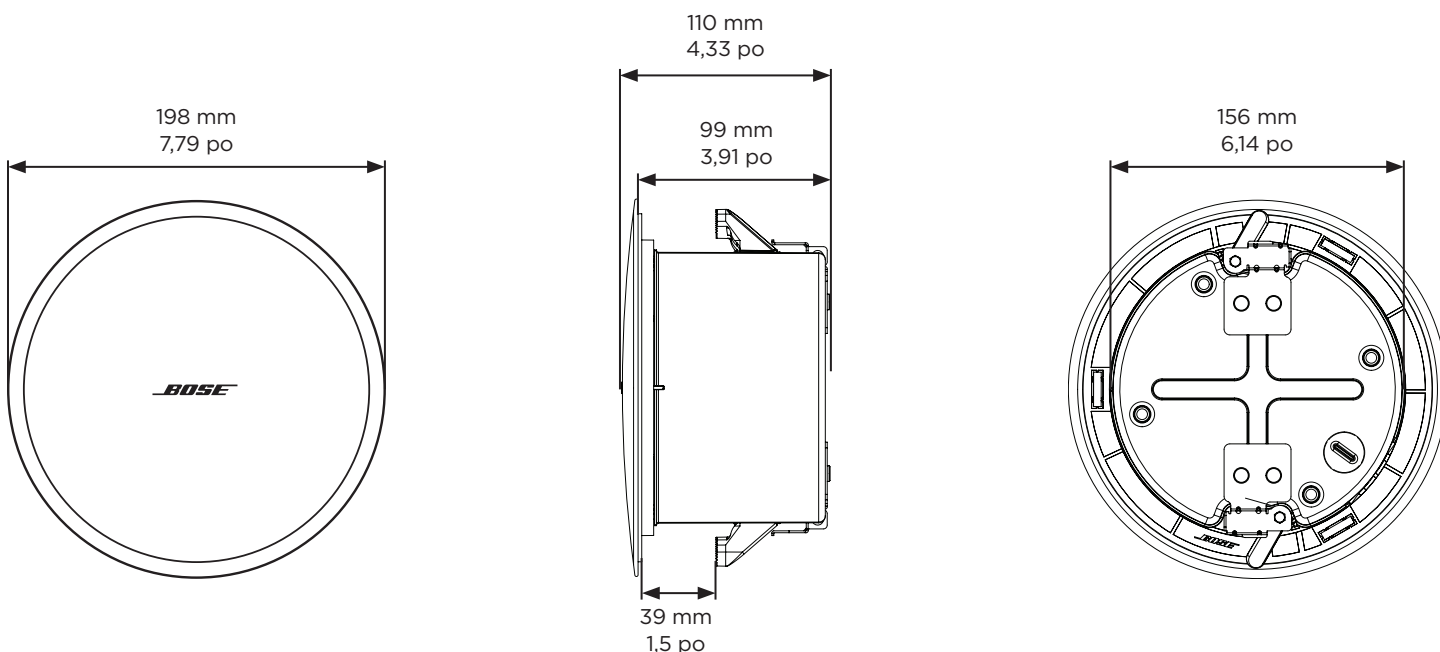
Cet appareil est couvert par une garantie limitée.

Pour avoir plus d'information sur la garantie, visitez **PRO.BOSE.COM**.

Contenu de l'emballage



Dimensions du produit



Caractéristiques techniques

Vous trouverez des caractéristiques supplémentaires dans la fiche technique des enceintes DesignMax DM2C-LP sur PRO.BOSE.COM.

Caractéristiques physiques	
Dimensions du produit	Diamètre de la grille : 198 mm (7,79 po)
	Diamètre du boîtier : 156 mm (6,14 po)
	Profondeur du boîtier : 99 mm (3,91 po)
Ouverture à découper	165 mm (6,5 po)
Épaisseur maximale du plafond	39 mm (1,5 po)
Poids net, enceinte avec grille (une seule enceinte)	1,63 kg (3,6 lb)
Poids net, plaque de renfort pour plafond à dalles (une seule enceinte)	0,72 kg (1,6 lb)
Poids brut (paire d'enceintes)	5,99 kg (13,2 lb)

Informations importantes concernant l'installation



L'installateur est responsable du respect de tous les codes et règlements locaux et nationaux en vigueur applicables à l'installation et au montage des enceintes. Consultez les autorités locales compétentes avant d'installer ce produit.

Il incombe à l'installateur d'assurer la sécurité de l'installation de l'enceinte. L'installation incorrecte de l'enceinte est susceptible d'entraîner des dommages et des blessures, voire la mort.

Ne montez pas le produit dans des endroits où de la condensation peut se former.



Ce produit n'est pas destiné à être monté ou utilisé dans des installations humides en intérieur (par exemple piscine intérieure, parc aquatique intérieur, baignoire à remous, sauna, hammam, patinoire intérieure, etc.).

Veillez à ne pas installer sur des surfaces peu résistantes ou dans lesquelles peuvent être intégrés des fils électriques ou des tuyaux de plomberie. En cas de doute, faites appel à un installateur professionnel. Veillez à installer le support conformément aux normes de construction locales.

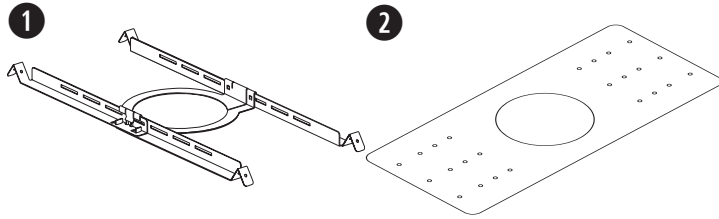


N'appliquez aucun type de produit de nettoyage, d'huile de graissage ou de solvant à base d'hydrocarbure sur ou autour de cette enceinte et du matériel de montage associé pendant l'installation. L'exposition à de telles substances peut provoquer une dégradation du matériau plastique, se traduisant par des fêlures pouvant conduire à une chute de l'enceinte.

Options d'installation

Options d'installation et accessoires

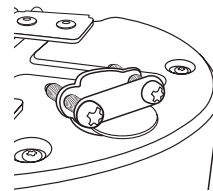
- ❶ Plaque de renfort réglable pour plafond à dalles (inclus)
- ❷ Plaque de montage en faux-plafond (en option)



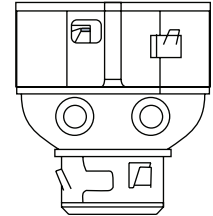
Raccord de conduit

Si vous utilisez un conduit en métal flexible, associez-le à un raccord de conduit $\frac{3}{8}$ pouce ou à un connecteur double (duplex) $\frac{3}{8}$ pouce.

Remarque : les raccords de conduit ne sont pas fournis.



Entrée simple
 $\frac{3}{8}$ pouces



Entrée duplex/boucle
 $\frac{3}{8}$ pouces

Choisir une méthode d'installation

❶ Ouverture du haut

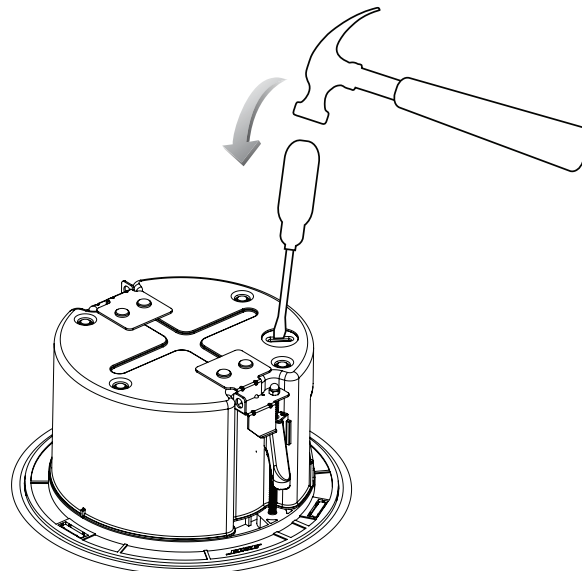
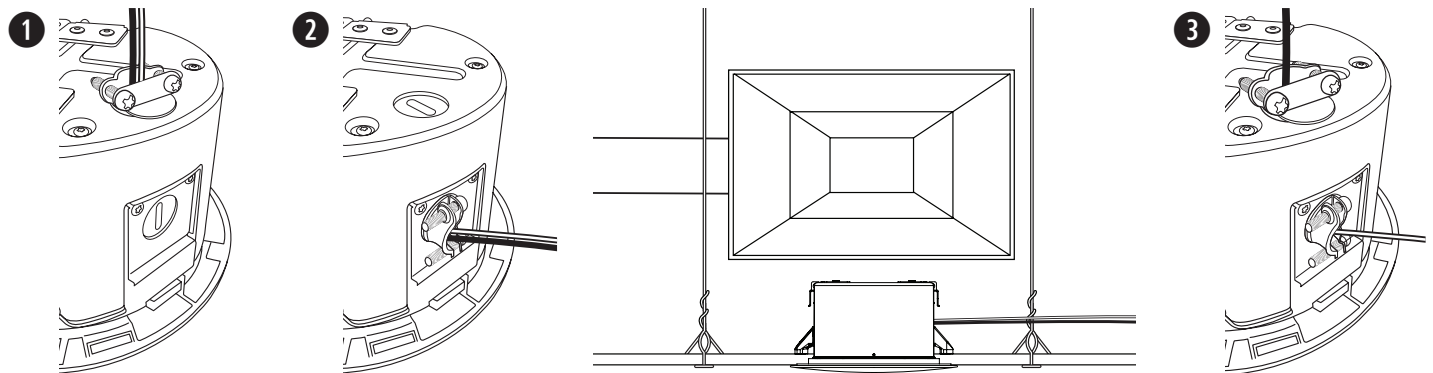
Utilisez l'ouverture du haut lorsqu'il y a suffisamment d'espace au-dessus du plafond.

❷ Ouverture latérale

Utilisez l'ouverture latérale lorsque l'espace au-dessus du plafond est limité.

❸ Deux ouvertures

Utilisez les deux ouvertures lorsqu'un système de câblage d'entrée et de sortie de signal indépendants est requis et qu'il y a suffisamment d'espace au-dessus du plafond.



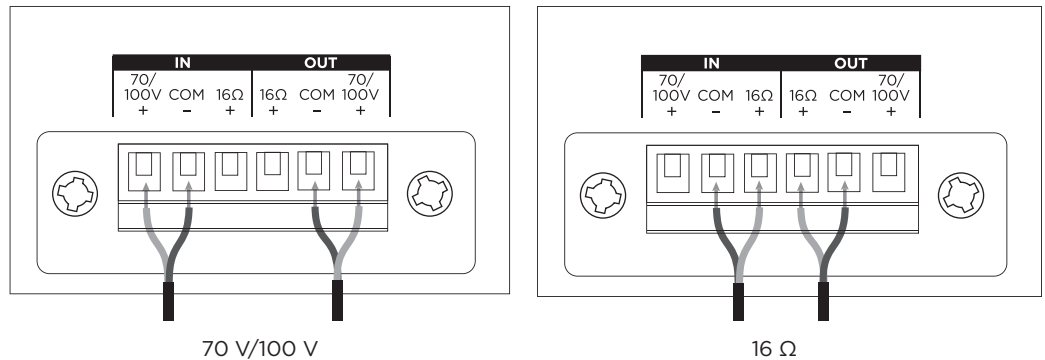
Câblage de l'enceinte

Épaisseur des câbles

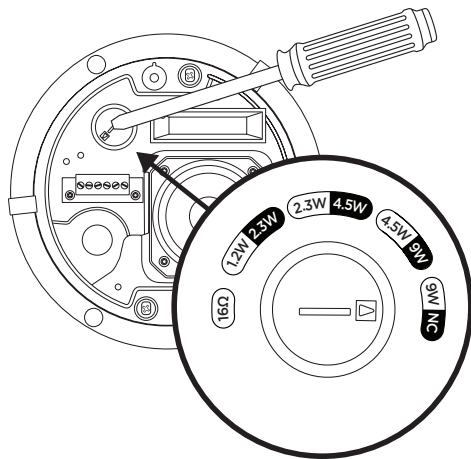
L'enceinte DesignMax DM2C-LP est conçue pour fonctionner avec des câbles de taille 18 (0, mm²) à 14 AWG (2,1 mm²) uniquement.

Diagrammes de connexion

Exposez six millimètres (¼ po) de fil dénudé à relier aux bornes.



Réglages de l'enceinte



70 V				16 Ω
1,2 W	2,3 W	4,5 W	9 W*	
2,3 W	4,5 W	9 W	NC**	
100 V				

* Réglage d'usine par défaut

** NC : pas de connexion (ne pas utiliser)

Réglage de la prise du transformateur

Réglez la prise en la tournant. Utilisez un tournevis à tête plate.

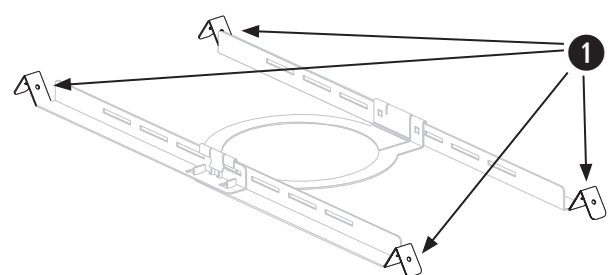
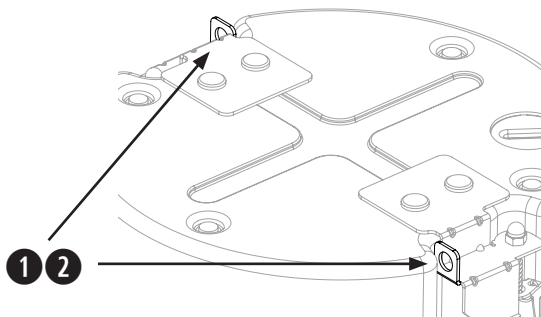
Préparation de l'installation

Utilisation d'un câble de sécurité

Le code de l'urbanisme de certaines régions impose l'utilisation d'une méthode secondaire de fixation des enceintes aux structures porteuses pour apporter une sécurité supplémentaire. Pour le montage, choisissez une position, une méthode et des accessoires compatibles avec le code de l'urbanisme local.

Bose recommande l'utilisation de : (1) un fil de sécurité ou (2) un câble de sécurité comme dispositif de sécurité secondaire. Voir les schémas ci-dessous pour les points de fixation de sécurité.

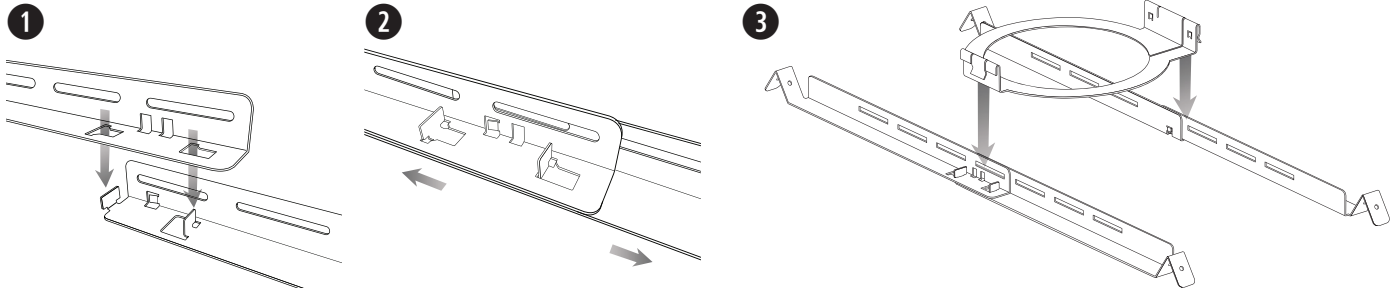
Suivez les instructions du fabricant pour toute implémentation d'un dispositif de sécurité secondaire.



Assemblage de la plaque de renfort pour plafond à dalles

Remarque : en cas d'installation dans un plafond dur, assemblez la plaque de renfort après avoir inséré les bras et l'anneau à travers l'ouverture découpée (voir page 21).

1. Alignez les bras et insérez les languettes dans les fentes.
2. Tirez les bras vers l'extérieur pour les fixer les uns aux autres.
3. Alignez les bras de façon parallèle et enfoncez l'anneau de la plaque de renfort dans les bras pour le fixer.

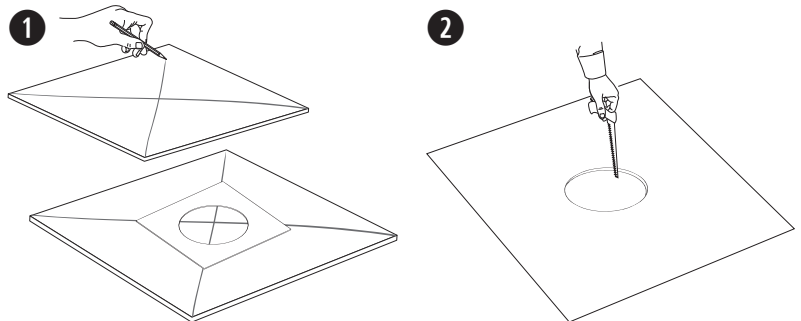


Remarque : une installation à proximité immédiate de surfaces de cuisson, où l'enceinte peut être exposée directement à des huiles de cuisson, comme par exemple dans une cuisine en milieu professionnel, peut réduire les performances ou compromettre le fonctionnement de l'enceinte.

Préparation de la dalle acoustique de plafond

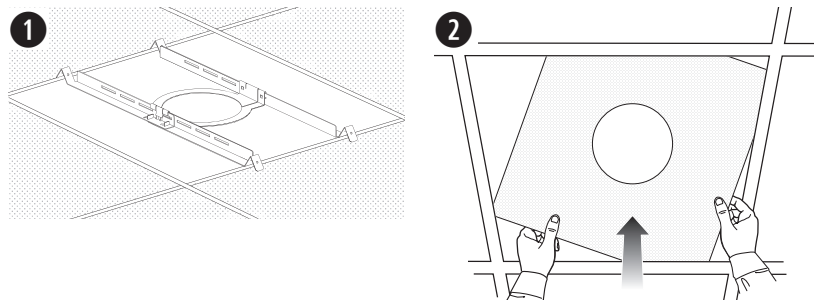
Découpe de la dalle du plafond

1. Retirez la dalle et utilisez le gabarit pour tracer le contour d'une enceinte sur la dalle. Pour centrer le gabarit sur la dalle, dessinez une croix (X) en reliant les angles en diagonale, et centrez le gabarit au point d'intersection.
2. Découpez une ouverture dans la dalle.



Installation de la plaque de renfort pour plafond à dalles

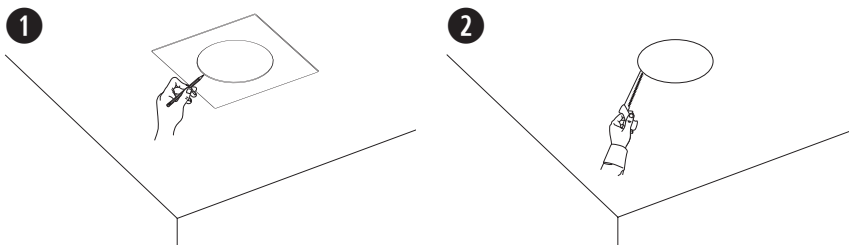
1. Placez la plaque de renfort sur l'ossature du plafond. Si nécessaire, ajustez la plaque de renfort de sorte que les bras reposent sur l'ossature.
2. Remettez en place la dalle au plafond.



Préparation du plafond dur (construction existante)

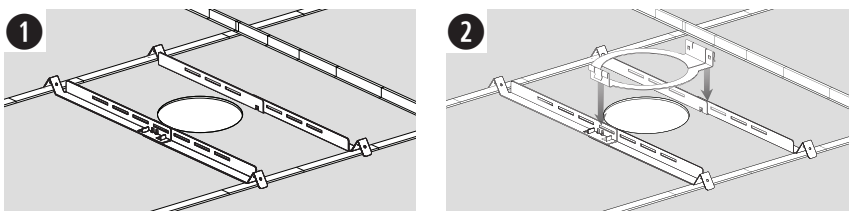
Découpe du plafond

1. Utilisez le gabarit pour tracer une ouverture sur le plafond.
2. Découpez une ouverture dans le plafond.



Installation de la plaque de renfort pour plafond à dalles

1. Insérez les bras de la plaque de renfort et l'anneau dans l'ouverture et placez les bras de façon parallèle sur l'ossature du plafond ou la fourrure.
2. Assemblez la plaque de renfort.

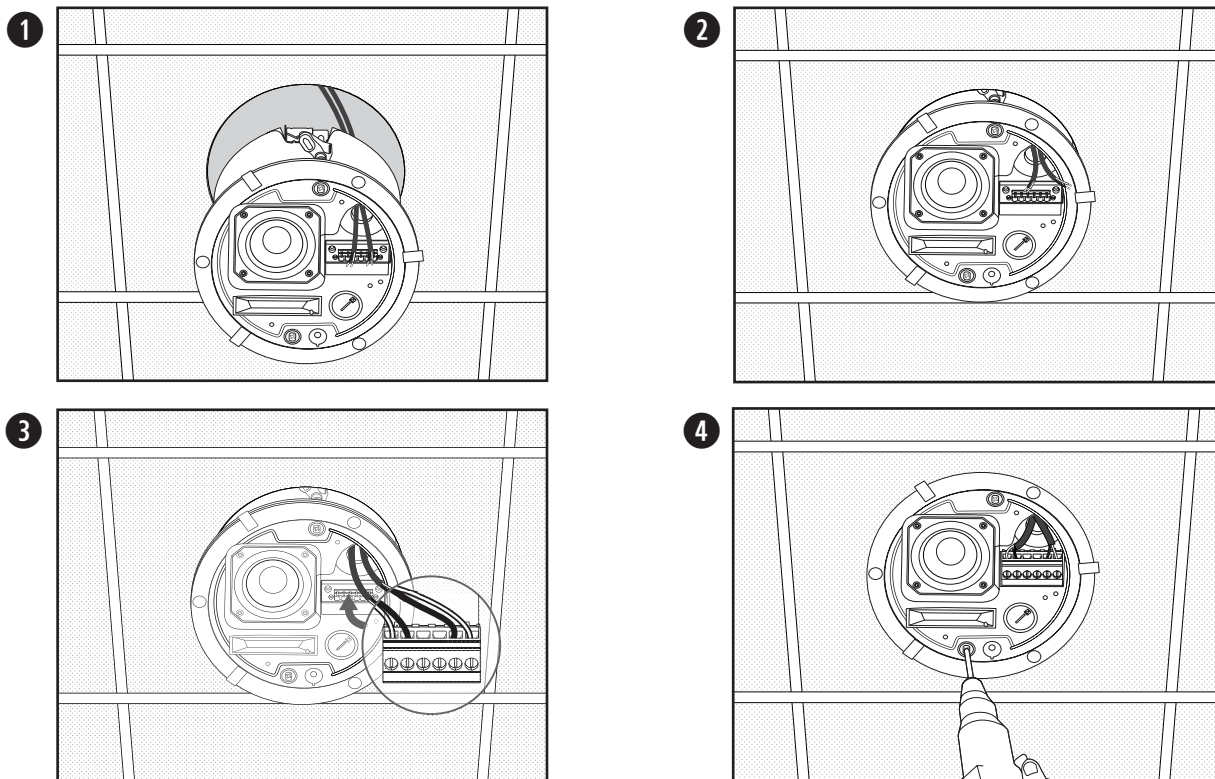


Montage de l'enceinte

1. Faites passer le câble audio par l'ouverture de passage.
2. Insérez l'enceinte dans l'ouverture et à l'intérieur de la plaque de renfort. Vérifiez que les fixations de l'enceinte sont engagées dans la plaque de renfort avant de relâcher votre prise sur l'enceinte.
3. Retirez le connecteur, raccordez le connecteur, puis insérez à nouveau le connecteur dans l'enceinte. Consultez la section **Câblage de l'enceinte** à la page 19 pour plus d'informations sur le câblage.
4. Serrez les vis des bras de fixation pour fixer l'enceinte. Si vous utilisez une visseuse électrique, réglez-la sur un couple faible.



AVERTISSEMENT : un serrage excessif des vis peut endommager les points de fixation ou le plafond, ce qui pourrait créer un risque de chute.

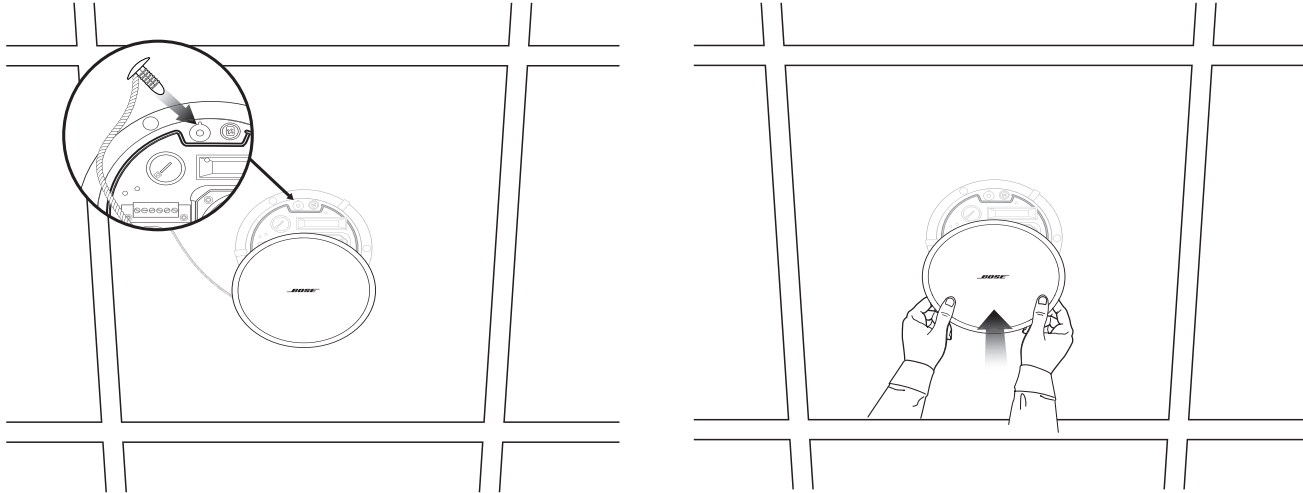


Installation dans un plafond dur avec plaque de montage (nouvelle construction)

Pour plus d'informations sur l'installation d'une plaque de montage, consultez le guide d'installation de la plaque de montage DesignMax à l'adresse PRO.BOSE.COM. Une fois la plaque de montage installée, consultez la section **Montage de l'enceinte** en page 21.

Pose de la grille

Insérez la broche du cordon de sécurité dans l'orifice de l'enceinte. En utilisant les deux mains, positionnez la grille sur l'enceinte. La grille à fixation aimantée adhère à l'enceinte.



Conformité aux réglementations et aux normes de sécurité en vigueur

L'enceinte Bose DesignMax DM2C-LP a subi avec succès une phase complète de tests et elle est conforme aux spécifications et utilisations suivantes :

Conformes à la norme ANSI/UL 1480A-2016, Enceintes destinées à un usage professionnel (sécurité) et commercial
Utilisation générale, catégorie UL UEAY, dossier S 5591, numéro de contrôle 3N89

UL-2043, 2013, Essai de réaction au feu et dégagement de fumée visible pour les produits autonomes et leurs accessoires installés dans des emplacements ventilés. Convient à une utilisation dans des emplacements ventilés (plenum).

Convient à une installation suivant les méthodes de câblage de classe 1, 2 ou 3 selon la norme NFPA 70, National Electrical Code, 2017, Article 640

NFPA 70, National Electrical Code, 2017, Article 300-22(c)

NFPA 90-A, 2015, Installation de systèmes de climatisation et de ventilation, Paragraphe 4.3.11.2.6.5

L'enceinte DesignMax DM2C-LP a été conçue en conformité avec les exigences définies dans les spécifications réglementaires européennes suivantes relatives aux systèmes utilisés en combinaison :

Testée conforme à la norme CEI 60268-5, 2007

Bitte lesen Sie alle Sicherheitshinweise und Gebrauchsanleitungen durch und bewahren Sie sie auf.

Dieses Produkt darf nur von fachkundigen Monteuren installiert werden! Dieses Dokument soll fachkundigen Monteuren grundlegende Installations- und Sicherheitsrichtlinien für dieses Produkt in typischen Festinstallationen bieten. Bitte lesen Sie dieses Dokument und alle Sicherheitshinweise vor der Installation durch.

Versuchen Sie nicht, dieses Produkt selbst zu warten. Lassen Sie jegliche Reparatur- und Wartungsarbeiten nur von autorisierten Servicepartnern, Monteuren, Technikern, Händlern oder Distributoren durchführen. Die Bose Professional Kontaktdaten für Ihr Land finden Sie auf **PRO.BOSE.COM**.

1. Lesen Sie die folgenden Anweisungen.
2. Bewahren Sie die Anweisungen auf.
3. Beachten Sie alle Warn- und Sicherheitshinweise.
4. Befolgen Sie alle Anweisungen.
5. Verwenden Sie dieses Gerät nicht in der Nähe von Wasser.
6. Reinigen Sie das Gerät nur mit einem sauberen, trockenen Tuch.
7. Achten Sie darauf, dass die Lüftungsöffnungen nicht blockiert sind. Stellen Sie das Gerät nur in Übereinstimmung mit den Herstelleranweisungen auf.
8. Stellen Sie das Gerät nicht in der Nähe von Wärmequellen auf, wie zum Beispiel Heizkörpern, Wärmespeichern, Öfen oder anderen Geräten (auch Verstärkern), die Wärme erzeugen.
9. Verwenden Sie nur Zubehör-/Anbauteile, die vom Hersteller zugelassen sind.


WARNHINWEISE




Dieses Produkt enthält magnetische Materialien. Wenden Sie sich an Ihren Arzt, wenn Sie wissen möchten, ob dies den Betrieb Ihres implantierten medizinischen Geräts beeinflussen kann.

- Alle Produkte von Bose müssen gemäß den örtlichen und staatlichen Vorschriften sowie gemäß allen Branchenbestimmungen installiert werden. Der Monteur ist dafür verantwortlich, sicherzustellen, dass die Installation der Lautsprecher und der Halterung gemäß allen geltenden Vorschriften durchgeführt wird, einschließlich örtlicher Bauvorschriften und -bestimmungen. Wenden Sie sich vor der Installation dieses Produkts an die zuständige abnehmende Behörde.
- Eine nicht ausreichend gesicherte Montage schwerer Lasten oder deren Aufhängung über Kopf kann zu schweren oder tödlichen Verletzungen und Sachschäden führen. Der Monteur ist dafür verantwortlich, die Zuverlässigkeit der für die Anwendung verwendeten Befestigungstechniken zu prüfen. Nur fachkundige Monteure mit Wissen über sachgemäße Befestigungselemente und sichere Befestigungstechniken sollten Lautsprecher über Kopf installieren.
- Montieren Sie das Produkt nicht an Orten, an denen Kondenswasser auftreten kann.
- Dieses Produkt ist nicht für die Installation oder Verwendung in Feuchtbereichen (zum Beispiel Schwimmbädern, Wasserparks, Räumen mit Whirlpools, Saunas, Dampfbädern und Eislaufbahnen) gedacht.
- Bei der Montage ist auf eine tragfähige Oberfläche zu achten, in deren Nähe sich keine Einrichtungen wie strom- oder wasserführende Leitungen befinden. Wenden Sie sich im Zweifelsfall mit der Montage der Halterung an einen fachkundigen Monteur. Bei der Montage der Halterung ist auf die Einhaltung der örtlichen Bauvorschriften zu achten.
- Verwenden Sie für die Montage ausschließlich die im Lieferumfang enthaltenen oder von Bose für die Verwendung mit den DesignMax DM2C-LP Lautsprechern zugelassene Hardware und entsprechende Zubehörteile. Informationen zu kompatiblen Zubehörteilen finden Sie in den technischen Datenblättern auf **PRO.BOSE.COM**.
- Halten Sie das Produkt von Feuer und Wärmequellen fern. Stellen Sie keine brennenden Kerzen oder ähnliches auf das Gerät oder in die Nähe des Geräts.
- Nehmen Sie keine nicht genehmigten Änderungen an diesem Produkt vor.
- Verwenden Sie keine auf Kohlenwasserstoff basierenden Lösungsmittel, Schmiermittel oder Reinigungsmittel am oder in der Nähe dieses Lautsprechers oder während der Installation mit dem zugehörigen Montagematerial. Der Kontakt mit solchen Mitteln kann zu Rissen im Kunststoffmaterial und infolgedessen zum Herunterfallen führen.
- Die Lautsprecher nur mit einem weichen, trockenen Tuch reinigen. Verwenden Sie zur Reinigung niemals Seife, Spülmittel, Mineralöl, Alkohol oder sonstige Reinigungsmittel oder Chemikalien.
- Das Abdeckgitter verfügt über einen Sicherheitssperrbolzen mit Sicherheitsseil für den einmaligen Gebrauch.

Gesetzliche Hinweise



Dieses Produkt entspricht allen Anforderungen der geltenden EU-Richtlinien. Die vollständige Konformitätserklärung ist einsehbar unter: **www.Bose.com/compliance**.



Dieses Produkt erfüllt alle geltenden Vorschriften zur elektromagnetischen Verträglichkeit 2016 und alle anderen zutreffenden UK-Richtlinien. Die vollständige Konformitätserklärung ist einsehbar unter **www.Bose.com/compliance**



Dieses Symbol bedeutet, dass das Produkt nicht mit dem Hausmüll entsorgt werden darf, sondern bei einer geeigneten Sammelstelle für das Recycling abgegeben werden muss. Die ordnungsgemäße Entsorgung und das Recycling tragen dazu bei, die natürlichen Ressourcen, die Gesundheit und die Umwelt zu schützen. Weitere Informationen zur Entsorgung und zum Recycling dieses Produkts erhalten Sie von Ihrer zuständigen Kommune, Ihrem Entsorgungsdienst oder dem Geschäft, in dem Sie dieses Produkt gekauft haben.

Herstellungsdatum: Die achte Ziffer in der Seriennummer gibt das Herstellungsjahr an: „7“ ist 2007 oder 2017.

Importeur aus China: Bose Electronics (Shanghai) Company Limited, Part C, Plant 9, No. 353 North Ruying Road, China (Shanghai) Pilot Free Trade Zone

Importeur aus der EU: Bose Products B.V., Gorslaan 60, 1441 RG Purmerend, Niederlande

Importeur aus Mexiko: Bose de México, S. de R.L. de C.V., Paseo de las Palmas 405-204, Lomas de Chapultepec, 11000 México, D.F. Importeur- und Serviceinformationen erhalten Sie unter: +5255 (5202) 3545

Importeur aus Taiwan: Bose Taiwan Branch, 9F-A1, No. 10, Section 3, Minsheng East Road, Taipei City 104, Taiwan. Tel.: +886-2-2514 7676

UK-Import: Bose Limited, Bose House, Quayside Chatham Maritime, Chatham, Kent, ME4 4QZ, Vereinigtes Königreich

Bose und DesignMax sind Marken der Bose Corporation.

Hauptsitz der Bose Corporation: 1-877-230-5639

©2021 Bose Corporation. Dieses Dokument darf ohne vorherige schriftliche Genehmigung weder ganz noch teilweise reproduziert, verändert, vertrieben oder in anderer Weise verwendet werden.

Garantiehinweise

Für dieses Produkt gilt eine eingeschränkte Garantie. Informationen zur Gewährleistung finden Sie unter **PRO.BOSE.COM**.

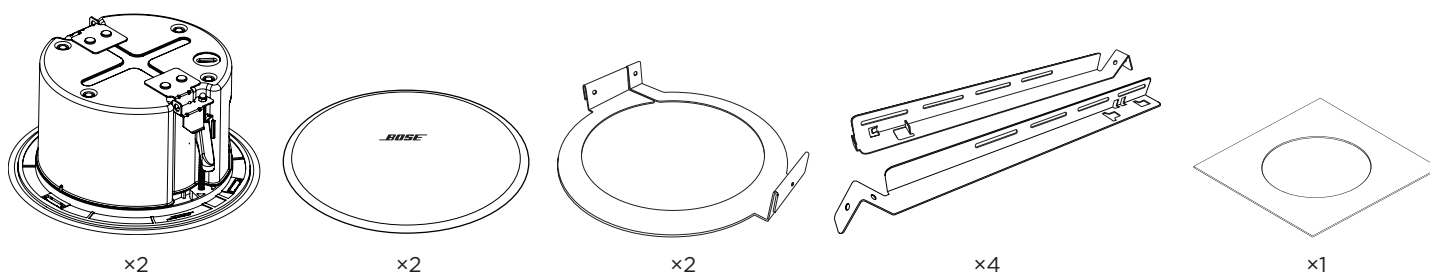
Leistungsdaten:

Eingangsspannung: 70 V/100 V

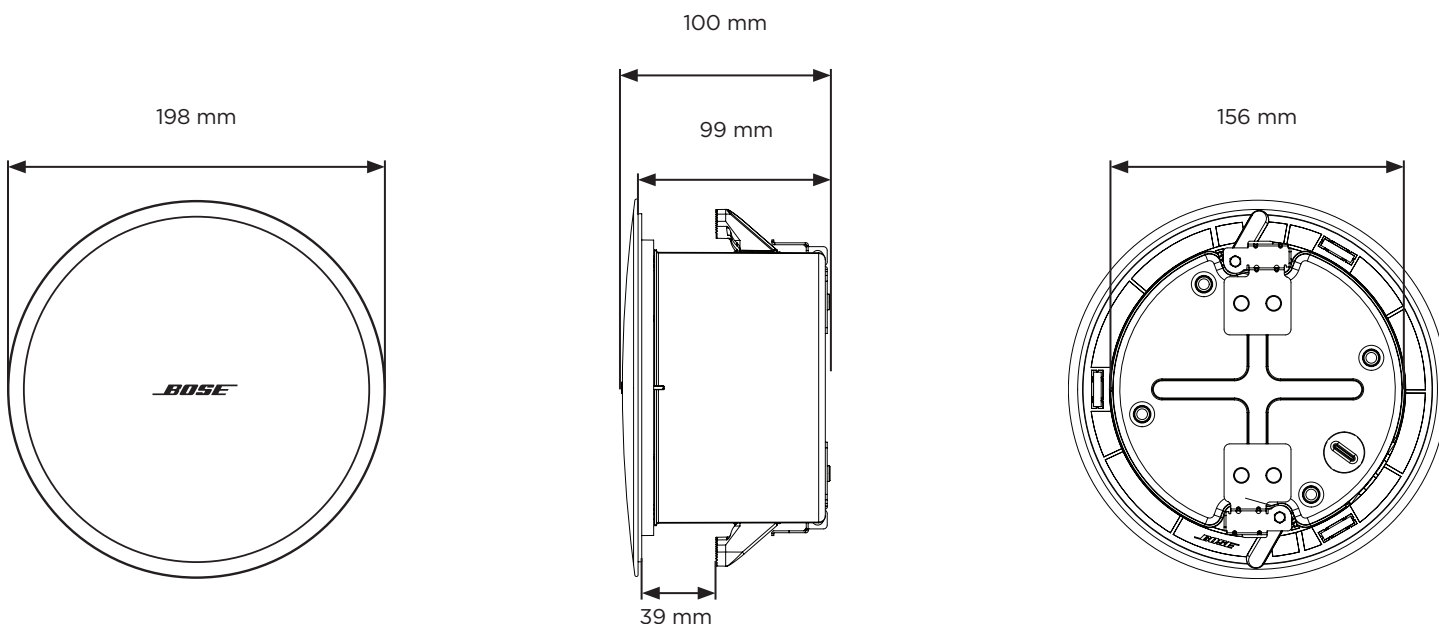
Impedanz: 16 Ω, 16 W

Nennleistung: (70 V): 1,2 W, 2,3 W, 4,5 W, 9 W; (100 V): 2,3 W, 4,5 W, 9 W

Verpackungsinhalt



Produktabmessungen



Technische Spezifikationen

Weitere technische Spezifikationen können Sie dem technischen Datenblatt für den DesignMax DM2C-LP auf PRO.BOSE.COM entnehmen.

Material, Abmessungen, Gewicht	
Produktabmessungen	Durchmesser Abdeckgitter: 198 mm
	Gehäusedurchmesser: 156 mm
	Tiefe Rückwand: 99 mm
Deckenausschnitt	165 mm
Maximale Deckenstärke	39 mm
Nettogewicht - Lautsprecher und Abdeckgitter (1 Stück)	1,63 kg
Nettogewicht - Tile Bridge (1 Stück)	0,72 kg
Versandgewicht (2 Stück)	5,99 kg

Wichtige Installationshinweise



Der Monteur ist dafür verantwortlich, sicherzustellen, dass die Installation der Lautsprecher und der Halterung gemäß allen geltenden Vorschriften durchgeführt wird, einschließlich örtlicher Bauvorschriften und -bestimmungen. Wenden Sie sich vor der Installation dieses Produkts an die zuständige abnehmende Behörde.

Die Gewährleistung der Sicherheit der Lautsprechermontage obliegt demjenigen, der den Lautsprecher anbringt. Die fehlerhafte Montage des Lautsprechers kann zu Sach- und Personenschäden bis hin zur Todesfolge führen.

Montieren Sie das Produkt nicht an Orten, an denen Kondenswasser auftreten kann.



Dieses Produkt ist nicht für die Installation oder Verwendung in Feuchtbereichen (zum Beispiel Schwimmbädern, Wasserparks, Räumen mit Whirlpools, Saunas, Dampfbädern und Eislaufbahnen) gedacht.

Bei der Montage ist auf eine tragfähige Oberfläche zu achten, in deren Nähe sich keine Einrichtungen wie strom- oder wasserführende Leitungen befinden. Wenden Sie sich im Zweifelsfall mit der Montage der Halterung an einen fachkundigen Monteur. Bei der Montage der Halterung ist auf die Einhaltung der örtlichen Bauvorschriften zu achten.

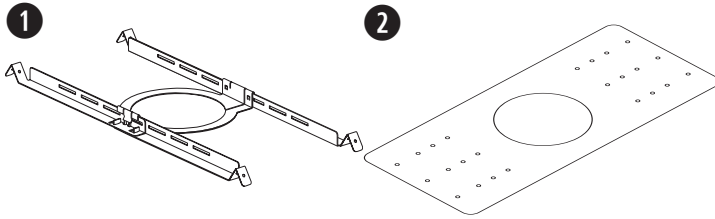


Verwenden Sie keine auf Kohlenwasserstoff basierenden Lösungsmittel, Schmiermittel oder Reinigungsmittel am oder in der Nähe dieses Lautsprechers oder während der Installation mit dem zugehörigen Montagematerial. Der Kontakt mit solchen Mitteln kann zu Rissen im Kunststoffmaterial und infolgedessen zum Herunterfallen führen.

Installationsoptionen

Installationsoptionen und Montagezubehör

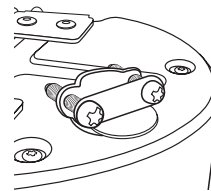
- ❶ Einstellbare Tile Bridge (im Lieferumfang enthalten)
- ❷ Rough-in-Pan-Montageplatte (optional erhältlich)



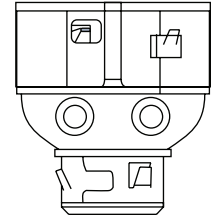
Kabelverschraubung (Zugentlastung)

Bei Verwendung eines Kabelschutzrohres aus Metall ist eine einzelne $\frac{3}{8}$ -Zoll-Kabelverschraubung oder ein $\frac{3}{8}$ -Zoll-Duplex-Anschluss zu verwenden.

Hinweis: Kabelverschraubungen sind nicht im Lieferumfang enthalten.



$\frac{3}{8}$ Zoll-
Einzelanschluss



$\frac{3}{8}$ Zoll Duplex-Anschluss/
Schleife

Auswahl einer Installationsmethode

❶ Oberer Anschluss

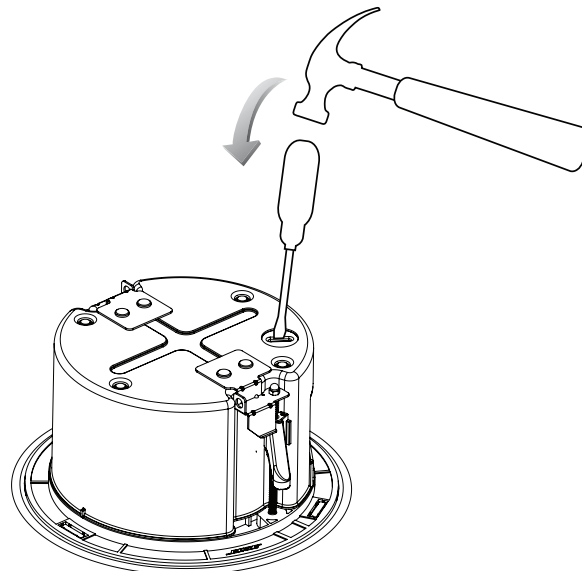
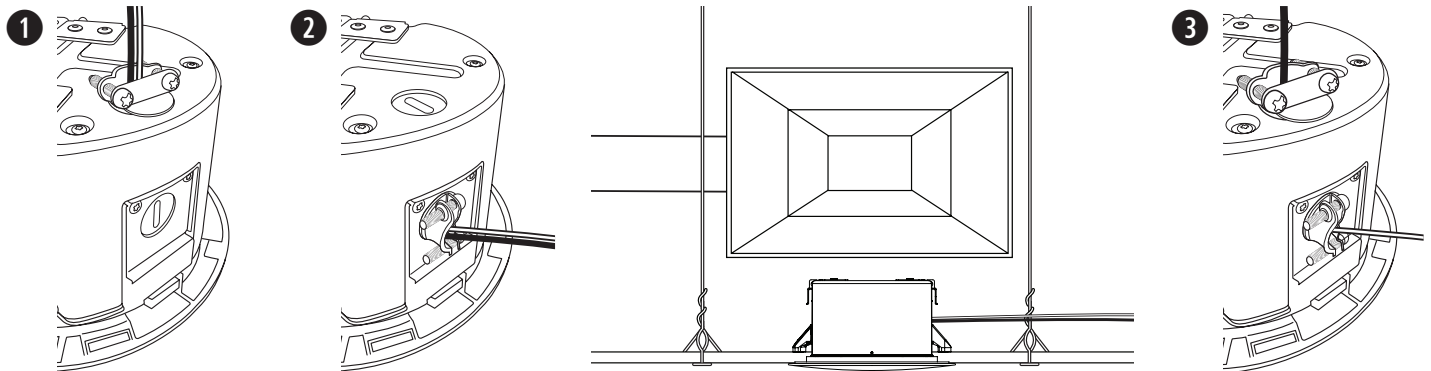
Verwenden Sie den oberen Anschluss, wenn ausreichend Platz über der abgehängten Decke ist.

❷ Seitlicher Anschluss

Verwenden Sie den seitlichen Anschluss, wenn der Platz über der abgehängten Decke knapp bemessen ist.

❸ Beide Anschlüsse

Verwenden Sie beide Anschlüsse, wenn eine separate Zuführung für die Signalein- und -ausgänge erforderlich und über der Decke noch Platz vorhanden ist.



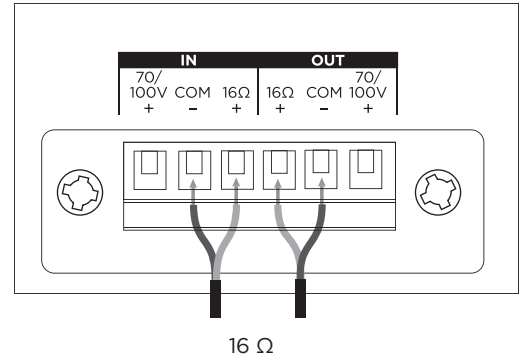
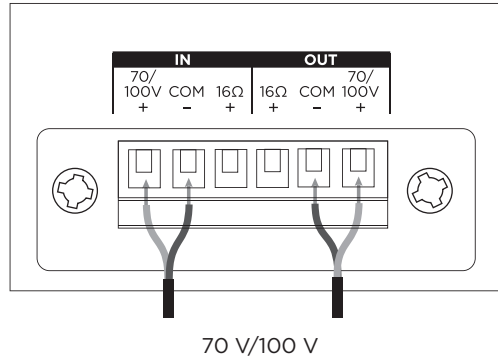
Verkabeln des Lautsprechers

Kabeldurchmesser

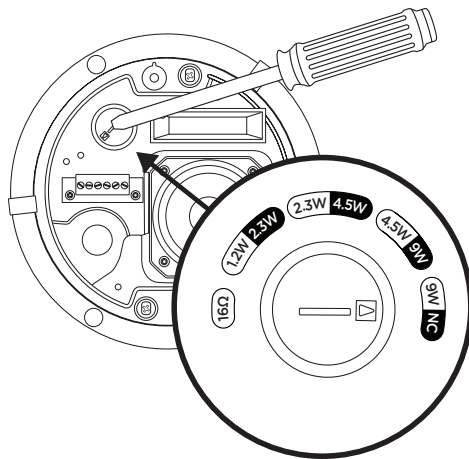
Der DesignMax DM2C-LP Lautsprecher wurde für den ausschließlichen Gebrauch mit Kabeln der Größen 18 AWG (0,8 mm²) bis 14 AWG (2,1 mm²) entwickelt.

Anschlussdiagramme

Isolieren Sie einen Teil des Drahtes (6 mm) für den Anschluss an die Anschlüsse ab.



Lautsprechereinstellungen



70 V				16 Ω
1,2 W	2,3 W	4,5 W	9 W*	
2,3 W	4,5 W	9 W	KA**	
100 V				

* Werkseinstellung

** KA: Kein Anschluss (nicht verwenden)

Einstellen des Leistungsabgriffes am Übertrager

Stellen Sie die Leistungsabgabe durch Drehen ein. Verwenden Sie dafür einen Schlitzschraubendreher.

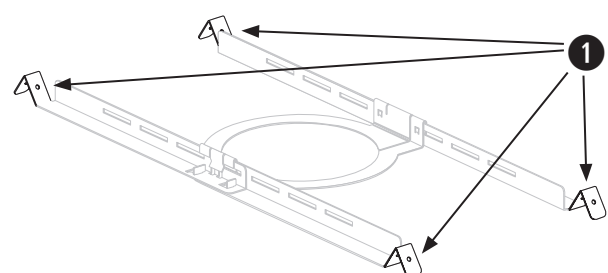
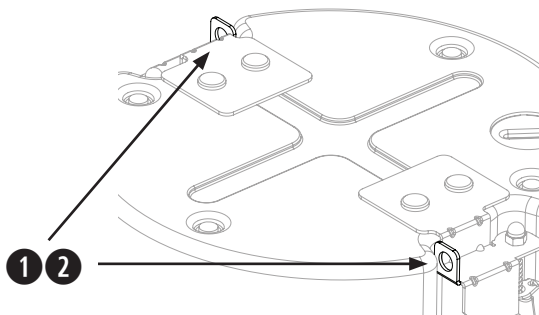
Vorbereitung der Montage

Verwendung eines Sicherungsseils

Einige Bauvorschriften schreiben als Sicherheitsvorkehrung vor, den Lautsprecher an einer tragenden Konstruktion zusätzlich abzusichern. Wählen Sie eine Montageposition und -methode sowie Werkzeuge, die den örtlichen Bauvorschriften entsprechen.

Bose empfiehlt die Verwendung (1) eines Sicherungsdrahtes oder (2) eines Sicherungsseils zur zusätzlichen Absicherung der Konstruktion. Befestigungspunkte für Sicherheitsaufhängungen können Sie den untenstehenden Diagrammen entnehmen.

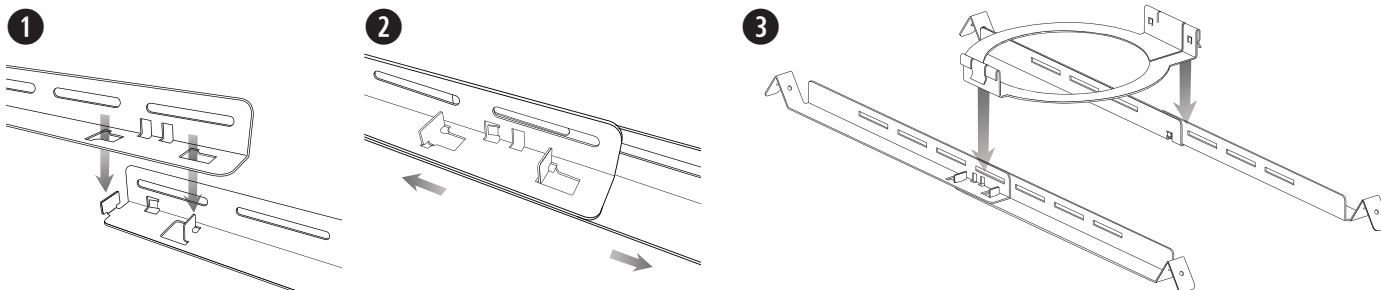
Befolgen Sie bei der Montage zusätzlicher Sicherheitsaufhängungen die Anweisungen des Herstellers.



Montage der Tile Bridge

Hinweis: Beim Einbau in eine durchgängig feste Decke erfolgt die Montage der Tile Bridge nach dem Einführen der Schienen und des Rings durch die Aussparung für den Lautsprecher (siehe Seite 28).

1. Richten Sie die Schienen aus und passen Sie die Laschen in die Aussparungen ein.
2. Ziehen Sie die Schienen nach außen, um sie zu befestigen.
3. Richten Sie die Schienen parallel zueinander aus und drücken Sie den Ring der Tile Bridge abwärts, um den Ring an den Schienen zu befestigen.

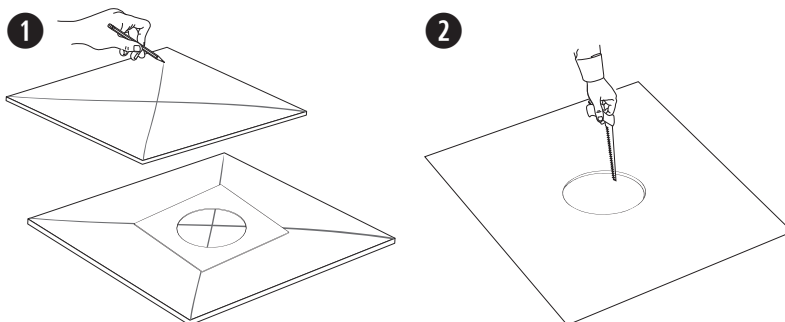


Hinweis: Eine Installation in unmittelbarer Nähe einer Kochstelle, wo der Lautsprecher Speiseöl ausgesetzt ist (wie z. B. in gewerblichen Räumlichkeiten mit Kochstellen), kann die Leistung oder Funktionen des Lautspechers beeinträchtigen.

Vorbereitung einer akustischen Deckenplatte

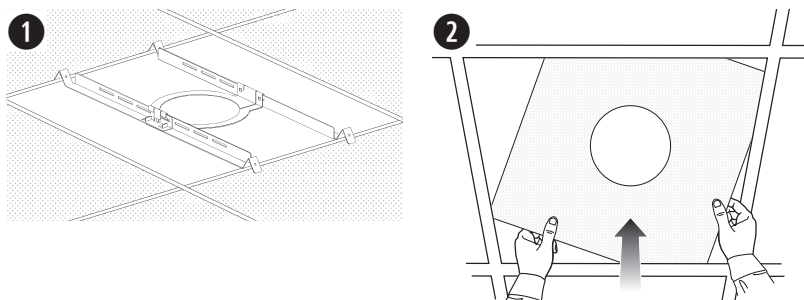
Zuschneiden der Deckenplatte

1. Entfernen Sie die Deckenplatte und zeichnen Sie unter Verwendung der Schablone den Ausschnitt für den Lautsprecher auf die Platte. Um die Schablone mittig aufzulegen, verbinden Sie zunächst die Eckpunkte der Platte zu einem „X“ und richten Sie anschließend die Schablone anhand des Schnittpunkts aus.
2. Schneiden Sie den Ausschnitt in die Platte.



Installieren der Tile Bridge

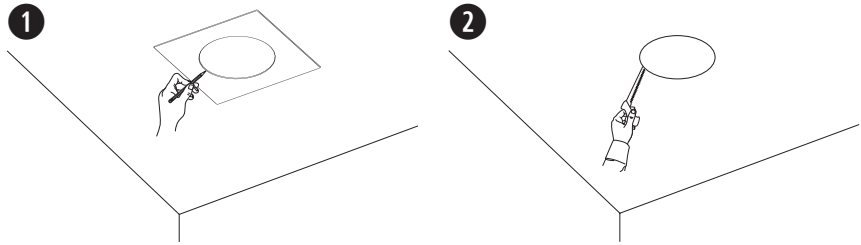
1. Setzen Sie die Tile Bridge in die Unterdeckenkonstruktion ein. Passen Sie gegebenenfalls die Länge der Tile Bridge-Ausleger an, um ein Aufliegen zu gewährleisten.
2. Setzen Sie die Deckenplatte wieder ein.



Vorbereitung von durchgängig festen Decken (bestehende Konstruktion)

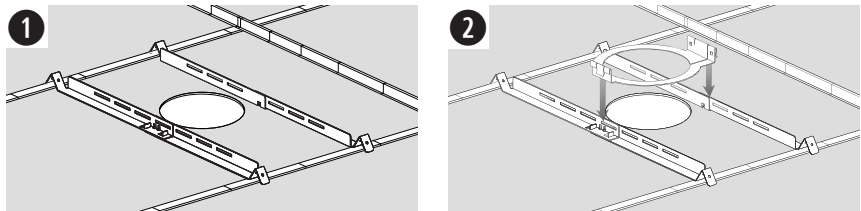
Zuschneiden der Deckenplatte

1. Verwenden Sie die Schablone, um den Ausschnitt auf der Platte aufzuzeichnen.
2. Schneiden Sie die Öffnung in die Platte.



Installieren der Tile Bridge

1. Führen Sie die Tile Bridge-Schienen und den Ring durch die Aussparung und positionieren Sie die Schienen parallel zueinander im Deckenraster oder in der Lattung.
2. Montage der Tile Bridge

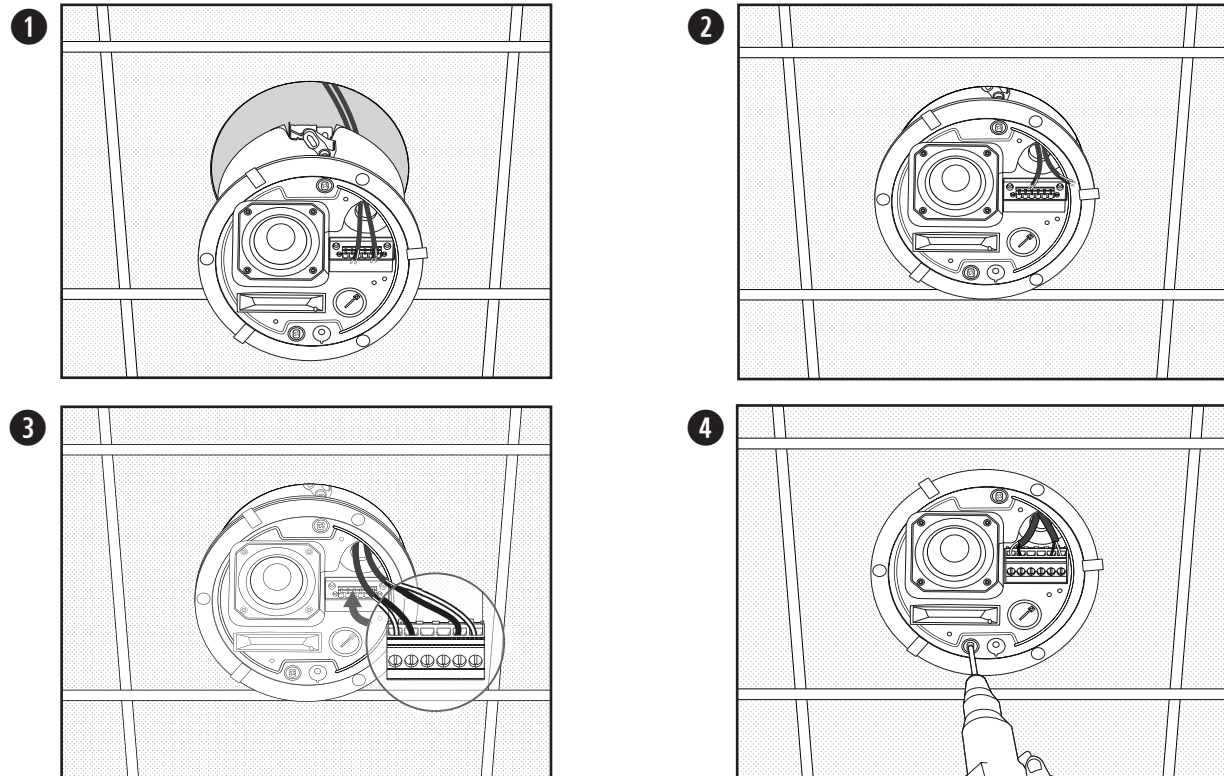


Befestigung des Lautsprechers

1. Führen Sie das Audiokabel durch die Kabelaussparung.
2. Führen Sie den Lautsprecher in die Tile Bridge ein. Stellen Sie sicher, dass die Verankerungen an der Tile Bridge einrasten, bevor Sie den Lautsprecher loslassen.
3. Entfernen Sie den Anschlussstecker, verkabeln Sie ihn und setzen Sie ihn wieder in den Lautsprecher ein. Weitere Informationen zur Verkabelung finden Sie unter **Verkabeln des Lautsprechers** auf Seite 26.
4. Ziehen Sie die Halterungsschrauben fest, um den Lautsprecher zu fixieren. Wenn Sie einen Akkuschauber verwenden, stellen Sie eine niedrige Drehmomentstufe ein.



WICHTIGER HINWEIS: Ein Überdrehen der Schrauben kann die Stabilität des Verankerungspunkts oder der Decke beeinträchtigen und möglicherweise zum Herunterfallen führen.

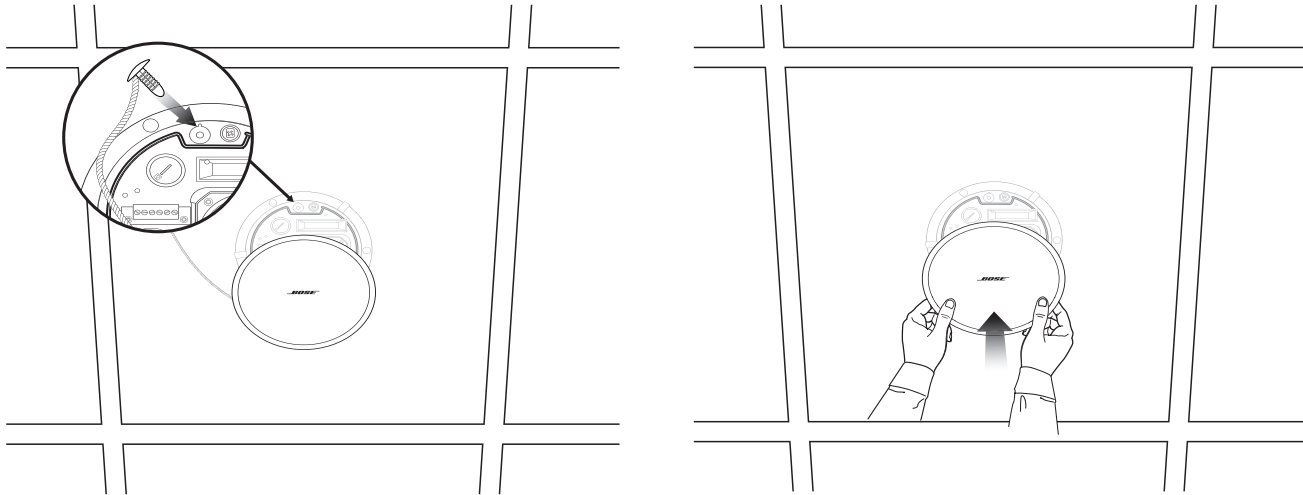


Installation in durchgängig festen Decken mithilfe einer Rough-in-Pan-Montageplatte (Neubauten)

Informationen zum Installieren einer Rough-in-Pan-Montageplatte finden Sie in der entsprechenden DesignMax Anleitung unter **PRO.BOSE.COM**. Befolgen Sie nach der Installation der Rough-in-Pan-Montageplatte die Anleitung unter **Befestigung des Lautsprechers** auf Seite 28.

Anbringen der Frontabdeckung

Führen Sie den Sicherheitssperrbolzen in das dafür vorgesehene Loch des Lautsprechers. Platzieren Sie das Abdeckgitter mit beiden Händen auf dem Lautsprecher. Das Abdeckgitter haftet magnetisch am Lautsprecher.



Sicherheitshinweise und gesetzliche Bestimmungen

Der Bose DesignMax DM2C-LP Lautsprecher hat die Testreihen bestanden und entspricht den folgenden Normen und Einsatzanforderungen:

Zertifiziert gemäß ANSI/UL 1480A-2016, Speakers for Commercial & Professional Use

Allgemeine Gebrauchsfähigkeit - UL-Kategorie UEAY, Aktenzeichen S 5591 Kontrollnummer 3N89

UL-2043, 2013, Brandprüfung für die Abgabe von Wärme und sichtbarem Rauch durch Einzelprodukte und ihre Zubehörteile in Klimaräumen. Geeignet für den sicheren Gebrauch in abgehängte Decken.

Geeignet für die Installation mit Class 1, Class 2 und Class 3 Verkabelungsverfahren gemäß NFPA 70, National Electrical Code, 2017, Article 640

NFPA 70, National Electrical Code, 2017, Article 300-22(c)

NFPA 90-A, 2015, Installation of Air Conditioning and Ventilation Systems, Paragraph 4.3.11.2.6.5

Der DesignMax DM2C-LP Lautsprecher wurde gemäß den Anforderungen der folgenden EU-Norm für kombinierte Systeme entwickelt:

Getestet gemäß IEC60268-5, 2007


Leggere e conservare tutte le istruzioni per la sicurezza e per l'uso.

Questo prodotto deve essere installato esclusivamente da installatori professionisti.


Il presente documento ha lo scopo di fornire agli installatori professionisti le istruzioni di base per l'installazione e la sicurezza di questo prodotto in tipici sistemi da installazione fissa. Prima dell'installazione, leggere questo documento e le avvertenze sulla sicurezza.

Non tentare di riparare il prodotto autonomamente. Per tutti gli interventi di assistenza, rivolgersi ai centri assistenza, agli installatori, ai tecnici, ai rivenditori o ai distributori autorizzati. Per contattare Bose Professional o per trovare il rivenditore o distributore più vicino, visita **PRO.BOSE.COM**.


1. Leggere queste istruzioni.
2. Conservare queste istruzioni.
3. Prestare attenzione a tutte le avvertenze.
4. Seguire tutte le istruzioni.
5. Non utilizzare l'apparecchio in prossimità di acqua.
6. Per la pulizia utilizzare un semplice panno asciutto.
7. Non ostruire le aperture di ventilazione. Installare il prodotto in conformità con le istruzioni fornite dal produttore.
8. Non installare in prossimità di fonti di calore, quali termosifoni, radiatori, stufe o altri apparecchi (compresi gli amplificatori) che generino calore.
9. Utilizzare solo sistemi di fissaggio/accessori specificati dal produttore.



AVVISI/AVVERTENZE



Questo prodotto contiene materiale magnetico. Rivolgersi al proprio medico per eventuali domande sui possibili effetti del prodotto sui dispositivi medici impiantati nel corpo umano.



- Tutti i prodotti Bose devono essere installati in conformità con gli standard locali, statali, federali e di settore. È responsabilità dell'installatore assicurare che l'installazione dei diffusori e del sistema di montaggio venga eseguita in conformità con le normative vigenti, compresi i regolamenti edilizi locali. Prima di installare il prodotto, chiedere informazioni all'autorità locale preposta.
- L'installazione o la sospensione non sicura di carichi pesanti può causare gravi lesioni alle persone e danni materiali. È responsabilità dell'installatore valutare l'affidabilità del metodo di installazione utilizzato per l'applicazione specifica. Solo installatori professionisti esperti di tecniche di installazione sicura dell'hardware possono installare un diffusore in posizione sospesa.
- Non posizionare il prodotto in punti dove potrebbe formarsi condensa.
- Il prodotto non deve essere installato né utilizzato in aree di servizio o intrattenimento vicine all'acqua (ad es. piscine coperte, parchi acquatici al chiuso, sale con vasche riscaldate, saune, bagni turchi e piste di pattinaggio al chiuso).
- Non eseguire l'installazione su superfici non sufficientemente robuste o dietro le quali si nascondono elementi potenzialmente pericolosi, quali cavi elettrici o tubazioni idrauliche. In caso di dubbi durante l'installazione della staffa, contattare un installatore professionista. Verificare che la staffa sia installata in accordo ai parametri costruttivi locali.
- Utilizzare solo componenti e accessori forniti o specificati da Bose per l'uso con i diffusori DesignMax DM2C-LP. Per informazioni sugli accessori compatibili, consultare la scheda tecnica del prodotto all'indirizzo **PRO.BOSE.COM**.
- Tenere il prodotto lontano dal fuoco e da fonti di calore. Non collocare sorgenti di fiamme libere (ad esempio, candele accese) sull'apparecchio o in prossimità di esso.
- Non apportare alterazioni non autorizzate al prodotto.
- Non utilizzare solventi a base di idrocarburi, lubrificanti o detersivi di qualunque tipo sopra o intorno a questo diffusore e sui relativi componenti di montaggio durante l'installazione. L'esposizione a tali sostanze può danneggiare i materiali plastici e causare spaccature, con conseguenti rischi di caduta.
- Utilizzare esclusivamente un panno asciutto per pulire i diffusori. Non esporre il diffusore a saponi, detersivi, oli minerali o alcol, né ad altri detersivi o prodotti chimici.
- La griglia è dotata di un perno con cordino di sicurezza concepito per un solo uso.

Specifiche di prodotto

Tensione d'ingresso: 70 V/100 V


Impedenza: 16 Ω, 16 W

Corrente o potenza: (70 V): 1,2 W, 2,3 W, 4,5 W, 9 W; (100 V): 2,3 W, 4,5 W, 9 W

Informazioni sulle normative

CE Questo prodotto è conforme a tutti i requisiti pertinenti delle direttive UE. La dichiarazione di conformità completa è disponibile all'indirizzo: **www.Bose.com/compliance**.

UK CA Il presente prodotto è conforme a tutte le normative sulla compatibilità elettromagnetica del 2016 e a tutte le altre normative del Regno Unito applicabili. La dichiarazione di conformità completa è disponibile all'indirizzo: **www.Bose.com/compliance**

 Questo simbolo indica che il prodotto non deve essere smaltito con i rifiuti domestici, ma deve essere consegnato a una struttura di raccolta appropriata per il riciclaggio. Uno smaltimento e un riciclaggio corretti aiutano a preservare le risorse naturali, la salute e l'ambiente. Per ulteriori informazioni sullo smaltimento e sul riciclaggio di questo prodotto, rivolgersi alle autorità locali, al servizio di smaltimento dei rifiuti o al negozio presso il quale è stato acquistato.

Data di produzione: l'ottava cifra del numero di serie corrisponde all'anno di produzione; ad esempio "7" indica 2007 o 2017.

Importatore per la Cina: Bose Electronics (Shanghai) Company Limited, Part C, Plant 9, No. 353 North Ruying Road, China (Shanghai) Pilot Free Trade Zone

Importatore per l'UE: Bose Products B.V., Gorslaan 60, 1441 RG Purmerend, Paesi Bassi

Importatore per il Messico: Bose de México, S. de R.L. de C.V., Paseo de las Palmas 405-204, Lomas de Chapultepec, 11000 México, D.F. Per informazioni su importatori e servizi: +5255 (5202) 3545

Importatore per Taiwan: Bose Taiwan Branch, 9F-A1, No. 10, Section 3, Minsheng East Road, Taipei City 104, Taiwan. N. telefono: +886-2-2514 7676

Importatore per il Regno Unito: Bose Limited, Bose House, Quayside Chatham Maritime, Chatham, Kent, ME4 4QZ, Regno Unito

Bose e DesignMax sono marchi commerciali di Bose Corporation.

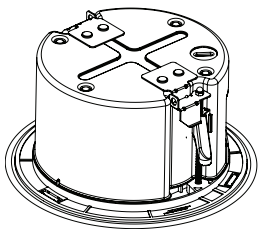
Sede principale di Bose Corporation: 1-877-230-5639

©2021 Bose Corporation. Nessuna parte di questo documento può essere riprodotta, modificata, distribuita o usata in altro modo senza previa autorizzazione scritta.

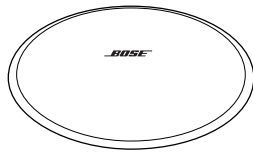
Informazioni sulla garanzia

Questo prodotto è coperto da una garanzia limitata. Per i dettagli sulla garanzia, visitare **PRO.BOSE.COM**.

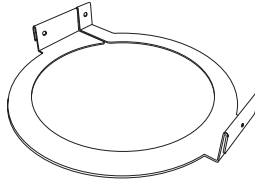
Contenuto della confezione



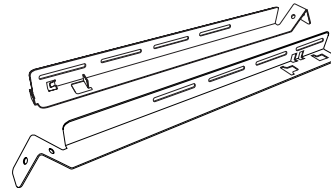
2 pz.



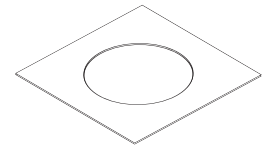
2 pz.



2 pz.

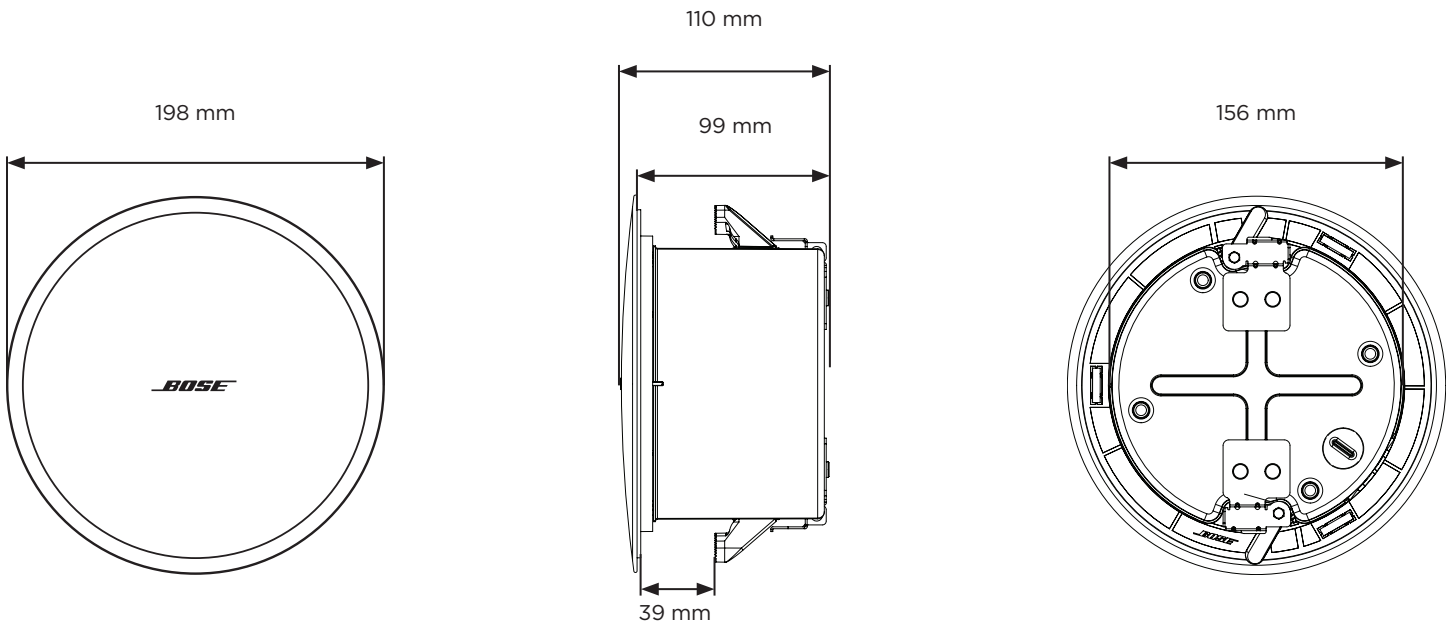


4 pz.



1 pz.

Dimensioni del prodotto



Specifiche tecniche

Per ulteriori specifiche, consultare la scheda tecnica del diffusore DesignMax DM2C-LP all'indirizzo PRO.BOSE.COM.

Caratteristiche fisiche	
Dimensioni del prodotto	Diametro griglia: 198 mm
	Diametro cabinet: 156 mm
	Profondità backcan: 99 mm
Dimensione del foro	165 mm
Spessore massimo del controsoffitto	39 mm
Peso netto del diffusore con griglia (singolo)	1,63 kg
Peso netto tile bridge (singolo)	0,72 kg
Peso di spedizione (coppia)	5,99 kg

Informazioni importanti sull'installazione



È responsabilità dell'installatore assicurare che l'installazione dei diffusori e del sistema di montaggio venga eseguita in conformità con le normative vigenti, compresi i regolamenti edilizi locali. Prima di installare il prodotto, chiedere informazioni all'autorità locale preposta.

È responsabilità dell'installatore garantire un'installazione sicura del diffusore. Un'installazione non corretta del diffusore può causare danni materiali e gravi lesioni alle persone.

Non posizionare il prodotto in punti dove potrebbe formarsi condensa.



Il prodotto non deve essere installato né utilizzato in aree di servizio o intrattenimento vicine all'acqua (ad es. piscine coperte, parchi acquatici al chiuso, sale con vasche riscaldate, saune, bagni turchi e piste di pattinaggio al chiuso).

Non eseguire l'installazione su superfici non sufficientemente robuste o dietro le quali si nascondono elementi potenzialmente pericolosi, quali cavi elettrici o tubazioni idrauliche. In caso di dubbi durante l'installazione della staffa, contattare un installatore professionista. Verificare che la staffa sia installata in accordo ai parametri costruttivi locali.

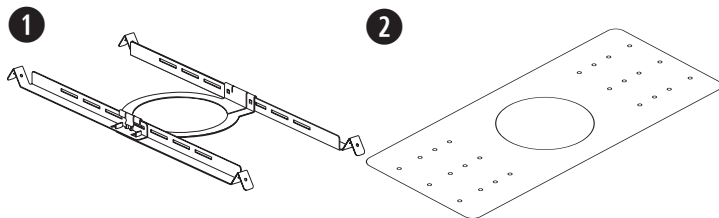


Non utilizzare solventi a base di idrocarburi, lubrificanti o detersivi di qualunque tipo sopra o intorno a questo diffusore e sui relativi componenti di montaggio durante l'installazione. L'esposizione a tali sostanze può danneggiare i materiali plastici e causare spaccature, con conseguenti rischi di caduta.

Opzioni di installazione

Opzioni ed accessori di installazione

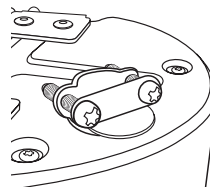
- ❶ Tile bridge regolabile (incluso)
- ❷ Rough-in pan (opzionale)



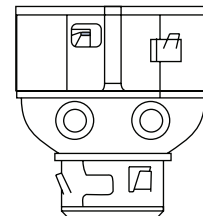
Raccordo del tubo protettivo

Se si utilizza un tubo protettivo metallico flessibile, usarlo con un raccordo da 9,5 mm o un connettore doppio (duplex) da 9,5 mm.

Nota: raccordi del tubo protettivo non in dotazione.



Ingresso singolo
da 9,5 mm



Ingresso duplex/ad anello
da 9,5 mm

Scelta di un metodo di installazione

❶ Passacavo superiore

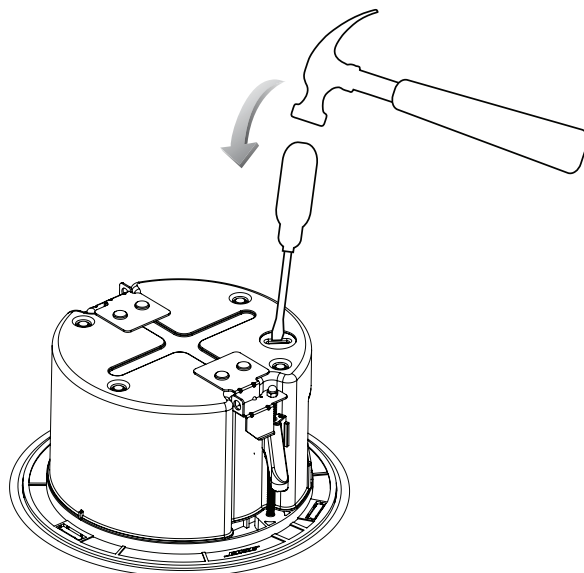
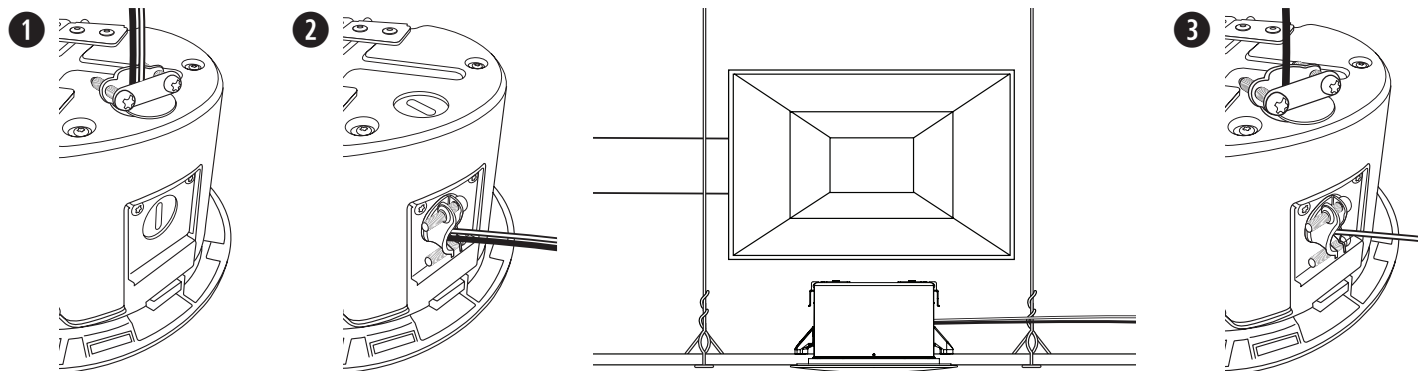
Utilizzare il passacavo superiore quando c'è spazio disponibile sopra il soffitto.

❷ Passacavo laterale

Utilizzare il passacavo laterale quando lo spazio sopra il soffitto è limitato.

❸ Entrambi i passacavi

Utilizzare entrambi i passacavi quando è richiesto uno schema di cablaggio di ingresso e uscita del segnale indipendente e c'è spazio disponibile sopra il soffitto.



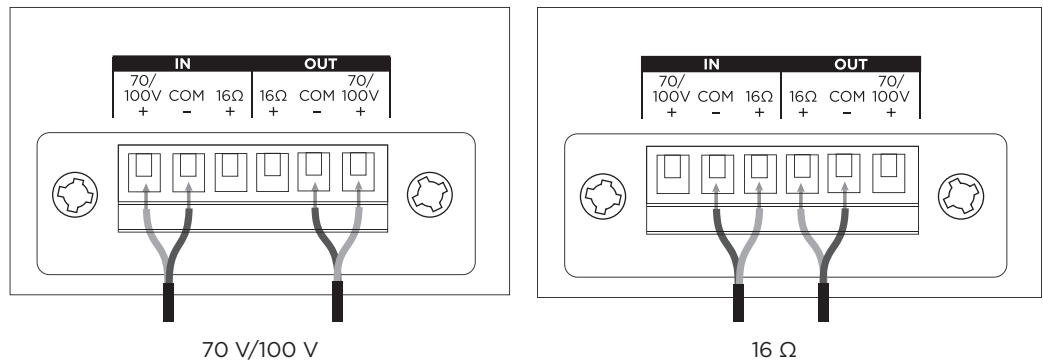
Cablaggio del diffusore

Diametro dei cablaggi

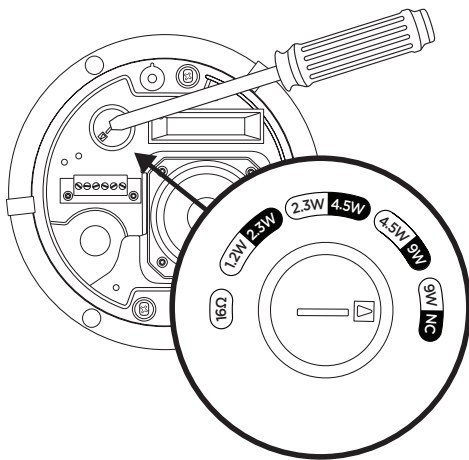
Il diffusore DesignMax DM2C-LP è concepito esclusivamente per l'impiego con cavi di dimensioni comprese tra 18 AWG (0,8 mm²) e 14 AWG (2,5 mm²).

Schemi di collegamento

Scoprire 6 mm di filo non rivestito da collegare ai terminali.



Impostazioni del diffusore



70 V				16 Ω
1,2 W	2,3 W	4,5 W	9 W*	
2,3 W	4,5 W	9 W	NC**	
100 V				

*Impostazioni di fabbrica **NC: nessuna connessione (non utilizzare)

Impostazione potenza del trasformatore

Selezionare la potenza ruotando il potenziometro tramite un cacciavite a testa piatta.

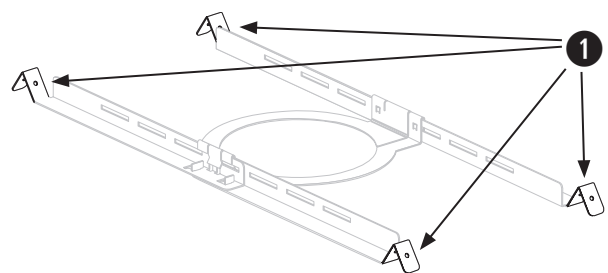
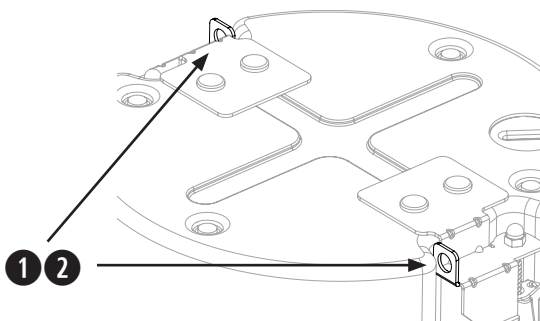
Preparazione dell'installazione

Uso di un cavo di sicurezza

Alcune normative edilizie regionali richiedono l'impiego di un secondo metodo di fissaggio dei diffusori alle strutture di supporto, allo scopo di garantire una maggior sicurezza. Scegliere posizione, metodo e accessori di fissaggio conformi alle normative edilizie locali.

Bose raccomanda l'utilizzo di (1) un cavo di frenatura o di (2) un cavo di sicurezza come meccanismo di fissaggio secondario. Vedere gli schemi riportati di seguito per i punti di fissaggio di sicurezza.

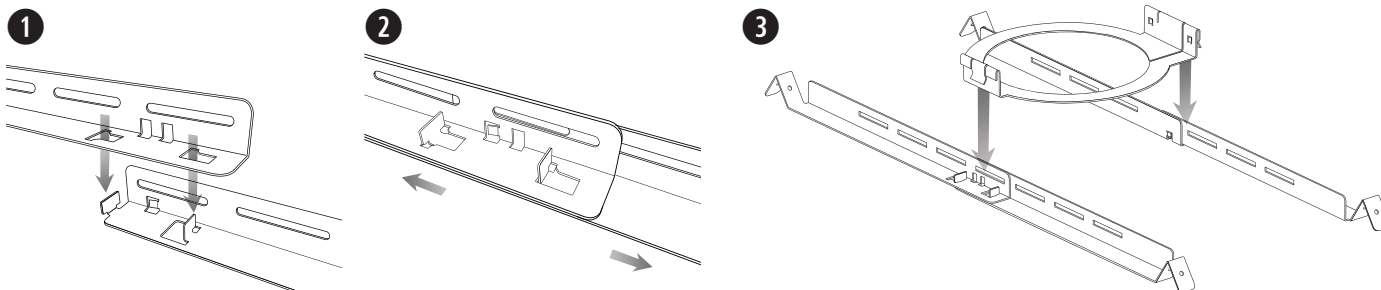
Attenersi alle istruzioni del produttore per qualsiasi meccanismo di fissaggio secondario utilizzato.



Assemblaggio del tile bridge

Nota: in caso di installazione su controsoffitto fisso assemblare il tile bridge dopo aver inserito le barre e l'anello nell'apertura del foro (vedere a pag. 35).

1. Allineare le barre ed inserire le linguette nelle scanalature.
2. Tirare le barre in direzione opposta per fissarle l'una all'altra.
3. Allineare le barre in modo che siano parallele l'una all'altra, quindi premere l'anello del tile bridge per fissarlo alle barre.

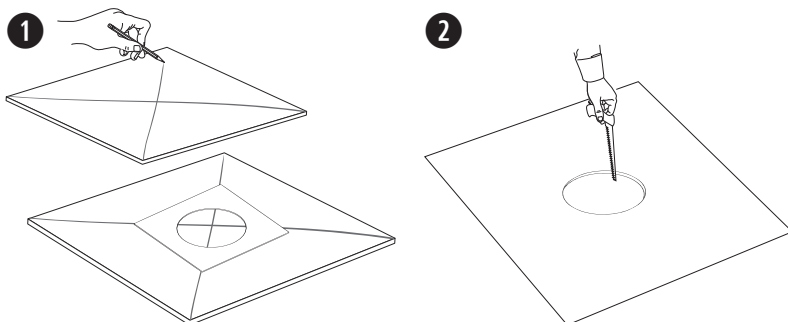


Nota: l'installazione in prossimità di piani di cottura dove il diffusore possa essere direttamente esposto a oli alimentari, come ad esempio in cucine commerciali, può ridurre le prestazioni o la funzionalità del diffusore.

Preparazione del pannello a soffitto

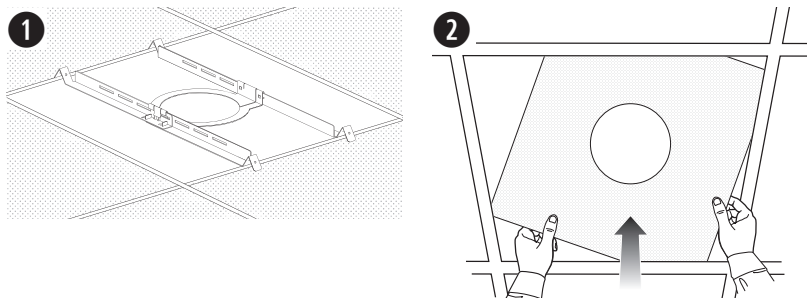
Taglio del pannello a soffitto

1. Rimuovere il pannello ed utilizzare la dima per tracciare il foro per il diffusore sul pannello stesso. Per centrare la dima rispetto al pannello, tracciare una X collegando gli angoli in diagonale e centrare il modello sul punto di intersezione.
2. Effettuare un foro nel pannello.



Installazione del tile bridge

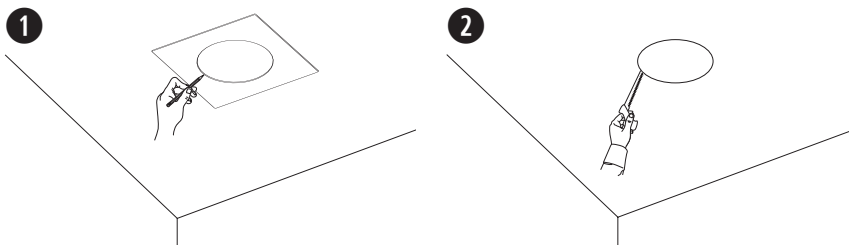
1. Posizionare il tile bridge assemblato lungo la griglia del soffitto. Se necessario, regolare le barre del tile bridge in modo che poggino sui montanti della griglia del soffitto.
2. Rimontare il pannello sul soffitto.



Preparazione in caso di controsoffitto fisso (struttura esistente)

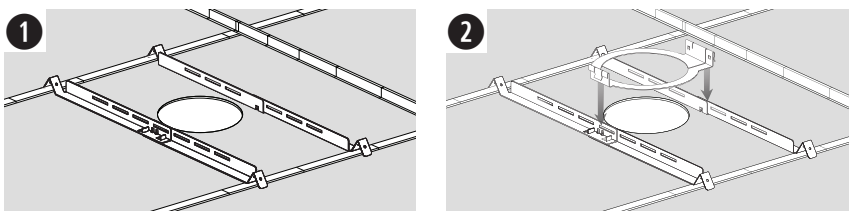
Taglio del soffitto

1. Utilizzare la dima per tracciare la forma del foro.
2. Effettuare un foro nel soffitto.



Installazione del tile bridge

1. Far passare le barre e l'anello del tile bridge attraverso il foro e posizionare le barre parallele l'una all'altra attraverso la griglia o il rivestimento del soffitto.
2. Assemblare il tile bridge.

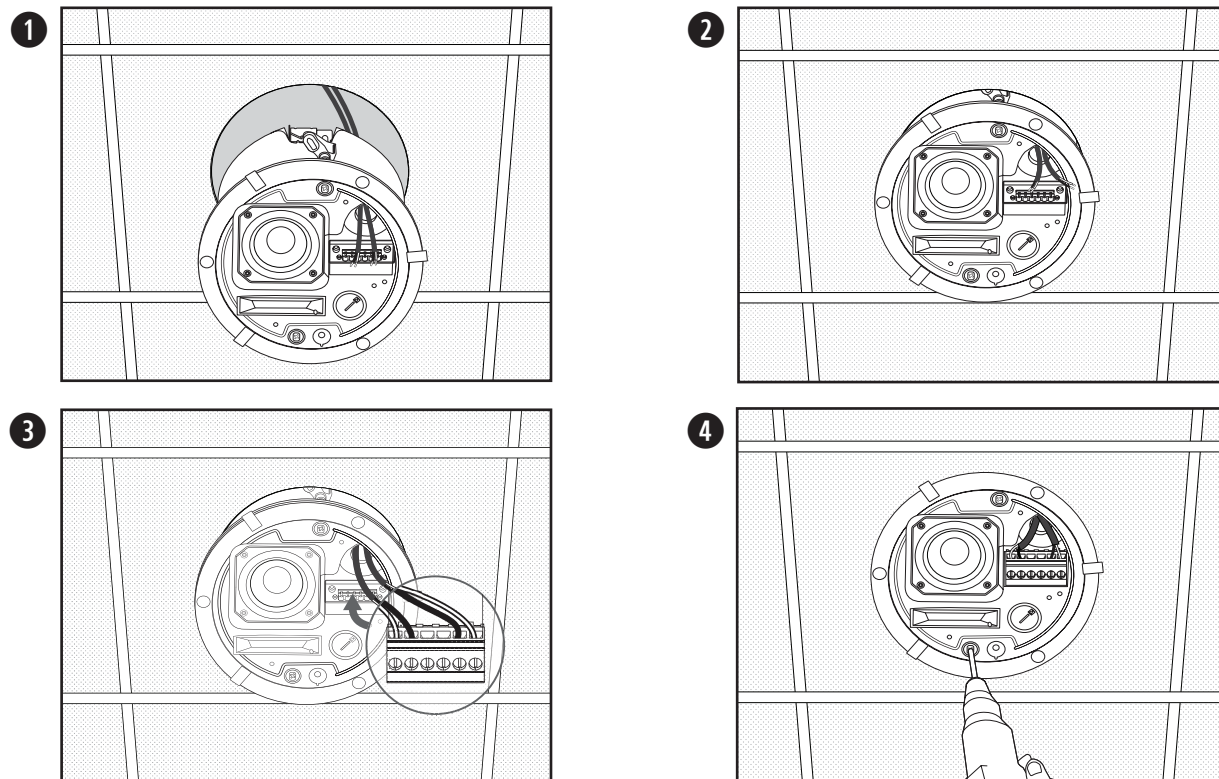


Installazione del diffusore

1. Far passare il cavo audio attraverso l'apposita apertura.
2. Far passare il diffusore attraverso il foro ed inserirlo nel tile bridge. Verificare che gli ancoraggi siano innestati sul tile bridge prima di allentare la presa sul diffusore.
3. Rimuovere il connettore, cablarlo e reinserirlo nel diffusore. Per informazioni sul cablaggio, vedere **Cablaggio del diffusore** a pag. 33.
4. Serrare le viti della staffa di ancoraggio per fissare il diffusore. Se si utilizza un avvitatore elettrico, impostare un basso valore di coppia.



AVVERTENZA: un serraggio eccessivo delle viti può danneggiare il punto di aggancio dell'elemento di ancoraggio o il soffitto, con conseguenti rischi di caduta.

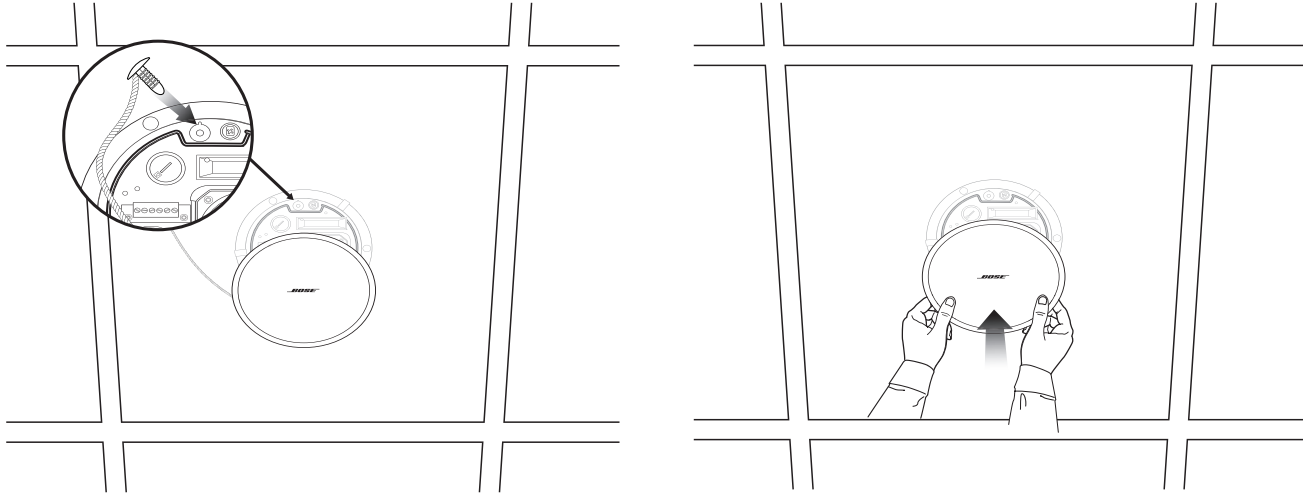


Installazione a controsoffitto fisso con rough-in pan (nuova costruzione)

Per informazioni sull'installazione del rough-in pan, vedere la guida all'installazione del rough-in pan DesignMax sul sito **PRO.BOSE.COM**. Una volta installato il rough-in pan, vedere **Montaggio del diffusore** a pag. 35.

Fissaggio della griglia

Inserire il perno per cordino di sicurezza nel foro del diffusore. Con entrambe le mani, posizionare la griglia contro il diffusore. La griglia si aggancia magneticamente al diffusore.



Conformità alle norme di sicurezza

Il diffusore Bose DesignMax DM2C-LP ha superato i test ai quali è stato sottoposto, risultando conforme alle specifiche e alle applicazioni indicate di seguito:

Conformi alle specifiche ANSI/UL 1480A-2016, Diffusori per uso professionale e commerciale e di sicurezza
Utilizzo generico - UL Categoria UEAY, Numero file S 5591 Numero controllo 3N89

UL-2043, 2013, Test antincendio e rilascio di fumo per prodotti e relativi accessori installati in controsoffitti sigillati. Adatti per l'uso in controsoffitti sigillati.

Adatti per l'installazione mediante metodi di cablaggio Classe 1, Classe 2 o Classe 3 in conformità a NFPA 70, National Electrical Code, 2017, Articolo 640

NFPA 70, National Electrical Code, 2017, Articolo 300-22(c)

NFPA 90-A, 2015, Installazione di sistemi di condizionamento dell'aria e ventilazione, Paragrafo 4.3.11.2.6.5

I diffusori DesignMax DM2C-LP sono stati progettati in conformità ai requisiti previsti dalle seguenti normative europee relative ai sistemi combinati:

Collaudato in conformità a IEC60268-5, 2007

Lees alle veiligheidsinstructies en de gebruiksaanwijzing door en bewaar deze.

Dit product is uitsluitend bestemd voor installatie door professionele installateurs! Dit document is bedoeld om professionele installateurs essentiële installatie- en veiligheidsrichtlijnen te bieden voor dit product in standaardssystemen voor vaste installatie. Lees dit document en alle veiligheidswaarschuwingen voordat u een systeem probeert te installeren.

Probeer dit product niet zelf te repareren. Neem voor alle onderhoud contact op met een geautoriseerd servicecenter, installateur, technicus, dealer of distributeur. Om contact op te nemen met Bose Professional en voor informatie over de dichtstbijzijnde dealer of distributeur, gaat u naar **PRO.BOSE.COM**.

1. Lees deze instructies door.
2. Bewaar deze instructies.
3. Neem alle waarschuwingen in acht.
4. Volg alle instructies.
5. Gebruik dit product niet in de buurt van water.
6. Alleen met een droge doek reinigen.
7. Zorg dat u de ventilatieopeningen niet blokkeert. Installeer het product volgens de instructies van de fabrikant.
8. Installeer het product niet in de buurt van warmtebronnen, zoals radiatoren, warmteroosters, kachels of andere apparaten (waaronder versterkers) die warmte produceren.
9. Gebruik uitsluitend aansluitonderdelen/accessoires die door de fabrikant worden gespecificeerd.



WAARSCHUWINGEN



Dit product bevat magnetisch materiaal. Raadpleeg uw arts om te vragen of dit invloed kan hebben op uw geïmplanteerde medische hulpmiddel.

- Alle Bose-producten moeten worden geïnstalleerd volgens de plaatselijke en landelijke voorschriften en industriënormen. Het is de verantwoordelijkheid van de installateur om ervoor te zorgen dat de installatie van de luidsprekers en het montagesysteem gebeurt met inachtneming van alle van toepassing zijnde voorschriften, waaronder plaatselijke bouwvoorschriften. Neem contact op met de juiste plaatselijke overheidsinstanties voordat u dit product installeert.
- Het onveilig monteren of ophangen van een zware last kan leiden tot beschadiging van uw eigendommen, ernstig letsel en overlijden. Het is de verantwoordelijkheid van de installateur om de betrouwbaarheid te evalueren van de gebruikte montagemethode. Alleen professionele installateurs met kennis van het juiste gereedschap en veilige montagetechnieken mogen luidsprekers hoog ophangen.
- Monteer het product niet op locaties waar condensatie kan optreden.
- Dit product is niet bedoeld voor installatie of gebruik in overdekte ruimten voor wateractiviteiten (waaronder overdekte zwembaden, overdekte waterparken, stoomruimten, sauna's, bubbelbadkamers en overdekte ijsbanen).
- Niet bevestigen aan oppervlakken die niet sterk zijn of die mogelijke risico's opleveren, bijvoorbeeld vanwege elektrische bedrading of waterleidingen. Als u niet zeker weet hoe de beugel moet worden bevestigd, raadpleegt u een bevoegde installateur. Zorg ervoor dat de beugel wordt bevestigd volgens de plaatselijke bouwvoorschriften.
- Gebruik alleen de hardware en accessoires die zijn meegeleverd of gespecificeerd door Bose voor gebruik met de DesignMax DM2C-LP luidsprekers. Raadpleeg voor informatie over compatibele accessoires het datasheet met technische gegevens op **PRO.BOSE.COM**.
- Houd het product uit de buurt van vuur en warmtebronnen. Plaats geen open vlam, zoals een brandende kaars, op of bij het product.
- Er mogen geen wijzigingen aan dit product worden aangebracht door onbevoegden.
- Gebruik bij de installatie geen oplosmiddelen, smeermiddelen of reinigingsmiddelen op koolwaterstofbasis op of rond de luidspreker en bijbehorende montage materialen. Blootstelling aan dergelijke stoffen kan nadelige gevolgen hebben voor het kunststof materiaal, wat kan leiden tot scheuren en een risico op vallen.
- Reinig de luidsprekers alleen met een droge doek. Stel de luidspreker niet bloot aan zeep, reinigingsmiddel, minerale olie, alcohol of andere reinigingsmiddelen of chemicaliën.
- De grille is voorzien van een veiligheidspin voor eenmalig gebruik.

Productvermogen:

Ingangsspanning: 70 V/100 V

Impedantie: 16 Ω, 16 W

Stroomsterkte: (70 V): 1,2 W, 2,3 W, 4,5 W, 9 W; (100 V): 2,3 W, 4,5 W, 9 W

Wettelijk verplichte informatie



Dit product voldoet aan alle vereisten van de van toepassing zijnde EU-richtlijnen. De volledige conformiteitsverklaring kunt u vinden op: **www.Bose.com/compliance**.



Dit product voldoet aan alle toepasselijke voorschriften in de Electromagnetic Compatibility Regulations 2016 en aan alle overige toepasselijke wet- en regelgeving van het Verenigd Koninkrijk. De volledige conformiteitsverklaring kunt u vinden op: **www.Bose.com/compliance**



Dit symbool betekent dat het product niet mag worden weggegooid als huishoudelijk afval en naar een geschikt inzamelpunt voor recycling moet worden gebracht. Het op de juiste wijze afvoeren en recyclen helpt natuurlijke hulpbronnen, de menselijke gezondheid en het milieu te beschermen. Voor meer informatie over het afvoeren en recyclen van dit product neemt u contact op met de gemeente waar u woont, de afvalverwerkingsdienst of de winkel waar u dit product hebt gekocht.

Fabricagedatum: Het achtste cijfer in het serienummer geeft het fabricagejaar aan. '7' is 2007 of 2017.

Importeur in China: Bose Electronics (Shanghai) Company Limited, Part C, Plant 9, No. 353 North Ruying Road, China (Shanghai) Pilot Free Trade Zone

Importeur in de EU: Bose Products B.V., Gorslaan 60, 1441 RG Purmerend, Nederland

Importeur in Mexico: Bose de México, S. de R.L. de C.V., Paseo de las Palmas 405-204, Lomas de Chapultepec, 11000 México, D.F. Gegevens importeur en service-informatie: +52 55 52 02 35 45

Importeur in Taiwan: Bose Taiwan Branch, 9F-A1, No.10, Section 3, Minsheng East Road, Taipei City 104, Taiwan. Telefoonnummer: +886 2 25 14 76 76

Importeur in het VK: Bose Limited, Bose House, Quayside Chatham Maritime, Chatham, Kent, ME4 4QZ, United Kingdom

Bose en DesignMax zijn handelsmerken van Bose Corporation.

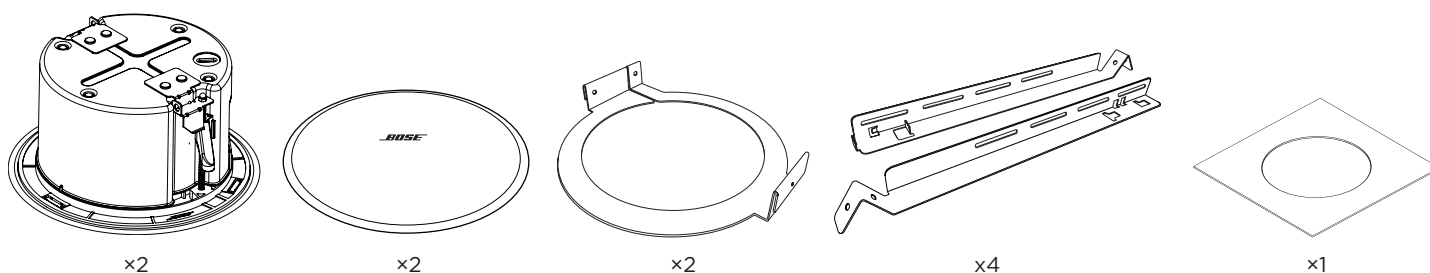
Hoofdkantoor Bose Corporation: 1 877 230 5639

©2021 Bose Corporation. Niets in deze uitgave mag worden gereproduceerd, gewijzigd, gedistribueerd of op andere wijze worden gebruikt zonder voorafgaande schriftelijke toestemming.

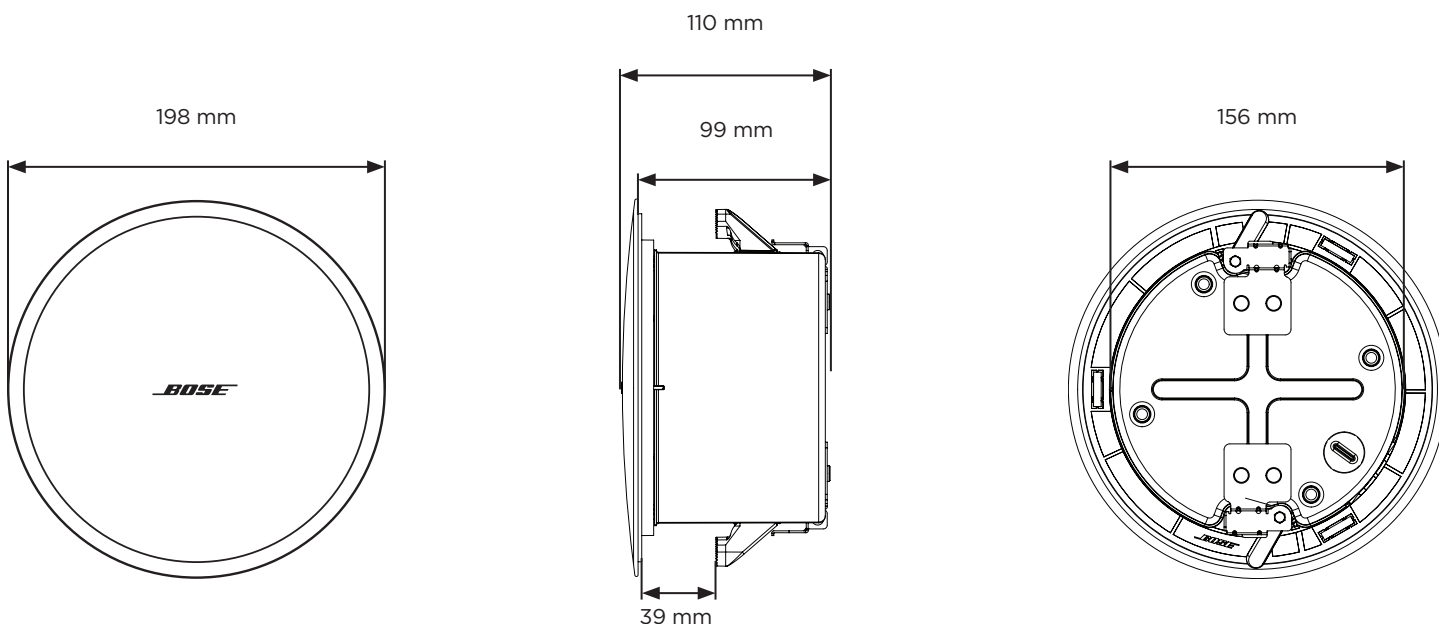
Garantie-informatie

Dit product wordt gedekt door een beperkte garantie.
Ga naar **PRO.BOSE.COM** voor garantie-informatie.

Inhoud van de doos



Afmetingen van het product



Technische specificaties

Raadpleeg voor aanvullende specificaties het datasheet met technische gegevens voor de DesignMax DM2C-LP op PRO.BOSE.COM.

Fysiek	
Afmetingen van het product	Diameter grille: 198 mm
	Diameter behuizing: 156 mm
	Diepte achtermantel: 99 mm
Uit te snijden gat	166 mm
Maximale dikte plafond	39 mm
Nettogewicht, luidspreker met grille (enkel)	1,63 kg
Nettogewicht tegelbrug (enkel)	0,72 kg
Verzendgewicht (paar)	5,99 kg

Belangrijke installatie-informatie



Het is de verantwoordelijkheid van de installateur om ervoor te zorgen dat de installatie van de luidsprekers en het montagesysteem gebeurt met inachtneming van alle van toepassing zijnde voorschriften, waaronder plaatselijke bouwvoorschriften. Neem contact op met de juiste plaatselijke overheidsinstanties voordat u dit product installeert.

Het is de verantwoordelijkheid van de installateur om de luidspreker veilig te installeren. Onjuiste installatie van de luidspreker kan leiden tot schade, letsel of een dodelijk ongeval.

Monteer het product niet op locaties waar condensatie kan optreden.



Dit product is niet bedoeld voor installatie of gebruik in overdekte ruimten voor wateractiviteiten (waaronder overdekte zwembaden, overdekte waterparken, stoomruimten, sauna's, bubbelbadkamers en overdekte ijsbanen).

Niet bevestigen aan oppervlakken die niet sterk zijn of die mogelijke risico's opleveren, bijvoorbeeld vanwege elektrische bedrading of waterleidingen. Als u niet zeker weet hoe de beugel moet worden bevestigd, raadpleegt u een bevoegde installateur. Zorg ervoor dat de beugel wordt bevestigd volgens de plaatselijke bouwvoorschriften.

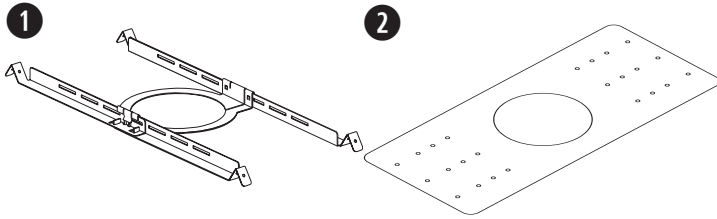


Gebruik bij de installatie geen oplosmiddelen, smeermiddelen of reinigingsmiddelen op koolwaterstofbasis op of rond de luidspreker en bijbehorende montagematerialen. Blootstelling aan dergelijke stoffen kan nadelige gevolgen hebben voor het kunststof materiaal, wat kan leiden tot scheuren en een risico op vallen.

Installatieopties

Installatieopties en -accessoires

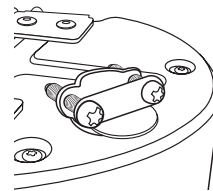
- 1 Verstelbare tegelbrug (meegeleverd)
- 2 Inbouwplaat (optioneel)



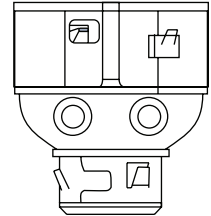
Geleiding

Gebruik de flexibele metalen geleider in combinatie met een leidinghulpstuk van 9,5 mm of een dubbele (duplex) connector van 9,5 mm.

Opmerking: Leidinghulpstukken zijn niet meegeleverd.



3/8-inch enkel in



3/8-inch duplex in/lus

Een installatiemethode kiezen

1 Uitsparing bovenkant

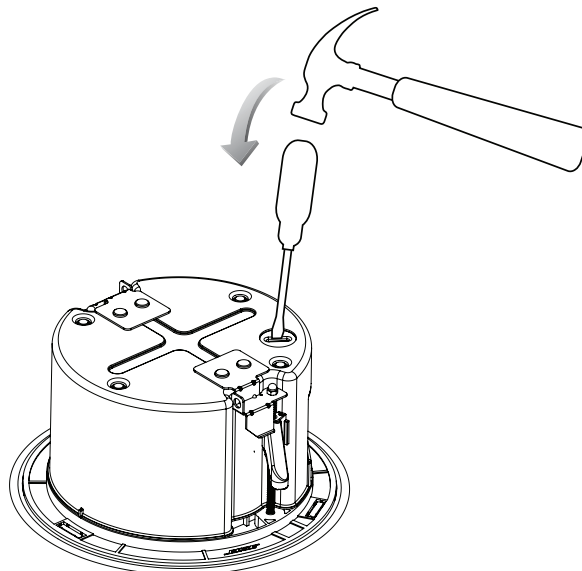
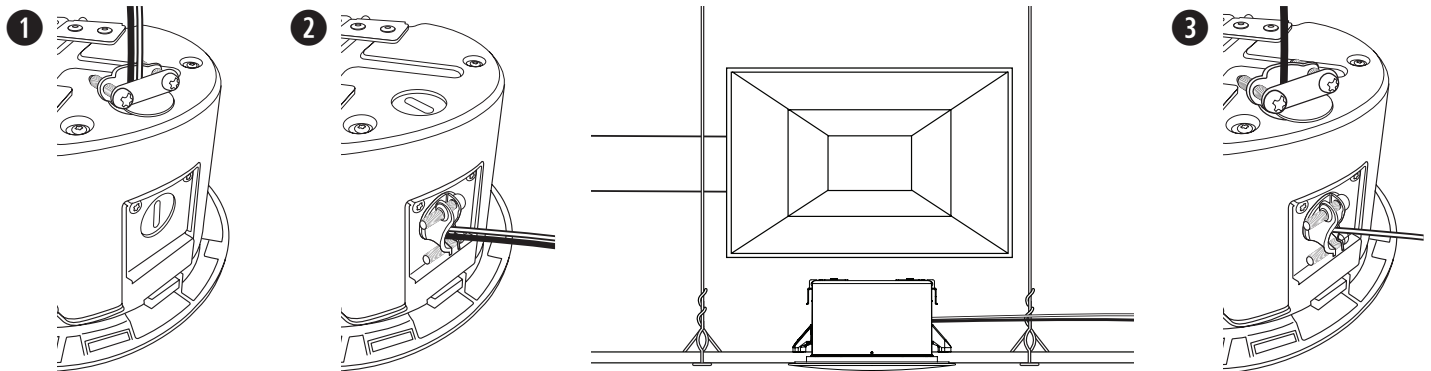
Gebruik de uitsparing op de bovenkant als er nog ruimte is boven het plafond.

2 Uitsparing zijkant

Gebruik de uitsparing op de zijkant als er weinig ruimte is boven het plafond.

3 Beide uitsparingen

Gebruik beide uitsparingen als een bekabelingsschema is vereist voor afzonderlijke signaal-ingangen en -uitgangen en er voldoende ruimte is boven het plafond.



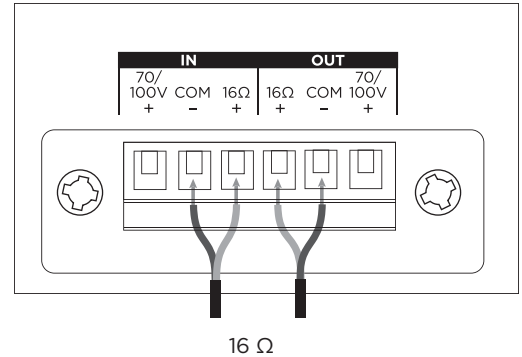
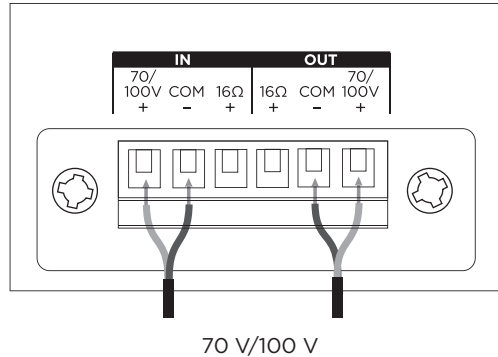
De luidspreker bekabelen

Bekabelingsdiameter

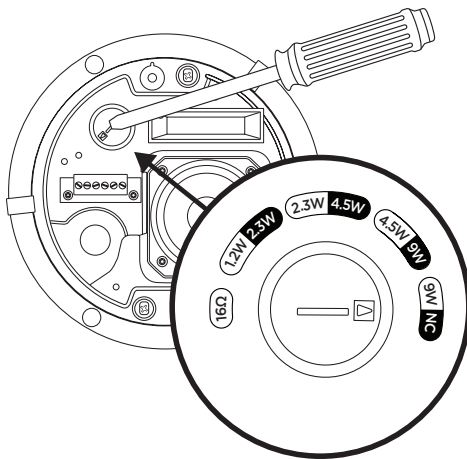
De DesignMax DM2C-LP luidspreker is uitsluitend ontworpen voor bedrading van 18 AWG (0,8 mm²) tot 14 AWG (2,1 mm²).

Aansluitdiagrammen

Strip zes millimeter van de kabelisolatie voor bevestiging van de kale kabel aan de aansluitingen.



Luidsprekerinstellingen



70 V				16 Ω
1,2 W	2,3 W	4,5 W	9 W*	
2,3 W	4,5 W	9 W	NC**	
100 V				

* Fabrieksinstelling

** NC: No Connection (geen aansluiting; niet gebruiken)

Transformatorinstelling

Draai om de transformator in te stellen. Gebruik schroevendraaier met platte kop.

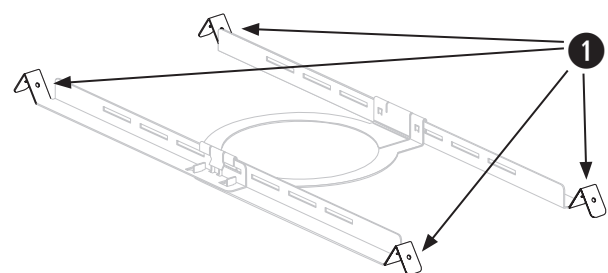
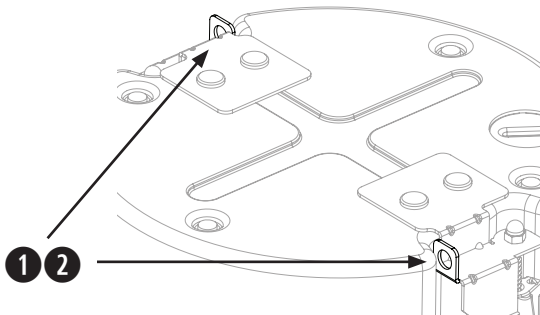
De installatie voorbereiden

Een veiligheidskabel gebruiken

In sommige regio's bent u volgens de bouwvoorschriften verplicht luidsprekers dubbel gezekerd te bevestigen voor extra veiligheid. De gekozen locatie, montagewijze en gebruikte montagemiddelen moeten voldoen aan de geldende bouwvoorschriften en -verordeningen.

Bose raadt aan (1) een veiligheidsdraad of (2) veiligheidskabel te gebruiken als secundaire bevestigingsmethode. Raadpleeg de onderstaande schema's voor bevestigingspunten.

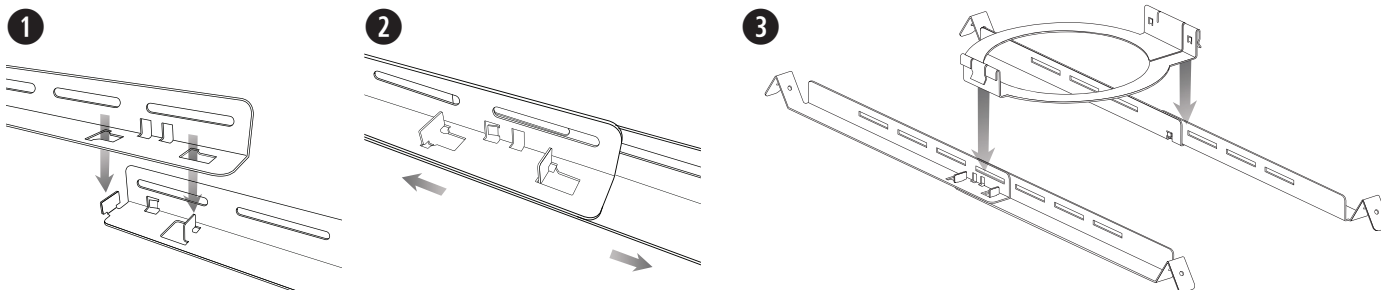
Volg de instructies van de fabrikant voor eventueel al ingebouwde secundaire beveiligingsmechanismen.



De tegelbrug in elkaar zetten

Opmerking: Bij installatie in een hard plafond monteert u de tegelbrug nadat u de rails en ring door de opening hebt gehaald (zie pagina 42).

1. Lijn de rails uit en steek de lipjes door de openingen.
2. Trek de rails naar buiten om de onderdelen te bevestigen.
3. Zorg dat de rails evenwijdig aan elkaar liggen en druk de ring van de tegelbrug naar beneden om de ring aan de rails te bevestigen.

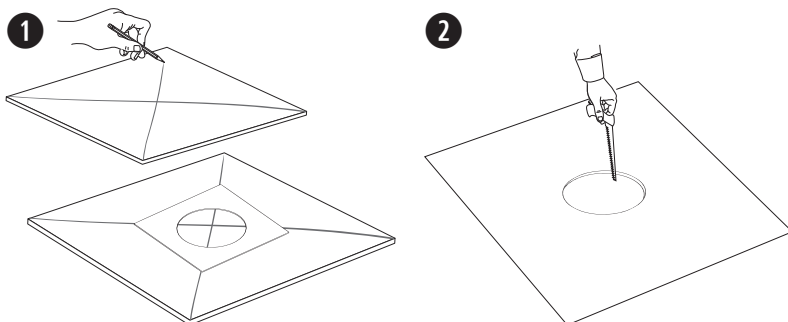


Opmerking: Installatie in de nabijheid van kookoppervlakken waar de luidspreker direct kan worden blootgesteld aan bakolie (zoals in professionele keukens) kan de prestaties of betrouwbaarheid van de luidspreker verminderen.

De akoestische plafondtegel voorbereiden

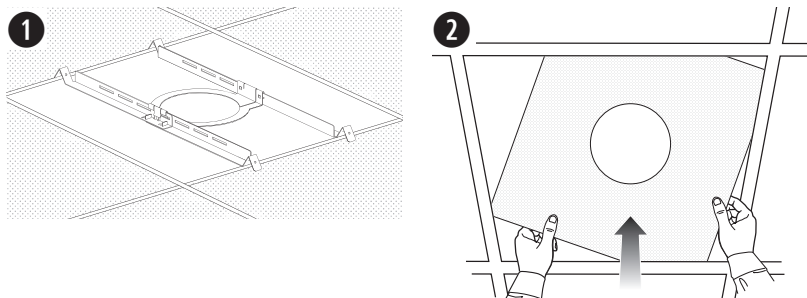
Een opening in de plafondtegel zagen

1. Verwijder de tegel en teken met behulp van het sjabloon een opening op de tegel. Teken een 'X' diagonaal vanuit de hoeken van de tegel, zodat u het sjabloon kunt centreren op het snijpunt.
2. Zaag een opening in de tegel.



De tegelbrug plaatsen

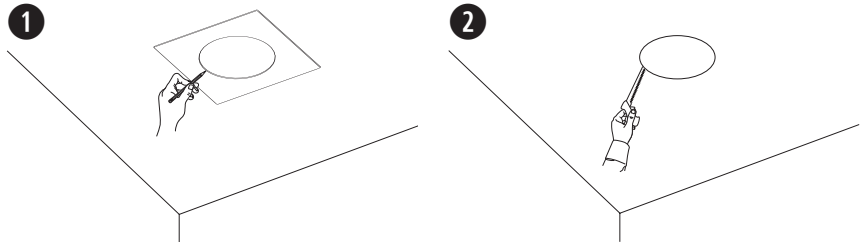
1. Plaats de gemonteerde tegelbrug op het plafondraaster. Verstel indien nodig de tegelbrug zo dat de rails op het plafondraaster rusten.
2. Plaats de tegel terug in het plafond.



Een hard plafond voorbereiden (bestaande constructie)

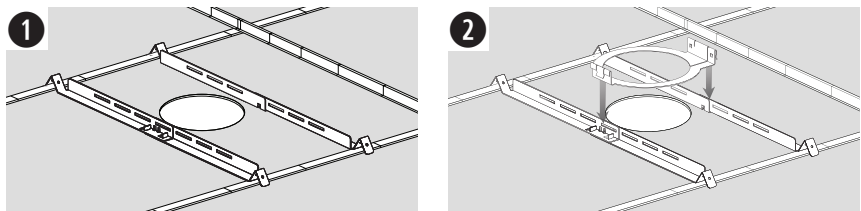
Een opening in het plafond zagen

1. Teken met behulp van het sjabloon een opening af in het plafond.
2. Zaag een opening in het plafond.



De tegelbrug plaatsen

1. Haal de rails en ring van de tegelbrug door de opening en leg de rails evenwijdig aan elkaar op het plafondraaster of belegstuk.
2. Zet de tegelbrug in elkaar.

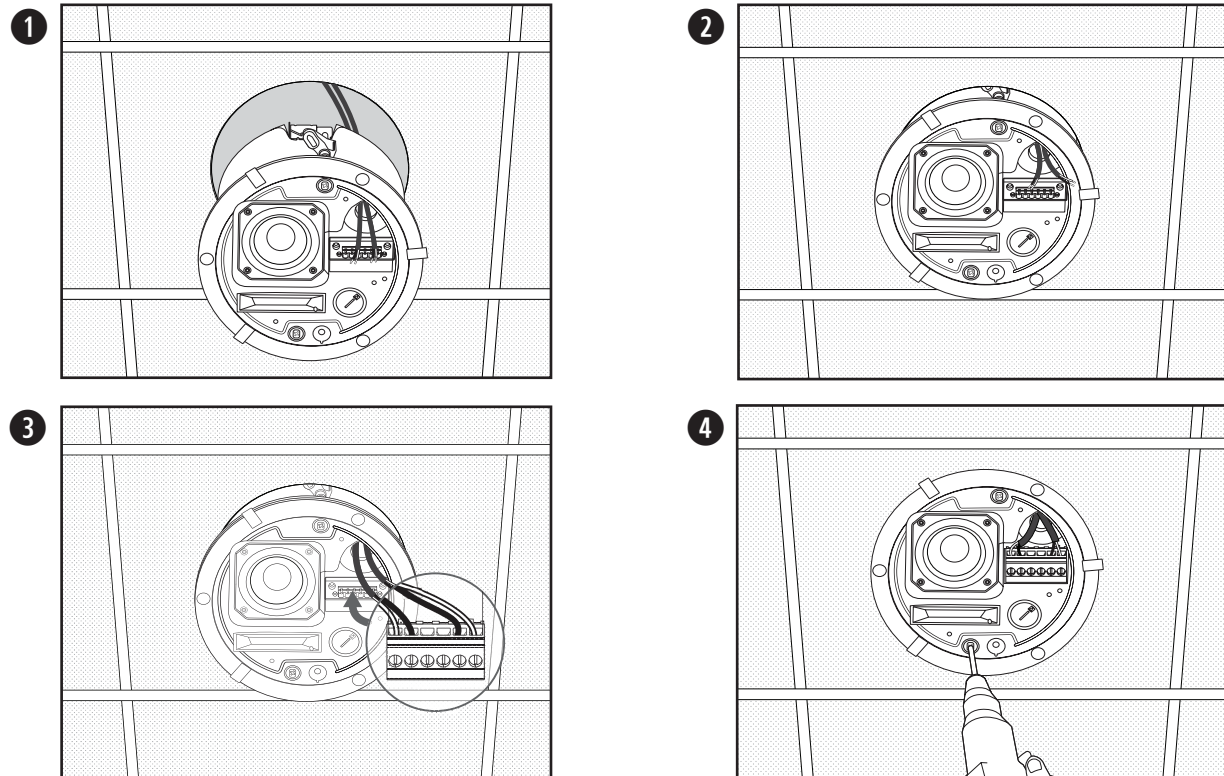


De luidspreker bevestigen

1. Haal de audiokabel door de kabelopening.
2. Steek de luidspreker door de opening en de tegelbrug. Zorg ervoor dat de ankers in de tegelbrug grijpen voordat u de luidspreker loslaat.
3. Verwijder de connector, sluit de bekabeling aan op de connector en plaats de connector weer terug in de luidspreker. Raadpleeg voor bekabelingsinformatie **De luidspreker bekabelen** op pagina 40.
4. Draai de ankerarmschroeven vast om de luidspreker te bevestigen. Stel bij gebruik van een elektrische boor-/schroefmachine het apparaat in op een laag koppel.



WAARSCHUWING: Wanneer u de schroeven te vast draait, kan het ankerbevestigingspunt of het plafond beschadigen, wat kan leiden tot een risico op vallen.

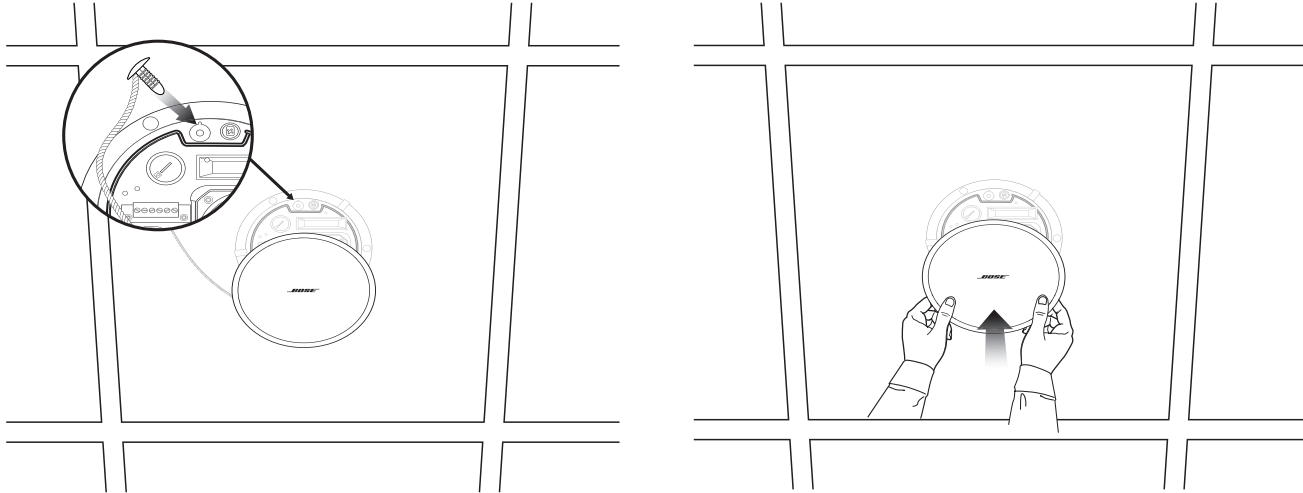


Installatie in een hard plafond met een inbouwplaat (nieuwbouw)

Raadpleeg voor informatie over het installeren van de inbouwplaat de installatiehandleiding voor de DesignMax-inbouwplaat op PRO.BOSE.COM. Raadpleeg na installatie van de inbouwplaat **De luidspreker bevestigen** op pagina 42.

De grille plaatsen

Steek de veiligheidspin in het gat in de luidspreker. Plaats met beide handen de grille tegen de luidspreker. De grille wordt magnetisch aan de luidspreker bevestigd.



Veiligheid en naleving van regelgeving

De Bose DesignMax DM2C-LP luidspreker is getest en voldoet voor onderstaande specificaties en toepassingen:

ANSI/UL 1480A-2016, Speakers for Commercial & Safety Professional Use

General-Purpose Use - UL Category UEAY, File Number S 5591 Control Number 3N89

UL-2043, 2013, Fire Test and Visible Smoke Release for Discrete Products and their Accessories Installed in Air Handling Spaces, geschikt voor gebruik in luchtbehandelingsruimten.

Geschikt voor installatie middels bekabelingsmethoden Klasse 1, Klasse 2 en Klasse 3 volgens NFPA 70, National Electrical Code, 2017, artikel 640

NFPA 70, National Electrical Code, 2017, artikel 300-22(c)

NFPA 90-A, 2015, Installation of Air Conditioning and Ventilation Systems, Paragraph 4.3.11.2.6.5

De DesignMax DM2C-LP luidspreker is ontworpen volgens de vereisten die zijn vastgelegd in onderstaande specificatie van Europese regelgeving voor combinatiesystemen:

Getest volgens IEC60268-5, 2007

Les og ta vare på alle sikkerhets- og bruksinstruksjoner.

Dette produktet skal bare monteres av profesjonelle montører! Formålet med dette dokumentet er å gi profesjonelle montører grunnleggende monterings- og sikkerhetsveiledning for dette produktet i typiske fastmonteringsystemer. Les dette dokumentet og alle sikkerhetsadvarsler før du starter monteringen.

Ikke prøv å utføre vedlikehold på dette produktet selv. Henvis alt vedlikehold til autoriserte servicesentre, montører, teknikere, forhandlere eller distributører. Hvis du vil kontakte Bose Professional eller finne en forhandler eller distributør i nærheten, gå du til **PRO.BOSE.COM**.

1. Les disse instruksjonene.
2. Ta vare på disse instruksjonene.
3. Ta hensyn til alle advarsler.
4. Følg alle instruksjoner.
5. Ikke bruk dette apparatet i nærheten av vann.
6. Rengjør bare med en ren klut.
7. Ikke blokker ventilasjonsåpninger. Plasser i henhold til produsentens instruksjoner.
8. Ikke plasser produktet nær varmekilder som radiatorer, ventilasjonsgitter, ovner eller andre apparater (inkludert forsterkere) som produserer varme.
9. Bare bruk fester/tilbehør som er angitt av produsenten.

**ADVARSLER/FORHOLDSREGLER**

Dette produktet inneholder magnetisk materiale. Kontakt lege hvis du vil finne ut om dette kan påvirke implantert medisinsk utstyr.

- Alle Bose-produkter må monteres i henhold til bransjeforskrifter og lokale og nasjonale forskrifter. Det er montørens ansvar å sikre at monteringen av høyttalere og monteringsystemet utføres i henhold til alle gjeldende forskrifter, inkludert lokale byggeforskrifter og bestemmelser. Kontakt de lokale myndighetene som har domsmyndighet før du monterer dette produktet.
- Utrygg montering eller opphenging av tunge gjenstander kan forårsake alvorlig skade eller død, samt skade på eiendom. Det er montørens ansvar å vurdere påliteligheten til alle monteringsmetodene de bruker. Takmonterte høyttalere skal bare monteres av profesjonelle montører med kunnskap om det riktige utstyret og trygge monteringsmetoder.
- Produktet må ikke monteres på steder hvor det kan oppstå kondens.
- Dette produktet er ikke ment for montering eller bruk i innendørs vannanlegg (inkludert, men ikke begrenset til, innendørs basseng, innendørs badeland, rom med badestamp, badstuer, damprom og innendørs skøytebaner).
- Må ikke monteres på overflater som ikke er solide, eller som har skjulte faremomenter bak seg, for eksempel elektriske kabler eller rør. Kontakt en kvalifisert montør hvis du er usikker på hvordan braketten skal monteres. Sørg for at braketten er montert i henhold til lokale byggeforskrifter.
- Bruk bare utstyret og tilbehøret som følger med, eller som er spesifisert av Bose for bruk med DesignMax DM2C-LP-høyttalere. Hvis du vil ha informasjon om kompatibelt tilbehør, kan du se produktets tekniske dataark på **PRO.BOSE.COM**.
- Hold produktet unna ild og andre varmekilder. Ikke plasser kilder til bar ild, for eksempel tente stearinlys, på eller nær produktet.
- Ikke foreta uautoriserte endringer på dette produktet.
- Ikke bruk hydrokarbonbaserte oppløsningsmidler, smøremidler eller rengjøringsmidler på eller rundt denne høyttaleren og tilhørende monteringsutstyr under montering. Slike midler kan forårsake at plastmaterialet brytes ned, som igjen kan forårsake sprekker og at høyttaleren faller ned.
- Bruk bare en tørr klut når du skal rengjøre høyttalere. Ikke bruk såpe, vaskemiddel, mineralolje, alkohol eller andre rengjøringsmidler eller kjemikalier når du rengjør høyttaleren.
- Grillen er utstyrt med en sikkerhetsfestesnor som er designet for bruk én gang.

Produktklassifisering:

Inngangsspenning: 70/100 V

Impedans: 16 Ω, 16 W

Strøm eller effekt: (70 V): 1,2 W, 2,3 W, 4,5 W, 9 W, (100 V): 2,3 W, 4,5 W, 9 W

Informasjon om forskrifter

Produktet overholder alle kravene i gjeldende EU-direktiver. Du finner den fullstendige samsvarserklæringen på: **www.Bose.com/compliance**.



Dette produktet er i samsvar med alle gjeldende bestemmelser om elektromagnetisk kompatibilitet for 2016 og alle andre gjeldende bestemmelser i Storbritannia. Den fullstendige samsvarserklæringen finner du på **www.Bose.com/compliance**



Dette symbolet betyr at produktet ikke må kasseres som husholdningsavfall, og at det skal leveres til en passende innsamlingsanlegg for gjenvinning. Riktig håndtering og gjenvinning bidrar til å beskytte naturressurser, helse og miljø. Hvis du vil ha mer informasjon om avfallshåndtering og resirkulering av dette produktet, kontakter du de lokale myndighetene, avfallsorganisasjonen eller butikken hvor du kjøpte dette produktet.

Produksjonsdato: Det åttende tallet i serienummeret viser produksjonsåret: 7 er 2007 eller 2017.

Importør i Kina: Bose Electronics (Shanghai) Company Limited, Part C, Plant 9, No. 353 North Riyang Road, Kina (Shanghai) pilotfri handelssone

Importør i EU: Bose Products B.V., Gorslaan 60, 1441 RG Purmerend, Nederland

Importør i Mexico: Bose de México, S. de R.L. de C.V., Paseo de las Palmas 405-204, Lomas de Chapultepec, 11000 México, D.F. For informasjon om importør og service: +5255 (5202) 3545

Importør i Taiwan: Bose Taiwan Branch, 9F-A1, No. 10, Section 3, Minsheng East Road, Taipei City 104, Taiwan. Telefonnummer: +886-2-2514 7676

Importør for Storbritannia: Bose Limited, Bose House, Quayside Chatham Maritime, Chatham, Kent, ME4 4QZ, Storbritannia

Bose og DesignMax er varemerker som tilhører Bose Corporation.

Hovedkontoret til Bose Corporation: 1-877-230-5639

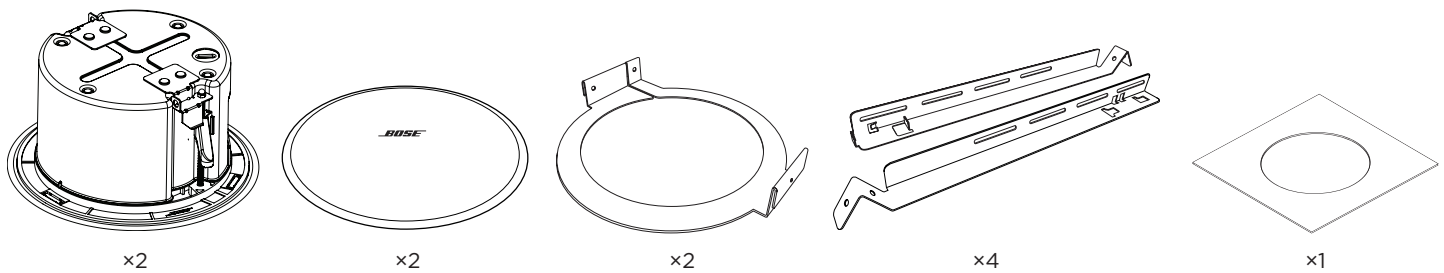
©2021 Bose Corporation. Ingen del av dette arbeidet kan bli reproduisert, endret, distribuert eller på annen måte brukt uten skriftlig tillatelse på forhånd.

Garantiinformasjon

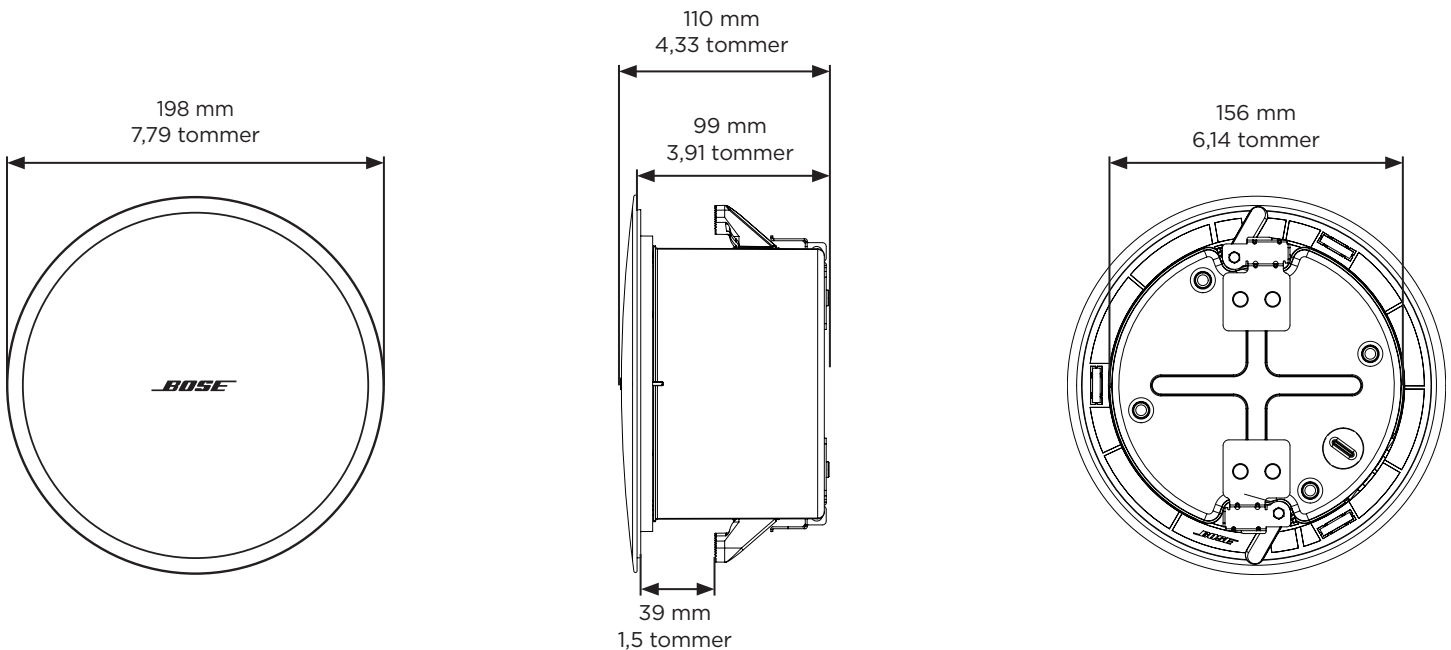
Dette produktet er dekket av en begrenset garanti.

Hvis du vil ha informasjon om garanti, gå du til **PRO.BOSE.COM**.

Innhold i pakken



Produktmål



Tekniske spesifikasjoner

Hvis du vil ha flere spesifikasjoner, kan du se det tekniske dataarket for DM2C-LP på PRO.BOSE.COM.

Fysisk	
Produktmål	Nettingdiameter: 198 mm (7,79 tommer)
	Diameter på høyttalerhus: 156 mm (6,14 tommer)
	Dybde på høyttalerbrønn: 99 mm (3,91 tommer)
Utskåret hull	165 mm (6,5 tommer)
Maksimal taktykkelse	39 mm (1,5 tommer)
Nettovekt, Høyttaler med grill (enkel)	3,6 lb (1,63 kg)
Nettovekt, Monteringsbro (enkel)	1,6 lb (0,72 kg)
Forsendelsesvekt (par)	13,2 lb (5,99 kg)

Viktig informasjon om montering



Det er montørens ansvar å sikre at monteringen av høyttalerne og monteringssystemet utføres i henhold til alle gjeldende forskrifter, inkludert lokale byggeforskrifter og bestemmelser. Kontakt de lokale myndighetene som har domsmyndighet før du monterer dette produktet.

Montøren har ansvaret for at høyttaleren er sikkert montert. Hvis høyttaleren ikke er montert på riktig måte, kan dette forårsake skade og død.

Produktet må ikke monteres på steder hvor det kan oppstå kondens.



Dette produktet er ikke ment for montering eller bruk i innendørs vannanlegg (inkludert, men ikke begrenset til, innendørs basseng, innendørs badeland, rom med badestamp, badstuer, damprom og innendørs skøytebaner).

Må ikke monteres på overflater som ikke er solide, eller som har skjulte faremomenter bak seg, for eksempel elektriske kabler eller rør. Kontakt en kvalifisert montør hvis du er usikker på hvordan braketten skal monteres. Sørg for at braketten er montert i henhold til lokale byggeforskrifter.

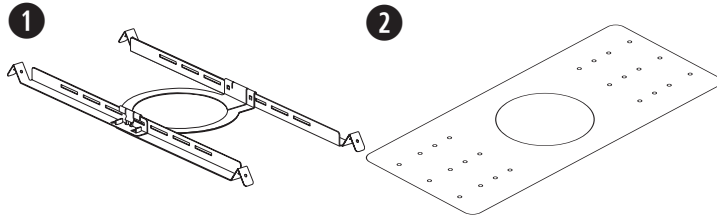


Ikke bruk hydrokarbonbaserte oppløsningsmidler, smøremidler eller rengjøringsmidler på eller rundt denne høyttaleren og tilhørende monteringsutstyr under montering. Slike midler kan forårsake at plastmaterialet brytes ned, som igjen kan forårsake sprekker og at høyttaleren faller ned.

Monteringsalternativer

Monteringsalternativer og tilbehør

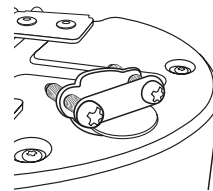
- ❶ Justerbar monteringsbro (følger med)
- ❷ Rough-in Pan (tilleggsutstyr)



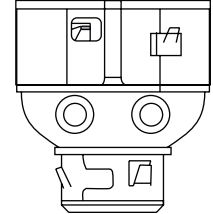
Rørforbindelse

Hvis du bruker et fleksibelt metallrør, må du bruke det med en $\frac{3}{8}$ -tommers rørforbindelse eller en $\frac{3}{8}$ -tommers dobbel kontakt.

Merk: Rørforbindelser følger ikke med.



$\frac{3}{8}$ -tommers enkel inngang



$\frac{3}{8}$ -tommers dobbel inngang / sløfje

Valg av monteringsmetode

❶ Toppknockout

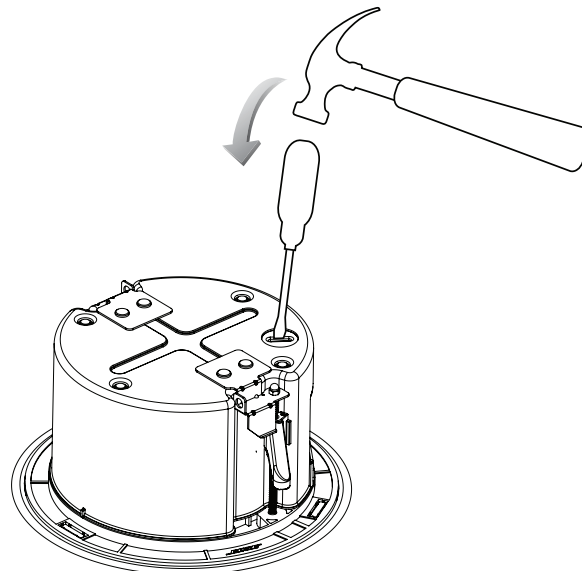
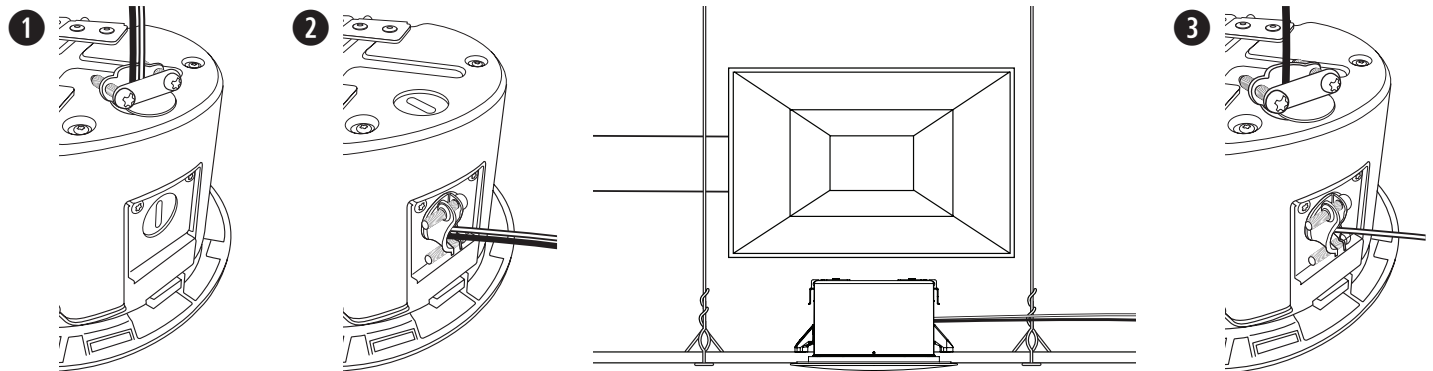
Bruk toppknockouten når det er ledig plass over taket.

❷ Sideknockout

Bruk sideknockouten når det er begrenset med plass over taket.

❸ Begge knockouter

Bruk begge knockouter når et selvstendig ledningsopplegg med inn- og utsignal er nødvendig, og det er ledig plass over taket.



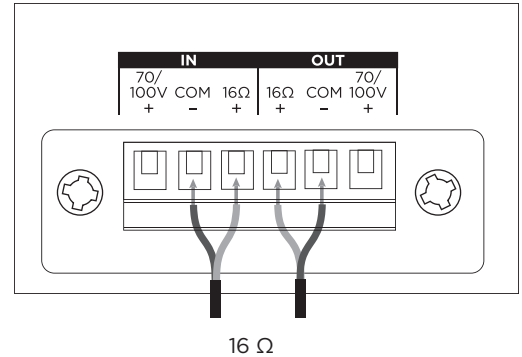
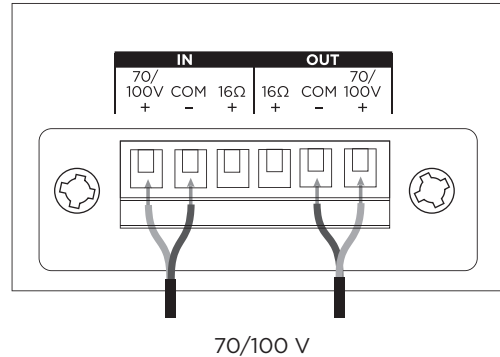
Kable høyttaleren

Kabeldiameter

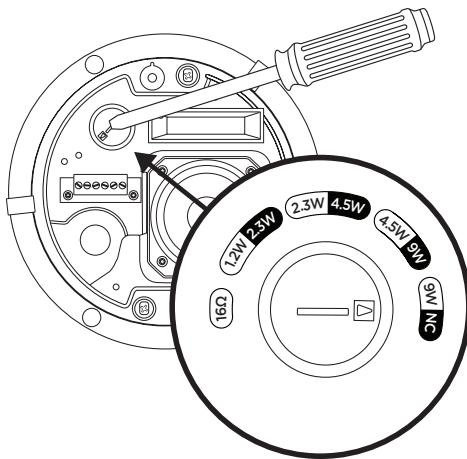
DesignMax DM2C-LP-høyttaleren er utformet for å fungere med kabler på mellom 18 AWG (0,8 mm²) til 14 AWG (2,1 mm²).

Koblingsdiagrammer

Eksponer seks millimeter (¼-tommer) av ledningen for å feste til terminalene.



Høyttalerinnstillinger



70 V				16Ω
1,2W	2,3W	4,5W	9W*	
2,3W	4,5W	9W	NC**	
100 V				

* Fabrikstandard

** NC: Ingen tilkobling (ikke bruk)

Innstilling av omformerkontakt

Vri for å stille inn kontakten. Bruk en skrutrekker med flatt hode.

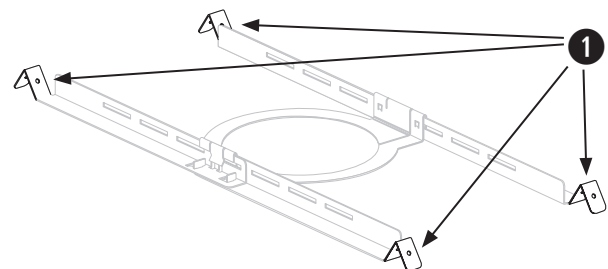
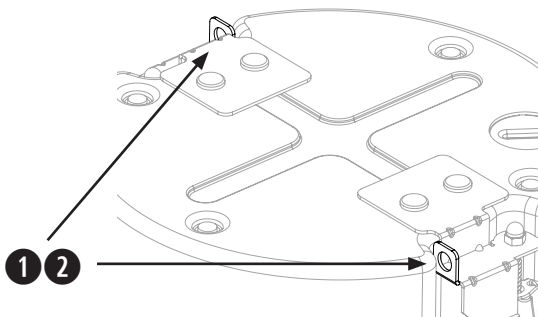
Forberede monteringen

Bruke en sikkerhetskabel

Noen regionale byggeforskrifter krever at du sikrer høyttalerne ytterligere ved hjelp av en sekundær sikringsmetode. Velg monteringssted, -metode- og -utstyr som samsvarer med lokale byggeforskrifter og bestemmelser.

Bose anbefaler at du bruker (1) en sikkerhetsledning, (2) en sikkerhetskabel som sekundær sikringsmekanisme. Se diagrammene nedenfor for å se punkter om sikkerhetsfeste.

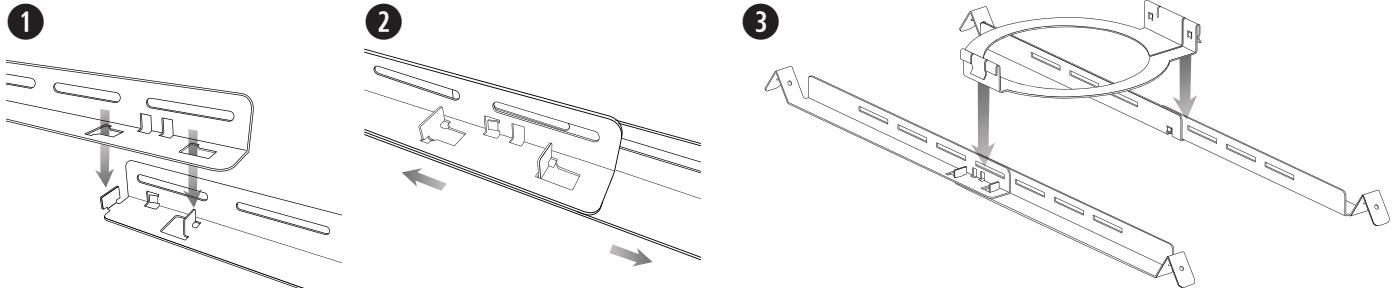
Følg produsentens instruksjoner for eventuelle sekundære festemekanismer som brukes.



Sette sammen monteringsbroen

Merk: Hvis du monterer i et hardt tak, setter du sammen du monteringsbroen etter å ha satt inn skinner og ring gjennom det utskårede hullet (se side 49).

1. Sett skinnene over hverandre og sett inn tappene i sporene.
2. Dra skinnene utover for å feste dem sammen.
3. Sett skinnene parallelt med hverandre og trykk ned monteringsbroringen for å feste ringen til skinnene.

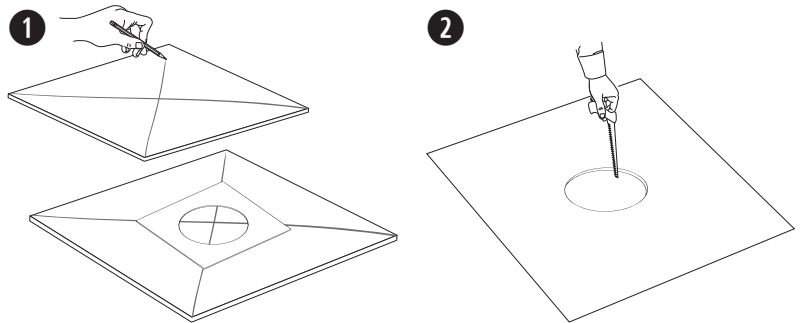


Merk: Montering på steder hvor høyttaleren kan komme i kontakt med matolje, for eksempel på storkjøkken, kan redusere ytelsen eller funksjonaliteten til høyttaleren.

Klargjøre lyddeppe takplate

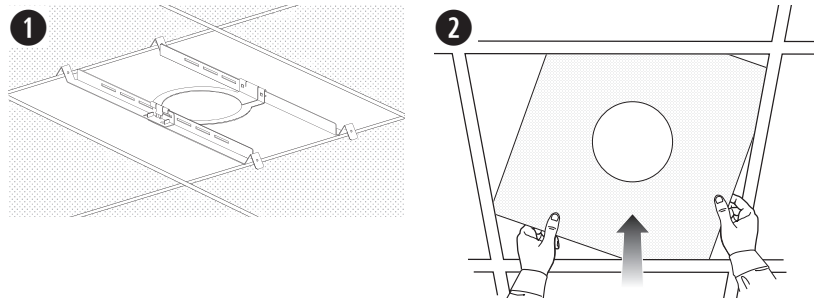
Skjære takplaten

1. Fjern platen, og bruk malen til å tegne et høyttalerhull på platen. Hvis du vil plassere malen midt på platen, tegner du en X ved å streke opp diagonale linjer mellom hjørnene og plassere malen på krysningspunktet.
2. Skjær et hull i platen.



Installere monteringsbroen

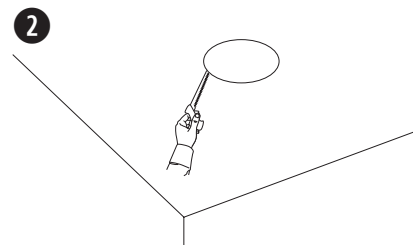
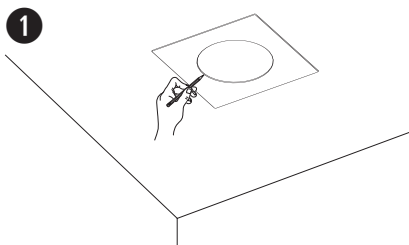
1. Plasser den monterte monteringsbroen over takristen. Juster om nødvendig monteringsbroen slik at skinnene hviler på takristen.
2. Sett takplaten tilbake på plass.



Klargjøre hardt tak (eksisterende konstruksjon)

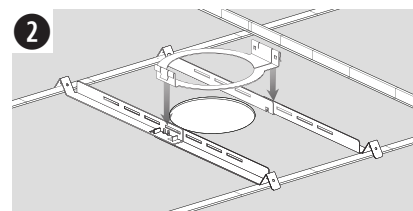
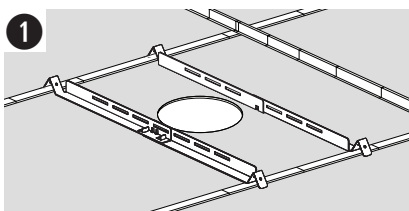
Skjære i taket

1. Bruk malen til å tegne opp et hull i taket.
2. Skjær et hull i taket.



Installere monteringsbroen

1. Sett inn monteringsbroskinnene og ringen gjennom hullet, og plasser skinnene parallelt med hverandre over takristen eller -lekten.
2. Montere monteringsbroen.

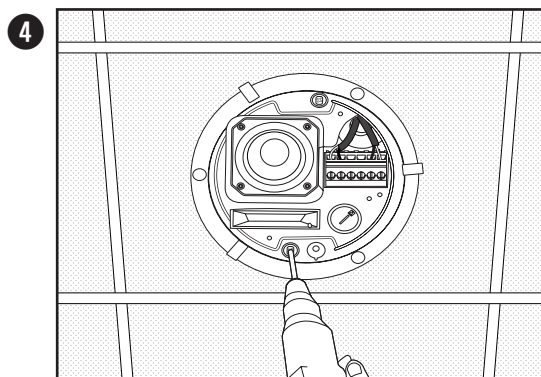
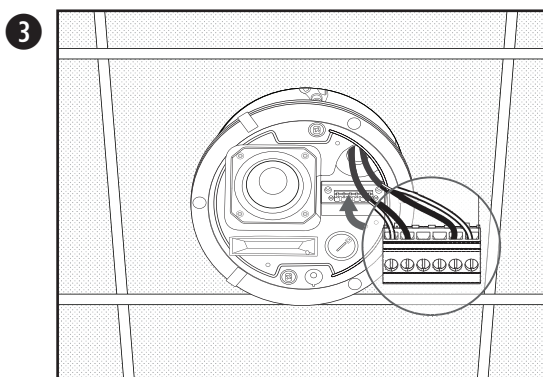
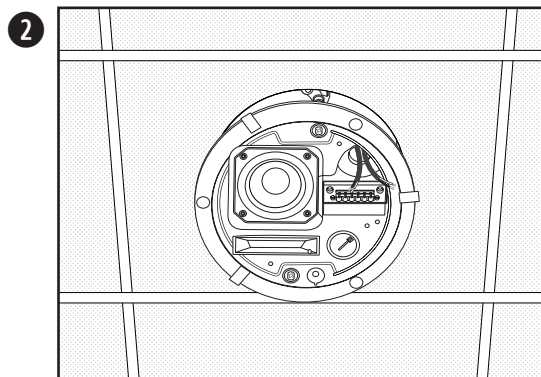
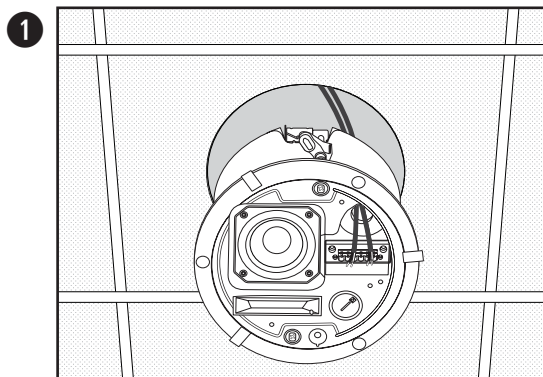


Montere høyttaleren

1. Tre lyd-kabelen gjennom kabelåpningen.
2. Før høyttaleren gjennom hullet og inn i monteringsbroen. Kontroller at ankrene er i kontakt med monteringsbroen før du løsner grepet på høyttaleren.
3. Ta ut kontakten, kable den, og sett den tilbake i høyttaleren. Hvis du vil ha mer informasjon om kabling, kan du se **Kable høyttaleren** på side 47.
4. Stram skruene på ankerarmen for å feste høyttaleren. Hvis du bruker en elektrisk drill, må du stille den inn på lavt dreiemoment.



ADVARSEL: Hvis skruene strammes for mye, kan dette forårsake skade på ankerfestepunktet eller taket, og at høyttaleren faller ned.

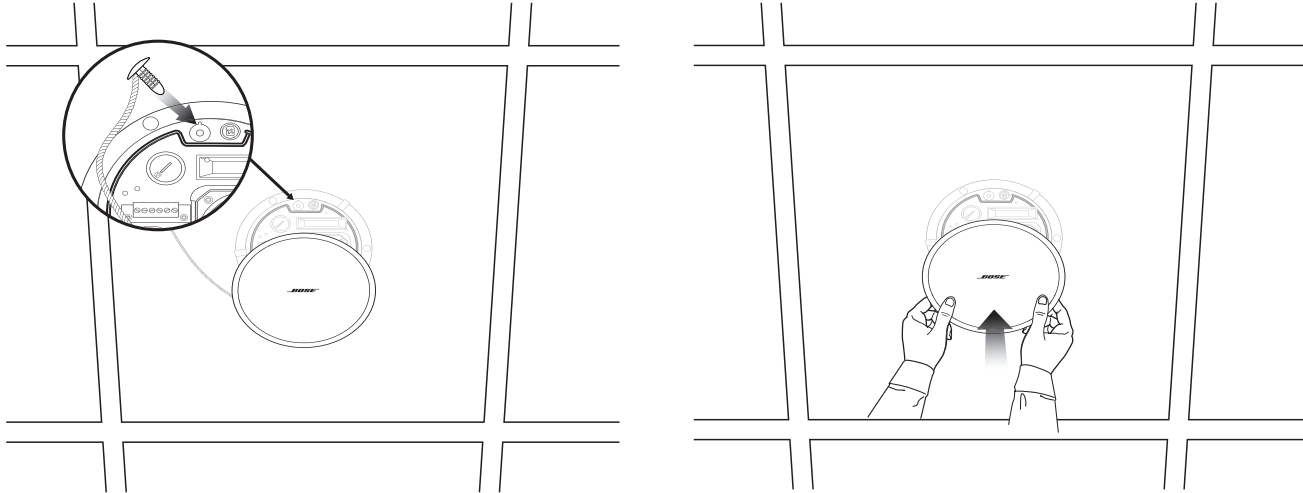


Montering i hardt tak ved hjelp av Rough-in Pan (ny konstruksjon)

Hvis du vil ha informasjon om hvordan du monterer rough-in pan, kan du se monteringsveiledningen for DesignMax Rough-in Pan på **PRO.BOSE.COM**. Når rough-in pan er montert, kan du se **Montere høyttaleren** på side 49.

Feste grillen

Stikk sikkerhetsfestesnoren inn i hullet i høyttaleren. Bruk begge hendene når du plasserer grillen mot høyttaleren. Grillen festet til høyttaleren ved hjelp av magneter.



Samsvar med sikkerhet og forskrifter

Bose DesignMax DM2C-LP-høyttaleren har bestått tester og samsvarer med følgende spesifikasjoner og bruksområder:

Oppført i ANSI/UL 1480A-2016, høyttalere for profesjonell kommersiell bruk og sikkerhetsformål

Generell bruk - UL kategori UEAY, filnummer S 5591 kontrollnummer 3N89

UL-2043, 2013, branntest og utløser for synlig røyk for diskre produkter og tilbehør som er montert i ventilasjonsområder. Egnert for bruk i ventilasjonsområder (under overtrykk).

Kan brukes til montering ved hjelp av kabelmetoder i klasse 1, klasse 2 eller klasse 3, i samsvar med NFPA 70, National Electrical Code, 2017, artikkel 640

NFPA 70, National Electrical Code, 2017, artikkel 300-22(c)

NFPA 90-A, 2015, montering av klimaanlegg og ventilasjonssystemer, paragraf 4.3.11.2.6.5

DesignMax DM2C-LP-høyttaleren er utformet i henhold til kravene som er definert i følgende europeiske forskrifter for kombinasjonssystemer:

Testet i samsvar med IEC60268-5, 2007

Należy zapoznać się ze wszystkimi zaleceniami dotyczącymi bezpieczeństwa oraz instrukcjami użytkowania i zachować je.

Instalację niniejszego produktu może przeprowadzić wyłącznie specjalista! Niniejszy dokument ma na celu dostarczenie profesjonalnym instalatorom podstawowych wskazówek dotyczących instalacji i bezpieczeństwa tego produktu w typowych, stałych instalacjach. Przed przystąpieniem do instalacji należy zapoznać się z niniejszym dokumentem i wszystkimi ostrzeżeniami dotyczącymi bezpieczeństwa.

Nie wolno serwisować urządzenia samodzielnie. Wszystkie czynności serwisowe muszą być wykonywane przez pracowników autoryzowanych centrów serwisowych, autoryzowanych instalatorów, techników, sprzedawców lub dystrybutorów. Aby skontaktować się z firmą Bose Professional, ze sprzedawcą bądź dystrybutorem w okolicy, odwiedź stronę **PRO.BOSE.COM**.

1. Należy przeczytać instrukcje.
2. Należy zachować instrukcje.
3. Należy stosować się do wszystkich ostrzeżeń.
4. Należy postępować zgodnie z instrukcjami.
5. Nie należy korzystać z tego urządzenia w pobliżu wody.
6. Urządzenie należy czyścić wyłącznie przy użyciu suchej ściereczki.
7. Nie wolno blokować otworów wentylacyjnych. Urządzenie należy zainstalować zgodnie z zaleceniami producenta.
8. Nie wolno instalować urządzenia w pobliżu źródeł ciepła, takich jak kaloryfery, przewody kominowe, piece lub inne urządzenia wydzielające ciepło (np. wzmacniacze).
9. Należy korzystać wyłącznie z dodatków i akcesoriów zalecanych przez producenta.



OSTRZEŻENIA/PRZESTROGI



Produkt zawiera elementy magnetyczne. Aby dowiedzieć się, czy mogą one mieć wpływ na funkcjonowanie implantów medycznych, należy skonsultować się z lekarzem.

- Wszystkie produkty Bose muszą być instalowane zgodnie z przepisami lokalnymi, krajowymi, federalnymi i branżowymi. Instalator jest zobowiązany zainstalować głośniki i system montażowy zgodnie ze wszystkimi obowiązującymi regulaminami, w tym regulaminami i przepisami obowiązującymi w budynku. Przed instalacją produktu należy skonsultować się z odpowiednimi władzami.
- Niebezpieczny montaż lub podwieszenie ciężkiego ładunku może spowodować poważne obrażenia lub śmierć oraz uszkodzenie mienia. Do obowiązków instalatora należy ocena niezawodności każdej metody montażu stosowanej w tym przypadku. Montaż podwieszanych głośników może być przeprowadzany wyłącznie przez profesjonalnych instalatorów posiadających wiedzę o odpowiednim sprzęcie i bezpiecznych technikach montażu.
- Nie wolno montować produktu w pomieszczeniach, w których może występować skraplanie pary wodnej.
- Niniejszy produkt nie jest przeznaczony do instalacji ani stosowania w pomieszczeniach mających stały kontakt z wodą (w tym m.in. basenach wewnętrznych, parkach wodnych, pomieszczeniach z jacuzzi, saunach, łaźniach parowych i lodowiskach).
- Nie montować uchwytu na powierzchniach niewystarczająco solidnych lub stwarzających zagrożenia związane na przykład z instalacją elektryczną lub hydrauliczną. W przypadku wątpliwości związanych z montażem uchwytu skontaktować się z wykwalifikowanym instalatorem. Upewnić się, że uchwyt został zamontowany zgodnie z lokalnymi przepisami budowlanymi.
- Należy używać wyłącznie sprzętu i akcesoriów dostarczonych lub wskazanych przez firmę Bose jako odpowiednie do głośników DesignMax DM2C-LP. Informacje na temat zgodnych akcesoriów można znaleźć w arkuszu danych technicznych produktu pod adresem **PRO.BOSE.COM**.
- Produkt musi być umieszczony z dala od ognia i źródeł ciepła. Na urządzeniu lub w jego pobliżu nie należy umieszczać źródeł otwartego ognia, np. zapalonych świec.
- Nie wolno dokonywać modyfikacji produktu bez zezwolenia.
- Podczas instalacji nie wolno używać rozpuszczalników na bazie węglowodorów, środków smarnych ani środków czyszczących jakiegokolwiek typu i nanosić ich wokół głośnika ani na urządzenie czy dołączone elementy montażowe. Narażenie na działanie takich substancji może prowadzić do degradacji materiałów plastikowych, a w rezultacie do pęknięcia i stworzenia zagrożenia upadkiem.
- Głośniki należy czyścić wyłącznie suchą szmatką. Nie należy wystawiać głośnika na działanie mydła, detergentów, oleju mineralnego, alkoholu ani innych środków czyszczących lub chemikaliów.
- Osłona wyposażona jest w linkę bezpieczeństwa przeznaczoną do jednorazowego użytku.

Klasyfikacja produktu:

Napięcie wejściowe: 70 V / 100 V

Impedancja: 16 Ω, 16 W

Prąd lub moc: (70 V): 1,2 W, 2,3 W, 4,5 W, 9 W; (100 V): 2,3 W, 4,5 W, 9 W

Informacje prawne



Ten produkt jest zgodny ze wszystkimi obowiązującymi wymaganiami dyrektyw UE. Pełna treść Deklaracji zgodności jest dostępna w witrynie: **www.Bose.com/compliance**.



Ten produkt jest zgodny ze wszystkimi obowiązującymi wymaganiami dokumentu Electromagnetic Compatibility Regulations 2016 oraz wszelkimi innymi przepisami obowiązującymi w Wielkiej Brytanii. Deklaracja zgodności jest dostępna w następującej witrynie internetowej: **www.Bose.com/compliance**



Ten symbol oznacza, że produktu nie należy wyrzucać razem z innymi odpadkami z gospodarstwa domowego. Produkt należy dostarczyć do odpowiedniego miejsca zbiórki w celu recyklingu. Właściwy sposób utylizacji i recyklingu pomaga chronić zasoby naturalne, ludzkie zdrowie i środowisko naturalne. Aby uzyskać więcej informacji na temat utylizacji i recyklingu tego produktu, skontaktuj się z samorządem lokalnym, w zakładzie utylizacji odpadów albo w sklepie, w którym produkt został nabyty.

Data produkcji: Ósma cyfra numeru seryjnego oznacza rok produkcji, np. cyfra „7” oznacza rok 2007 lub 2017.

Importer na terenie Chin: Bose Electronics (Shanghai) Company Limited, Part C, Plant 9, No. 353 North Ruying Road, China (Shanghai) Pilot Free Trade Zone

Importer na terenie UE: Bose Products B.V., Gorslaan 60, 1441 RG Purmerend, Holandia

Importer na terenie Meksyku: Bose de México, S. de R.L. de C.V., Paseo de las Palmas 405-204, Lomas de Chapultepec, 11000 México, D.F. W celu uzyskania informacji o importerze i usługach: +5255 (5202) 3545

Importer na terenie Tajwanu: Bose Taiwan Branch, 9F-A1, No.10, Section 3, Minsheng East Road, Taipei City 104, Taiwan. Numer telefonu: +886-2-2514 7676

Importer — Wielka Brytania: Bose Limited, Bose House, Quayside Chatham Maritime, Chatham, Kent, ME4 4QZ, United Kingdom

Bose and DesignMax są znakami towarowymi firmy Bose Corporation.

Siedziba główna firmy Bose Corporation: 1-877-230-5639

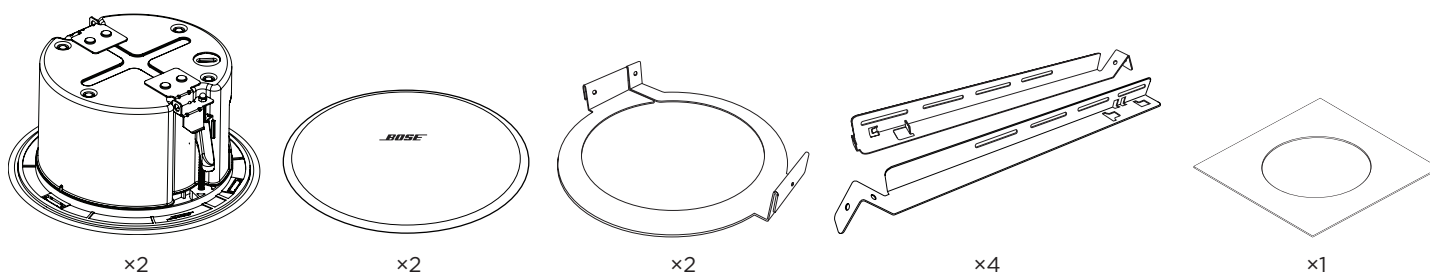
© 2021 Bose Corporation. Żadnej części tego dzieła nie wolno reprodukowować, modyfikować, rozpowszechniać ani w inny sposób wykorzystywać bez uprzedniego uzyskania pisemnego pozwolenia.

Informacje o gwarancji

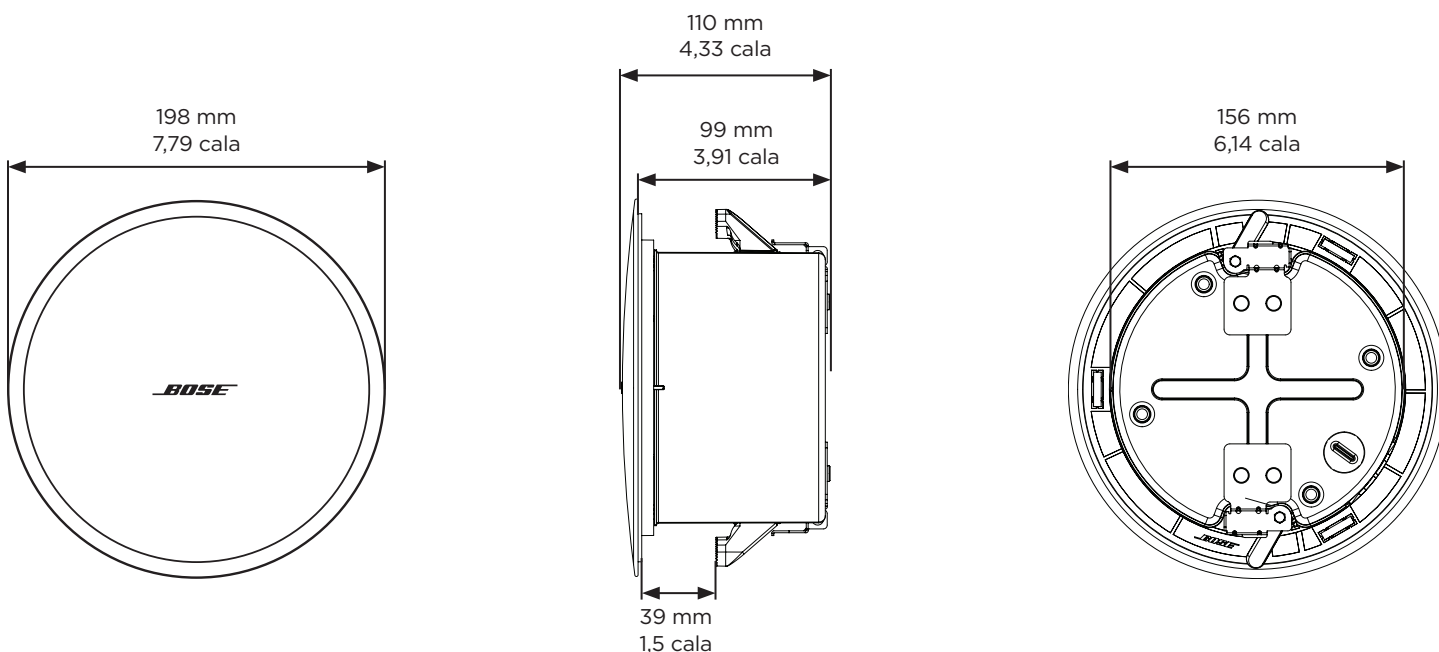
Opisywany produkt objęty jest ograniczoną gwarancją.

Szczegółowe informacje na temat gwarancji można znaleźć na stronie **PRO.BOSE.COM**.

Zawartość opakowania



Wymiary produktu



Dane techniczne

Dodatkowe dane techniczne można znaleźć w arkuszu danych technicznych DesignMax DM2C-LP na stronie PRO.BOSE.COM.

Fizyczne	
Wymiary produktu	Średnica maskownicy: 198 mm (7,79 cala)
	Średnica obudowy: 156 mm (6,14 cala)
	Głębokość tylnej puszkii: 99 mm (3,91 cala)
Wycięcie otworu	165 mm (6,5 cala)
Maksymalna grubość sufitu	39 mm (1,5 cala)
Waga netto – głośnik z osłoną (pojedynczy)	1,63 kg (3,6 lb)
Waga netto – mostek płytkowy (pojedynczy)	0,72 kg (1,6 lb)
Waga przesyłki (para)	5,99 kg (13,2 lb)

Ważne informacje dotyczące instalacji



Instalator jest zobowiązany zainstalować głośniki i system montażowy zgodnie ze wszystkimi obowiązującymi regulaminami, w tym regulaminami i przepisami obowiązującymi w budynku. Przed instalacją produktu należy skonsultować się z odpowiednimi władzami.

Odpowiedzialność za bezpieczeństwo instalacji głośników spoczywa na instalatorze. Nieprawidłowe zamontowanie głośnika może spowodować uszkodzenie urządzenia, obrażenia ciała lub śmierć.

Nie wolno montować produktu w pomieszczeniach, w których może występować skraplanie pary wodnej.



Niniejszy produkt nie jest przeznaczony do instalacji ani stosowania w pomieszczeniach mających stały kontakt z wodą (w tym m.in. basenach wewnętrznych, parkach wodnych, pomieszczeniach z jacuzzi, saunach, łaźniach parowych i lodowiskach).

Nie montować uchwytu na powierzchniach niewystarczająco solidnych lub stwarzających zagrożenia związane na przykład z instalacją elektryczną lub hydrauliczną. W przypadku wątpliwości związanych z montażem uchwytu skontaktować się z wykwalifikowanym instalatorem. Upewnić się, że uchwyt został zamontowany zgodnie z lokalnymi przepisami budowlanymi.

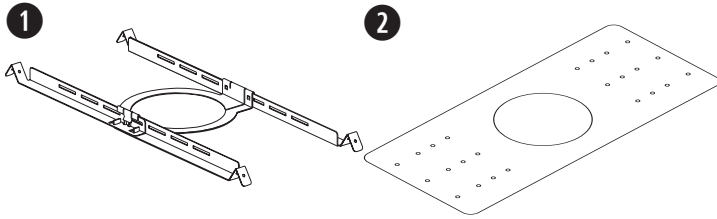


Podczas instalacji nie wolno używać rozpuszczalników na bazie węglowodorów, środków smarnych ani środków czyszczących jakiegokolwiek typu i nanosić ich wokół głośnika ani na urządzenie czy dołączone elementy montażowe. Narażenie na działanie takich substancji może prowadzić do degradacji materiałów plastikowych, a w rezultacie do pęknięcia i stworzenia zagrożenia upadkiem.

Opcje montażu

Opcje montażu i akcesoria

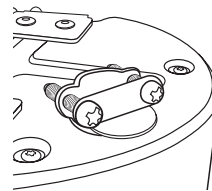
- ❶ Regulowany mostek do płytek (w zestawie)
- ❷ Podkładka montażowa (opcjonalna)



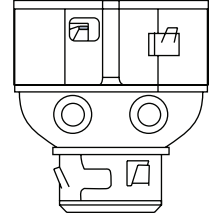
Przepust kablowy

W przypadku korzystania z elastycznego metalowego kanału kablowego należy użyć łącznika $\frac{3}{8}$ cala lub podwójnego złącza $\frac{3}{8}$ cala (dupleksu).

Uwaga: przepusty kablowe nie są dołączone do zestawu.



$\frac{3}{8}$ cala, pojedynczy



$\frac{3}{8}$ cala, podwójne wejście/
pętla

Wybór metody instalacji

❶ Górny otwór na kable

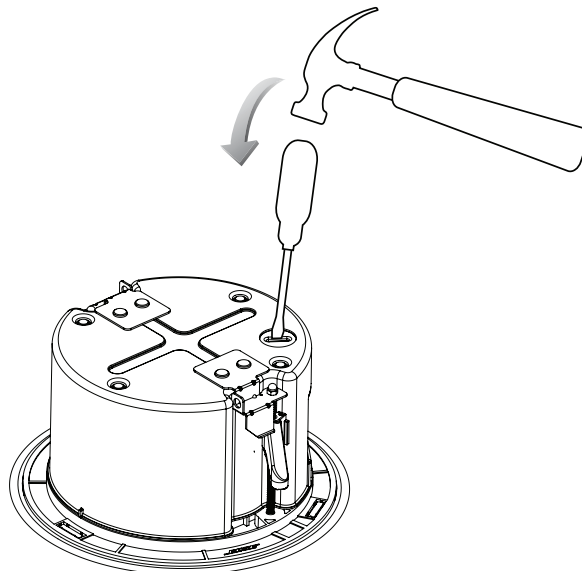
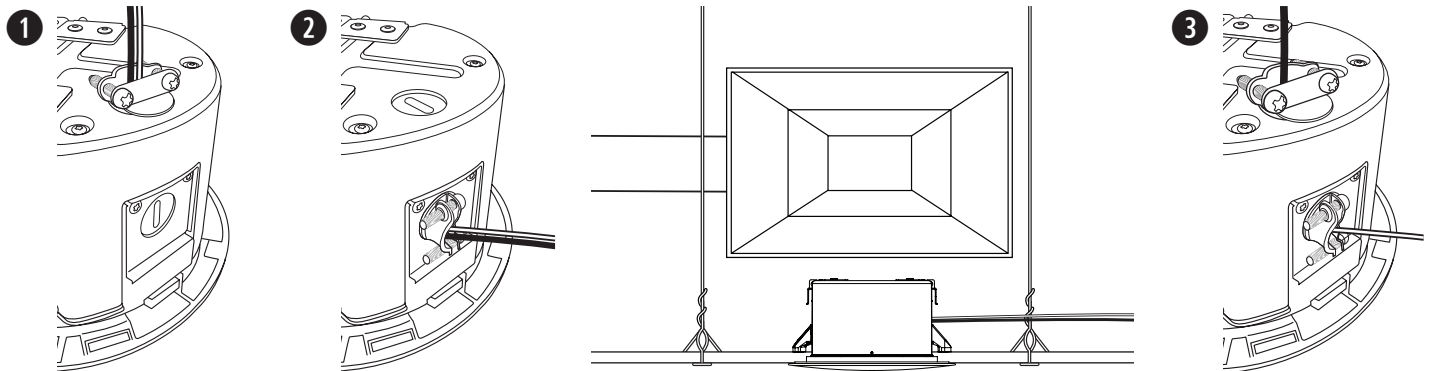
Jeśli nad sufitem jest dostępna przestrzeń, należy użyć górnego otworu na kable.

❷ Boczny otwór na kable

W przypadku ograniczonej przestrzeni nad sufitem należy użyć bocznego otworu na kable.

❸ Oba otwory na kable

Gdy wymagany jest niezależny schemat okablowania wejścia i wyjścia sygnału oraz dostępna jest przestrzeń nad sufitem, należy skorzystać z dwóch otworów na kable.



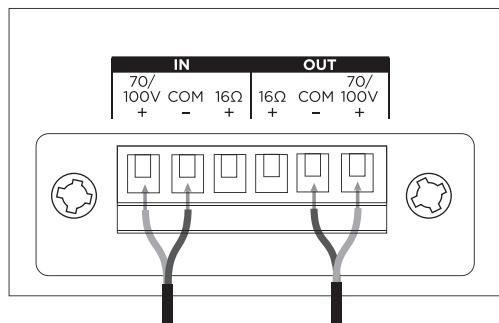
Okablowanie głośnika

Grubość przewodu

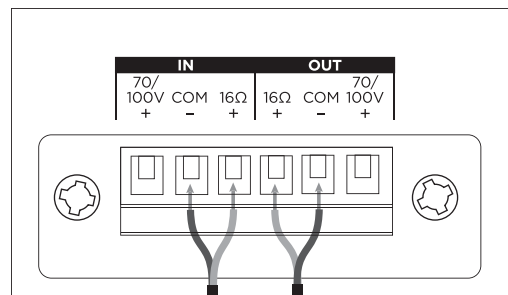
Do montażu głośnika DesignMax DM2C-LP należy stosować wyłącznie przewody o rozmiarze od 18 AWG (0,8 mm²) do 14 AWG (2,1 mm²).

Schematy połączeń

Odstąpić sześć milimetrów (¼ cala) niez izolowanego przewodu, aby podłączyć go do zacisków.

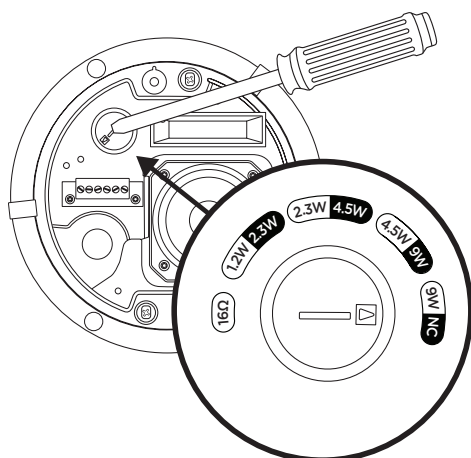


70 V / 100 V



16 Ω

Ustawienia głośnika



70 V				16 Ω
1,2 W	2,3 W	4,5 W	9 W*	
2,3 W	4,5 W	9 W	NC**	
100 V				

* Ustawienia fabryczne

** NC brak połączenia (nie używać)

Ustawienie gwintownika transformatora

Ustaw gwintownik, obracając go. Użyj płaskiego śrubokrętu.

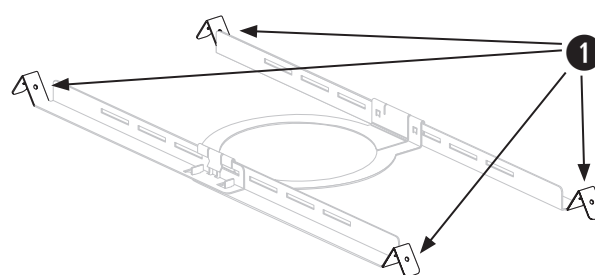
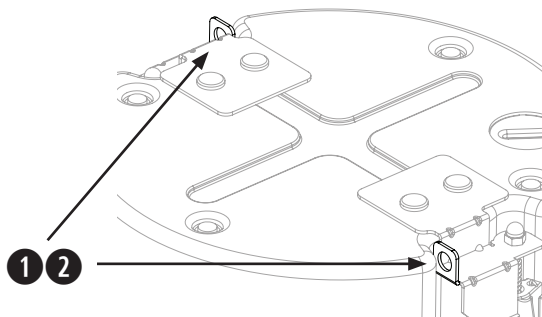
Przygotowanie do montażu

Korzystanie z kabla zabezpieczającego

Niektóre regionalne przepisy budowlane wymagają zastosowania dodatkowej metody zabezpieczenia głośników w celu zapewnienia dodatkowego bezpieczeństwa. Pozycja, sposób i elementy montażu muszą być zgodne z lokalnymi normami i przepisami budowlanymi.

Firma Bose zaleca użycie (1) przewodu zabezpieczającego lub (2) kabla zabezpieczającego jako dodatkowego mechanizmu zabezpieczającego. Punkty mocowania osprzętu zabezpieczającego przedstawiono na poniższych schematach.

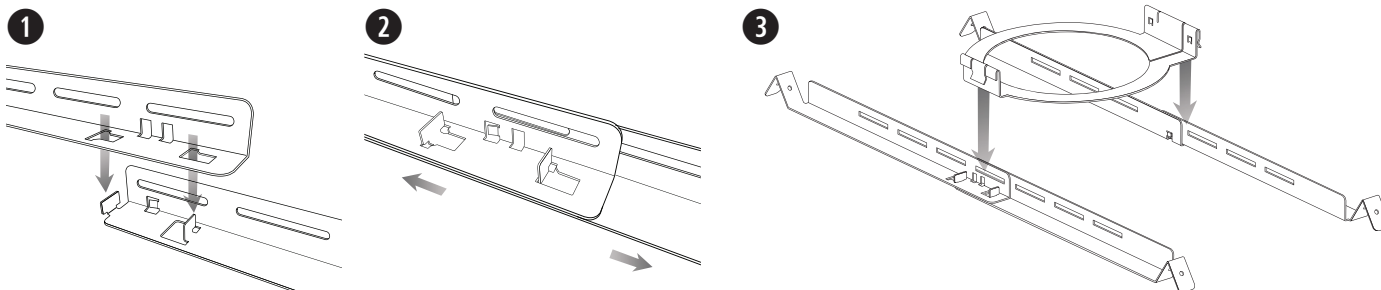
Należy przestrzegać instrukcji producenta dotyczących dodatkowego mechanizmu zabezpieczającego.



Montaż mostka płytkowego

Uwaga: w przypadku montażu w suficie twardym należy zamontować mostek płytkowy po włożeniu szyn i pierścienia przez otwór (patrz strona 56).

1. Wyrównać szyny i wsunąć zaczepy do szczelin.
2. Pociągnąć szyny na zewnątrz, aby je zamocować.
3. Ustawić szyny równoległe do siebie i wcisnąć pierścień mostka płytkowego, aby zamocować pierścień na szynach.

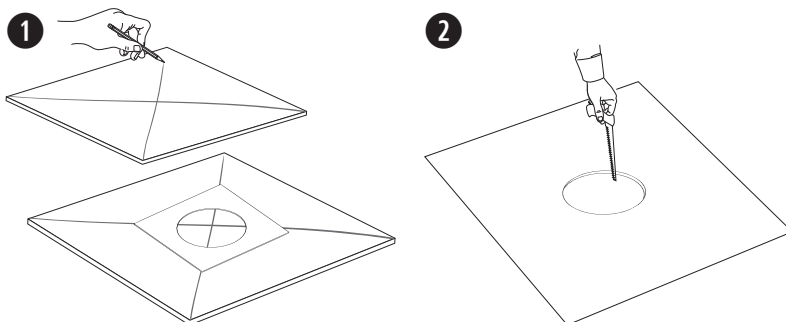


Uwaga: montaż w pobliżu powierzchni służących do gotowania, gdzie głośnik może być bezpośrednio wystawiony na działanie olejów, np. w komercyjnych punktach przygotowywania posiłków, może obniżyć wydajność lub funkcjonalność głośnika.

Przygotowanie akustycznej płytki sufitowej

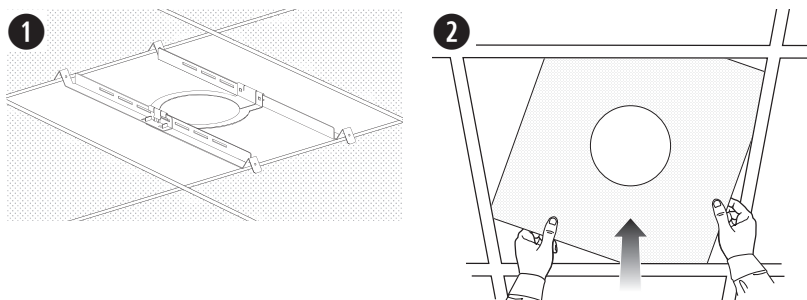
Przycinanie płytki sufitowej

1. Usunąć płytkę i użyć szablonu do zaznaczenia otworu głośnika na płytce. Aby wyśrodkować szablon na płytce, narysować znak X, łącząc narożniki po przekątnej i wyśrodkować szablon, używając punktu przecięcia.
2. Wyciąć otwór w płytce.



Montaż mostka płytkowego

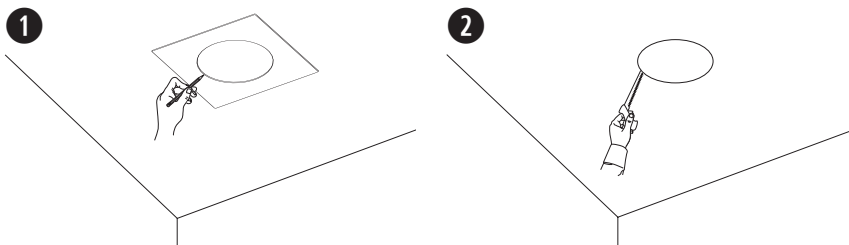
1. Umieścić złożony mostek płytkowy w poprzek kratki sufitowej. W razie potrzeby wyregulować położenie mostka, tak aby szyny spoczywały na kratce sufitowej.
2. Zamontować płytkę w suficie.



Przygotowanie sufitu twardego (istniejąca konstrukcja)

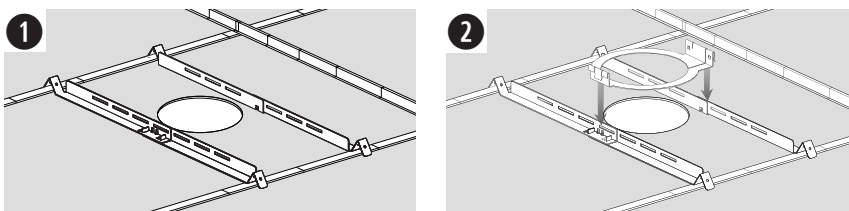
Przycinanie sufitu

1. Użyć szablonu do zaznaczenia otworu w suficie.
2. Wyciąć otwór w suficie.



Montaż mostka płytkowego

1. Wsunąć szyny mostka płytkowego w otwór i umieścić szyny równoległe do siebie w poprzek kratki sufitowej lub podkładki sufitowej.
2. Zmontować mostek płytkowy.

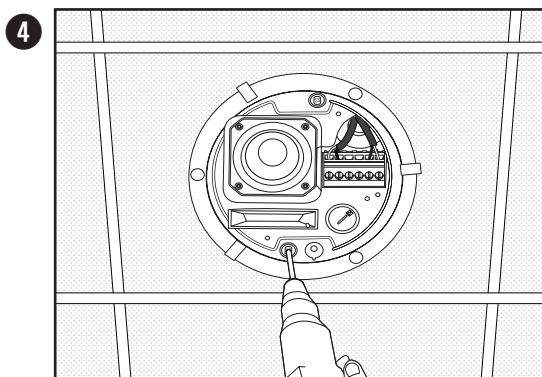
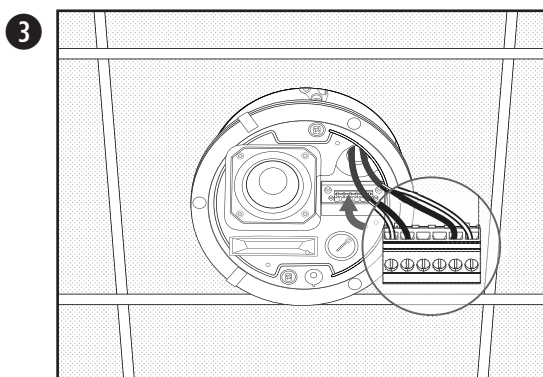
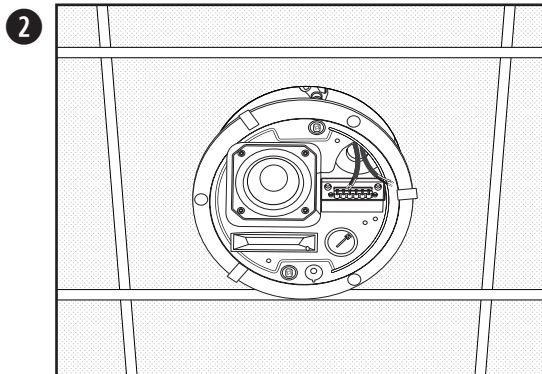
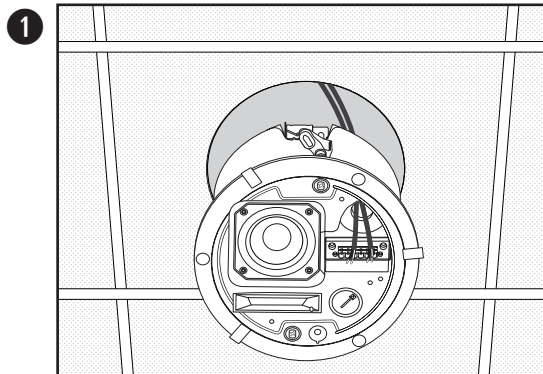


Montaż głośnika

1. Przeciągnąć przewód audio przez otwór na kable.
2. Wsunąć głośnik przez otwór i do mostka płytkowego. Przed poluzowaniem uchwytu na głośniku należy upewnić się, że zaczepy na mostku zostały zablokowane.
3. Odłączyć złącze, podłączyć okablowanie do złącza i ponownie podłączyć złącze do głośnika. Informacje na temat okablowania można znaleźć w sekcji **Podłączanie okablowania do głośnika** na stronie 54.
4. Dokręcić śruby ramienia kotwiącego, aby zamocować głośnik. W przypadku używania wiertarki udarowej należy ustawić niski moment obrotowy.



OSTRZEŻENIE: zbyt mocne dokręcenie śrub może spowodować uszkodzenie punktu mocowania zaczepu lub sufitu, co może prowadzić do zagrożenia upadkiem.

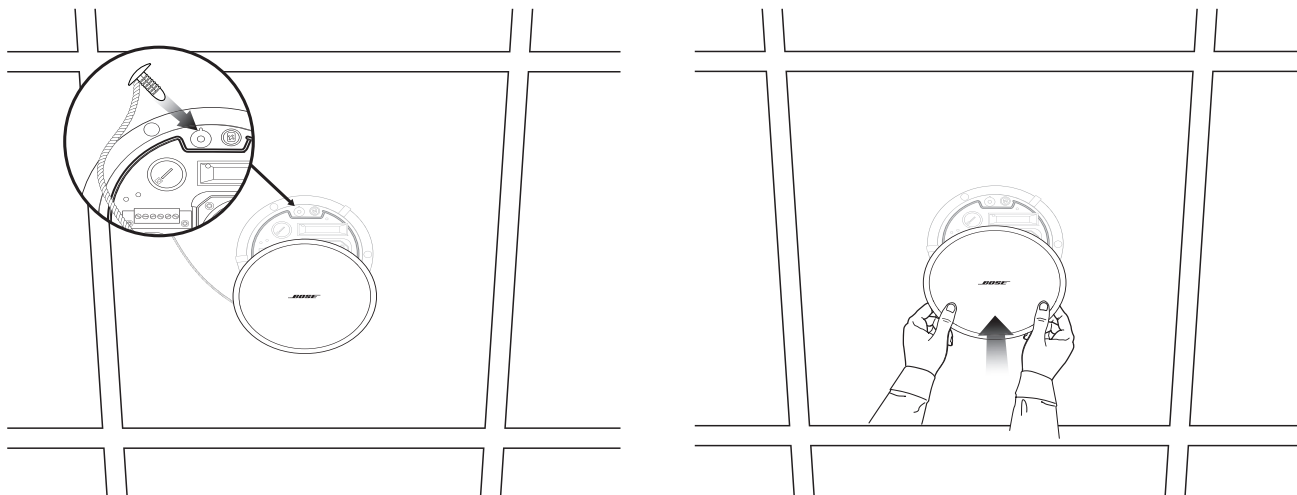


Montaż w suficie twardym z wykorzystaniem podkładki montażowej (nowa konstrukcja)

Informacje na temat instalacji podkładki montażowej można znaleźć w podręczniku instalacji podkładki montażowej DesignMax na stronie **PRO.BOSE.COM**. Po zamontowaniu podkładki montażowej należy zapoznać się z informacjami zawartymi w sekcji **Montaż głośnika** na stronie 56.

Mocowanie osłony głośnika

Włożyć kotek linki bezpieczeństwa do otworu w głośniku. Oburącz nałożyć osłonę na głośnik. Osłona jest mocowana do głośnika magnetycznie.



Informacje dotyczące bezpieczeństwa i zgodności

Głośnik Bose DesignMax DM2C-LP przeszedł testy i jest zgodny z następującymi specyfikacjami i zastosowaniami:

Zgodność z normami ANSI/UL 1480A-2016, Głośniki do bezpiecznego użytku komercyjnego i specjalistycznego

Do zastosowań ogólnych - kategoria UL UEAY, numer pliku S 5591, numer kontrolny 3N89

UL-2043, 2013, Test pożarowy i widzialne uwalnianie dymu dla produktów dyskretnych i ich akcesoriów zainstalowanych w przestrzeniach wentylacyjnych. Nadaje się do użytku w przestrzeniach wentylacyjnych (plenum).

Głośniki nadają się do instalacji przy użyciu okablowania klasy 1, klasy 2 lub klasy 3, zgodnie z normą NFPA 70, National Electric Code, 2017, art. 640

NFPA 70, National Electric Code, 2017, art. 300-22(c).

NFPA 90-A, 2015, Instalacja systemów klimatyzacji i wentylacji, paragraf 4.3.11.2.6.5

Głośnik DesignMax DM2C-LP został zaprojektowany zgodnie z wymaganiami określonymi w następujących europejskich przepisach dotyczących systemów łączonych:

testy zgodne z normą IEC60268-5, 2007.

请阅读并保留所有安全和使用说明。

本产品仅适合由专业安装人员安装！本文档旨在为专业安装人员提供在典型的固定安装系统中安装此产品时适用的基本安装和安全指南。请先阅读本文档和所有安全警告，再尝试安装。

请勿尝试自行维修此产品。所有维修服务必须由授权服务中心、安装人员、技术人员、经销商或分销商提供。要联系 Bose Professional 或查找您附近的经销商或分销商，请访问 PRO.BOSE.COM。

1. 请阅读这些说明。
2. 请保留这些说明。
3. 请注意所有警告。
4. 请遵守所有说明。
5. 请勿在近水区域使用本设备。
6. 只能使用干布进行清洁。
7. 请勿堵塞任何通风口。请按照制造商的说明进行安装。
8. 请勿安装在靠近任何热源的位置，例如暖气片、热调节装置、火炉或可产生热量的其他设备（包括功率放大器）。
9. 只能使用制造商指定的附件/配件。



警告/小心



本产品含有磁性材料。有关这是否会影响到您的植入式医疗器械，请咨询您的医生。

- 所有 Bose 产品的安装必须遵守当地、州、联邦和行业规范。安装人员有责任确保扬声器和安装系统的安装都符合适用的法规，包括当地的建筑法规和规定。安装本产品前，请咨询拥有司法权的当地监管机构。
- 不安全地登高安装或吊装任何重物可能导致严重的人身伤害和财产损失。安装人员有责任评估在其应用中所使用的任何安装方法的可靠性。只有正确了解硬件且掌握安全安装技术的专业安装人员才能尝试安装任何吊装式扬声器。
- 请勿将产品安装在可能发生冷凝的位置。
- 此产品不适合在室内涉水设施区域安装或使用（包括但不限于室内游泳馆、室内水上乐园、有热水浴缸的房间、桑拿房、蒸汽浴室以及室内溜冰场）。
- 请勿将其安装在不结实或有潜在危险的表面，比如布线或铺设管道的地方。如果您不确定如何安装支架，请联系拥有相应资质的专业安装人员。安装支架时，应确保遵循当地建筑规范的要求。
- 仅使用随附安装紧固件和附件或 Bose 指定与 DesignMax DM2C-LP 扬声器配合使用的安装紧固件和附件。有关兼容附件的信息，请参阅 PRO.BOSE.COM 上的产品技术参数表。
- 请将本产品放置到远离火源和热源的地方。请勿将明火源（如点燃的蜡烛）置于本产品上或靠近本产品。
- 未经授权切勿改装本产品。
- 在安装扬声器和相关安装硬件时，请勿对产品本身或在其周边使用任何类型的烃类溶剂、润滑剂或清洗剂。暴露于此类物质中可能会导致产品塑料材料老化，从而导致产品开裂和坠落危险。
- 只能使用干布清洁扬声器。请勿将扬声器暴露在肥皂、清洁剂、矿物油、酒精或其他清洁剂或化学制品中。
- 网罩配有专门的一次性安全绳索。

产品额定值：

输入电压：70V/100V

阻抗：16 Ω, 16 W

电流或功率：(70V): 1.2W、2.3W、4.5W、9W；(100V): 2.3W、4.5W、9W

规范信息



本产品符合所有适用的欧盟指令要求。您可以从以下网址找到完整的合规声明：www.Bose.com/compliance。



本产品符合所有适用的 2016 电磁兼容性法规和所有其他适用的英国法规。符合声明全文载于：www.Bose.com/compliance



此符号表示不得将此产品作为生活垃圾丢弃，应将其送到合适的回收站点进行回收。正确处理和回收有助于保护自然资源、人类健康和环境。想要获得更多关于此产品的处理和回收的信息，请联系当地市政当局、垃圾处理服务部门或您购买此产品的商店。

中国危险物质限用表

有毒或有害物质或元素名称及成分						
零件名称	有毒或有害物质和元素					
	铅 (Pb)	汞 (Hg)	镉 (Cd)	六价铬 (CR(VI))	多溴化联苯 (PBB)	多溴二苯醚 (PBDE)
印刷电路板	X	0	0	0	0	0
金属零件	X	0	0	0	0	0
塑料零件	0	0	0	0	0	0
扬声器	X	0	0	0	0	0
线缆	X	0	0	0	0	0

此表格依据 SJ/T 11364 的要求制定。
 0: 表示此零件中所有均质材料所包含的此类有毒或有害物质均低于 GB/T 26572 中的限定要求。
 X: 表示此零件所用全部均质材料中至少有一种包含的有毒或有害物质高于 GB/T 26572 中的限定要求。



生产日期：序列号中第八位数字表示生产年份；“7”表示 2007 年或 2017 年。

中国进口商：博士视听系统（上海）有限公司，地址：中国（上海）自由贸易试验区日樱北路 353 号，9 号厂房 C 部位

欧洲进口商：Bose Products B.V., Gorslaan 60, 1441 RG Purmerend, The Netherlands

墨西哥进口商：Bose de México, S. de R.L. de C.V., Paseo de las Palmas 405-204, Lomas de Chapultepec, 11000 México, D.F.进口商和服务信息：+5255 (5202) 3545

中国台湾进口商：Bose 台湾分公司，台湾 104 台北市民生东路三段 10 号，9F-A1。电话：+886-2-2514 7676

英国进口商：Bose Limited, Bose House, Quayside Chatham Maritime, Chatham, Kent, ME4 4QZ, United Kingdom

Bose 和 DesignMax 是 Bose Corporation 的商标。

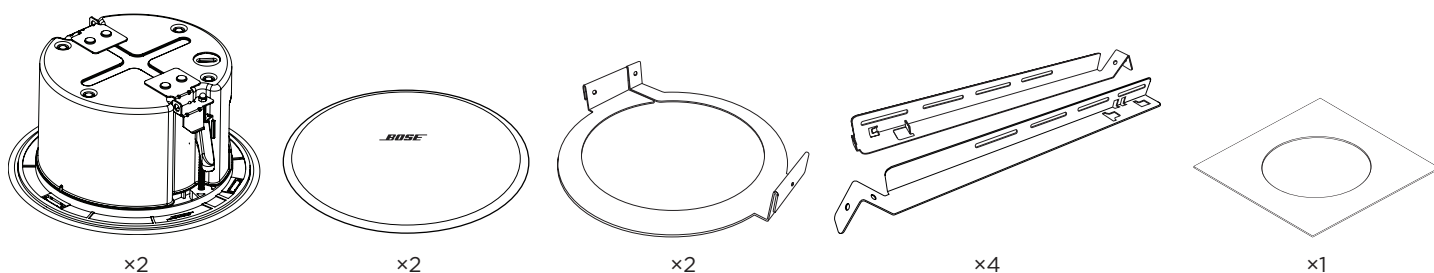
Bose Corporation 总部：1-877-230-5639

©2021 Bose Corporation。未经事先书面许可，不得复制、修改、分发或以其他方式使用本文档的任何部分。

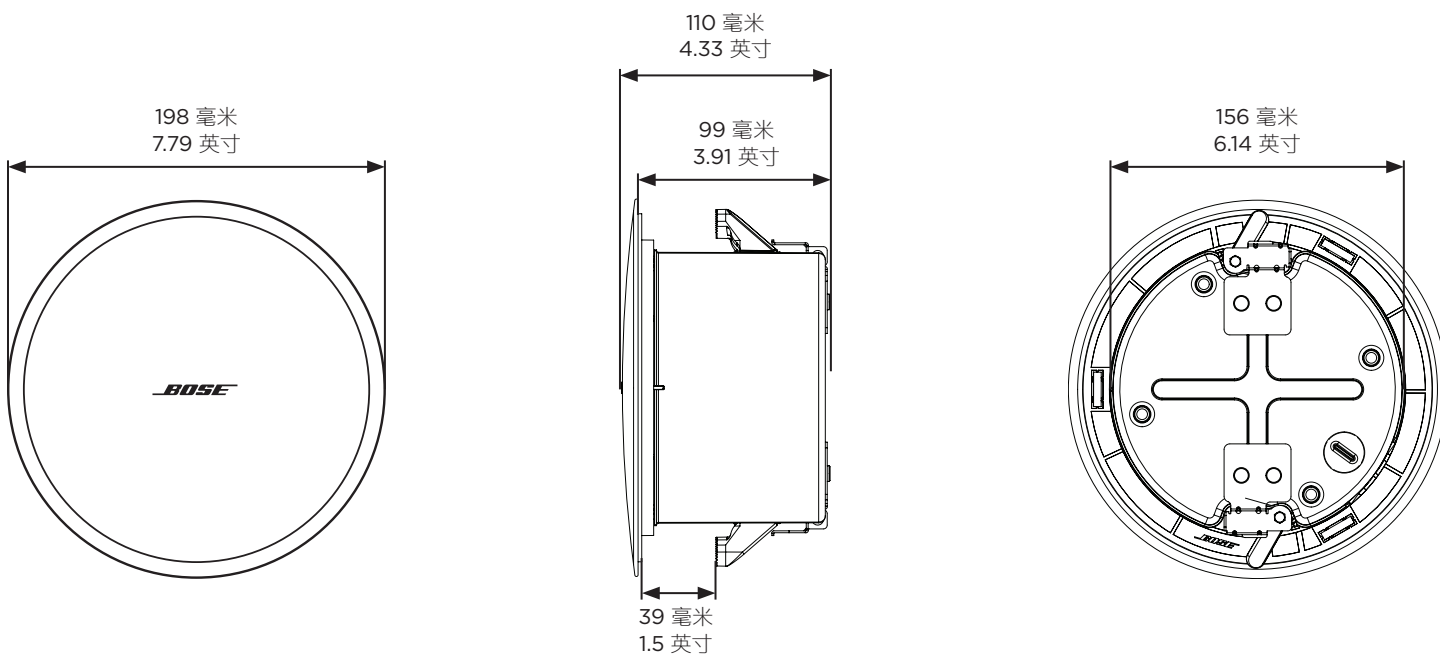
质保信息

本产品享有有限保修。
 有关质保的详细信息，请访问 PRO.BOSE.COM。

包装清单



产品尺寸



技术规格

有关其他规格，请参阅 PRO.BOSE.COM 上的 DesignMax DM2C-LP 技术参数表。

外观	
产品尺寸	网罩直径: 198 毫米 (7.79 英寸)
	外壳直径: 156 毫米 (6.14 英寸)
	后盖深度: 99 毫米 (3.91 英寸)
开孔	165 毫米 (6.5 英寸)
天花板最大厚度	39 毫米 (1.5 英寸)
带网罩的扬声器净重 (单个)	1.63 千克 (3.6 磅)
桥板净重 (单个)	0.72 千克 (1.6 磅)
装运重量 (成对)	5.99 千克 (13.2 磅)

重要安装信息



安装人员有责任确保扬声器和安装系统的安装都符合适用的法规，包括当地的建筑法规和规定。安装本产品前，请咨询拥有司法权的当地监管机构。

安装人员负责确保扬声器安装的安全。如果未正确安装扬声器，可能导致损坏或人员伤亡。

请勿将产品安装在可能发生冷凝的位置。



此产品不适合在室内涉水设施区域安装或使用（包括但不限于室内游泳馆、室内水上乐园、有热水浴缸的房间、桑拿房、蒸汽浴室以及室内溜冰场）。

请勿将其安装在不结实或有潜在危险的表面，比如布线或铺设管道的地方。如果您不确定如何安装支架，请联系拥有相应资质的专业安装人员。安装支架时，应确保遵循当地建筑规范的要求。

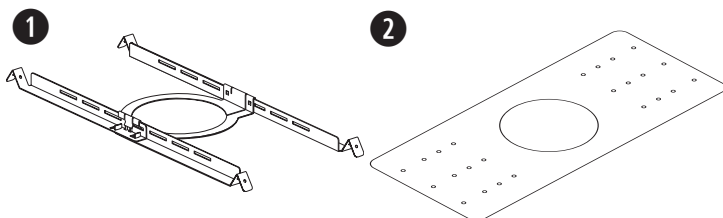


在安装此扬声器和相关的安装硬件时，请勿对产品本身或在其周边使用任何类型的烃类溶剂、润滑剂或清洗剂。暴露于此类物质中可能会导致产品塑料材料老化，从而导致产品开裂和坠落危险。

安装选项

安全选件和配件

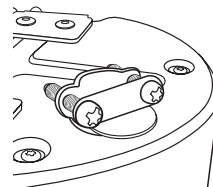
- ① 可调节桥板 (内含)
- ② 螺丝孔型桥板 (可选)



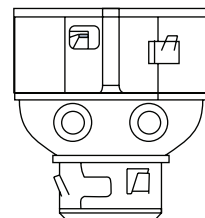
导管配件

如果使用金属软管, 请使用 $\frac{3}{8}$ 英寸的单导管配件, 或 $\frac{3}{8}$ 英寸的双连接件。

注意: 不提供导管配件。



$\frac{3}{8}$ 英寸单软管



$\frac{3}{8}$ 英寸双连接件输入/环出

选择安装方法

① 顶部进线

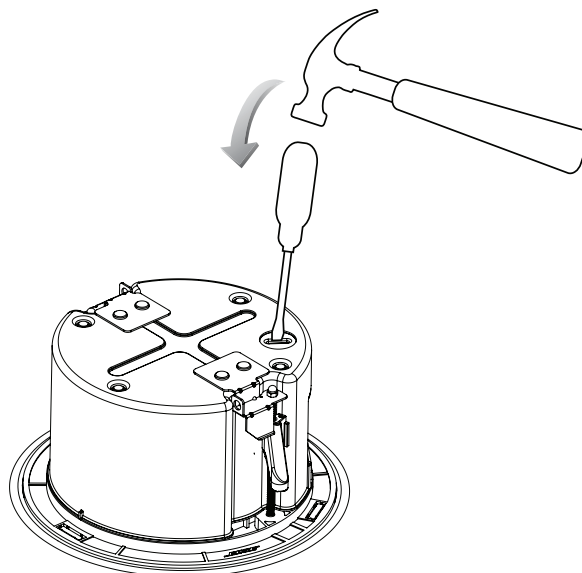
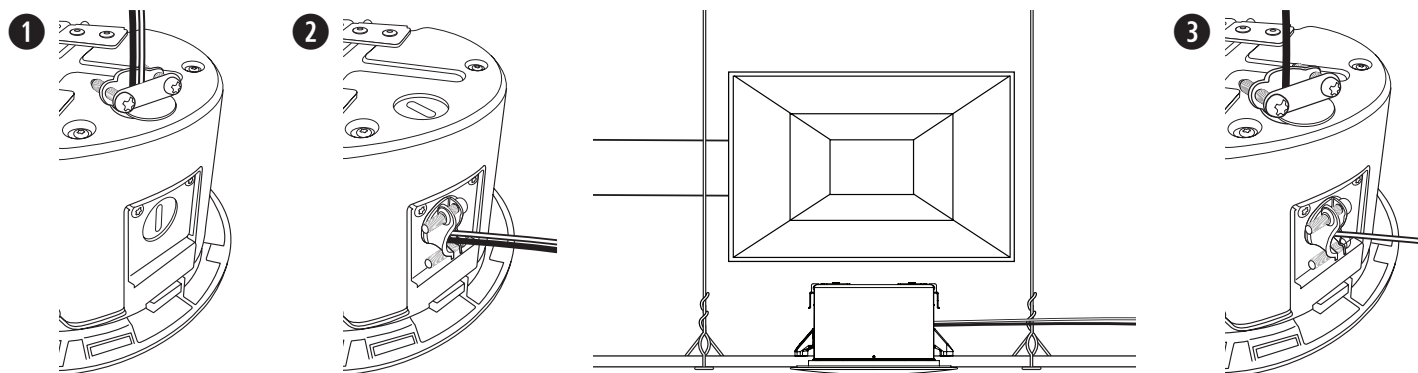
当天花板上方有可用空间时, 请使用顶部进线。

② 侧面进线

当天花板上方空间有限时, 请使用侧面进线。

③ 双孔进线

当需要采用独立的信号输入和环出的布线方案, 且天花板上方有可用空间时, 请使用双孔进线。



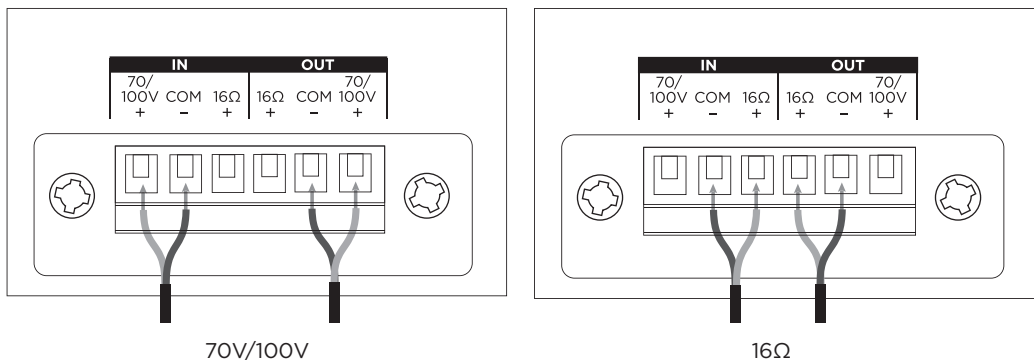
扬声器接线

线规

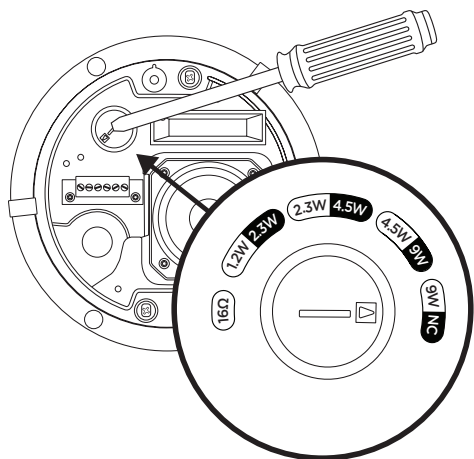
DesignMax DM2C-LP 扬声器仅可与 18 AWG (0.8 平方毫米) 至 14 AWG (2.1 平方毫米) 规格的接线一起使用。

接线图

露出六毫米 (1/4 英寸) 长的裸线以连接到端子。



扬声器设置



70V				16Ω
1.2W	2.3W	4.5W	9W*	
2.3W	4.5W	9W	NC**	
100V				

* 出厂默认设置

** NC: 无连接 (不使用)

变压器抽头设置

转动设置抽头。使用平头螺丝刀。

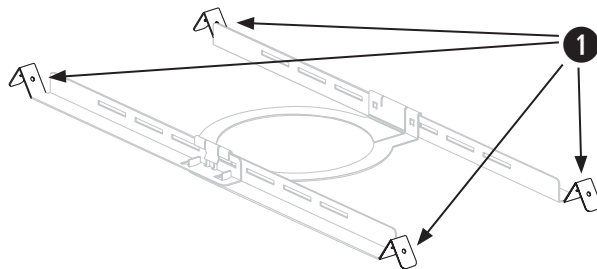
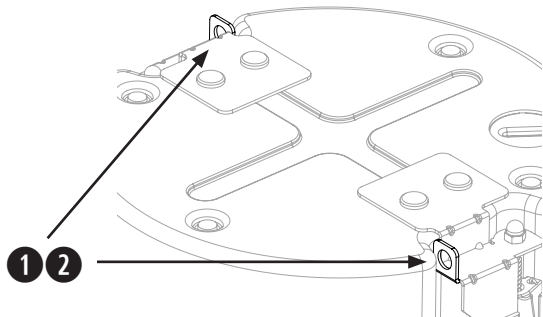
准备安装

使用安全绳索

某些地区的施工规范要求使用辅助方法将扬声器固定到支撑结构，以提供额外的安全保障。选择符合当地建筑规范和条例的安装位置、方法和硬件。

Bose 建议使用 (1) 一根保险钢丝或 (2) 一根安全绳作为辅助固定装置。有关安全连接点，请参阅下图。

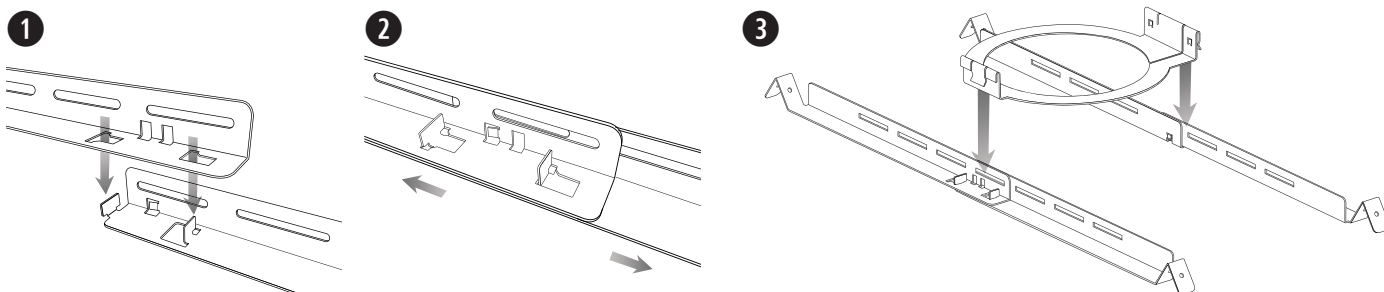
对于已实施的任何辅助固定装置，请遵循制造商的说明。



组装桥板

注意：如果您要安装到硬质天花板，请在导轨和扣圈插入开孔后组装桥板（请参见第 63 页）。

1. 对齐导轨并将卡舌插入槽口。
2. 向外拉动导轨以将其固定在一起。
3. 将导轨彼此平行对齐，然后向下按压桥板扣圈，以将扣圈固定到导轨上。

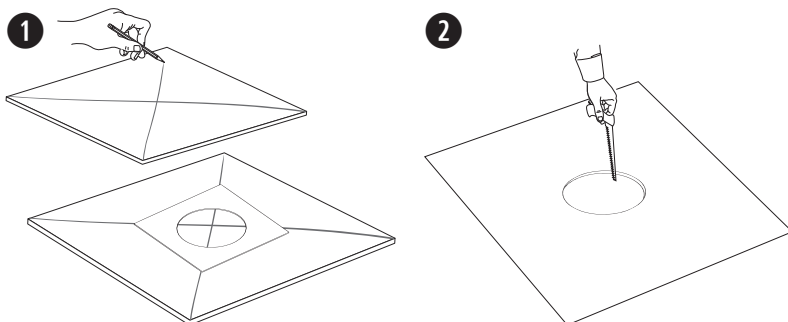


注意：安装在靠近烹饪台的位置（例如在商业烹饪环境中）时，扬声器可能直接暴露在烹饪油烟之下，这可能会降低扬声器的性能或可靠性。

准备吊顶板

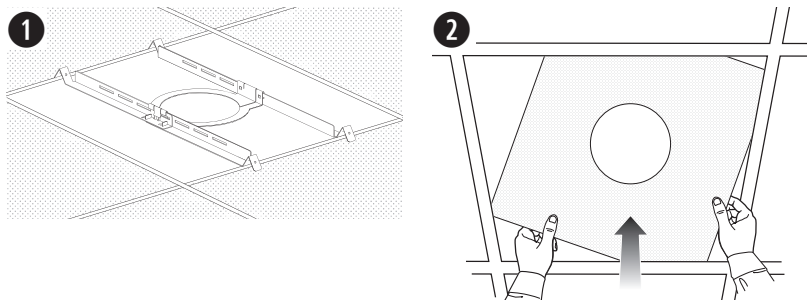
切割吊顶板

1. 卸下吊顶板，然后使用模板在吊顶板上描画扬声器孔。为了将模板放在吊顶板的中心位置，可连接对角线画一个“X”，然后利用交叉点使模板居中。
2. 在吊顶板上切割一个孔。



安装桥板

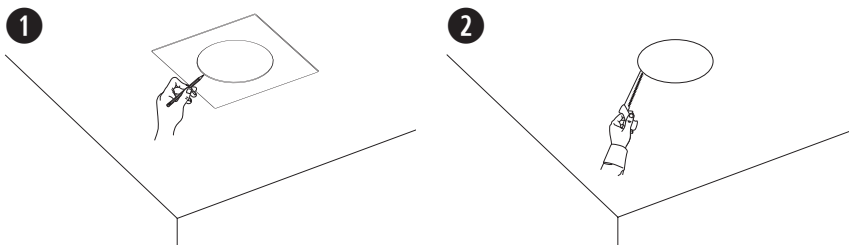
1. 将组装的桥板穿过吊顶龙骨放置。必要时，调节桥板，使滑轨靠在吊顶龙骨上。
2. 更换天花板上的吊顶板。



准备硬顶天花板（现有结构）

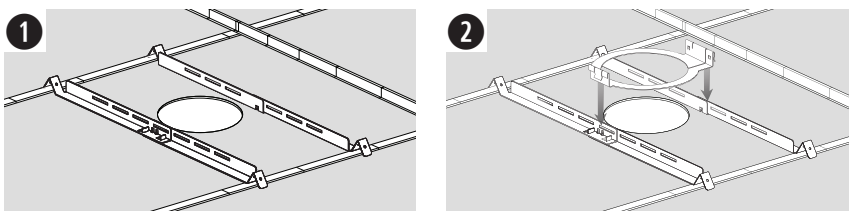
切割天花板

1. 使用模板将孔描到天花板上。
2. 在天花板上切割一个孔。



安装桥板

1. 将桥板和扣圈插入孔眼，并将导轨平行放置在天花板龙骨或天花板内垫条上。
2. 组装桥板。

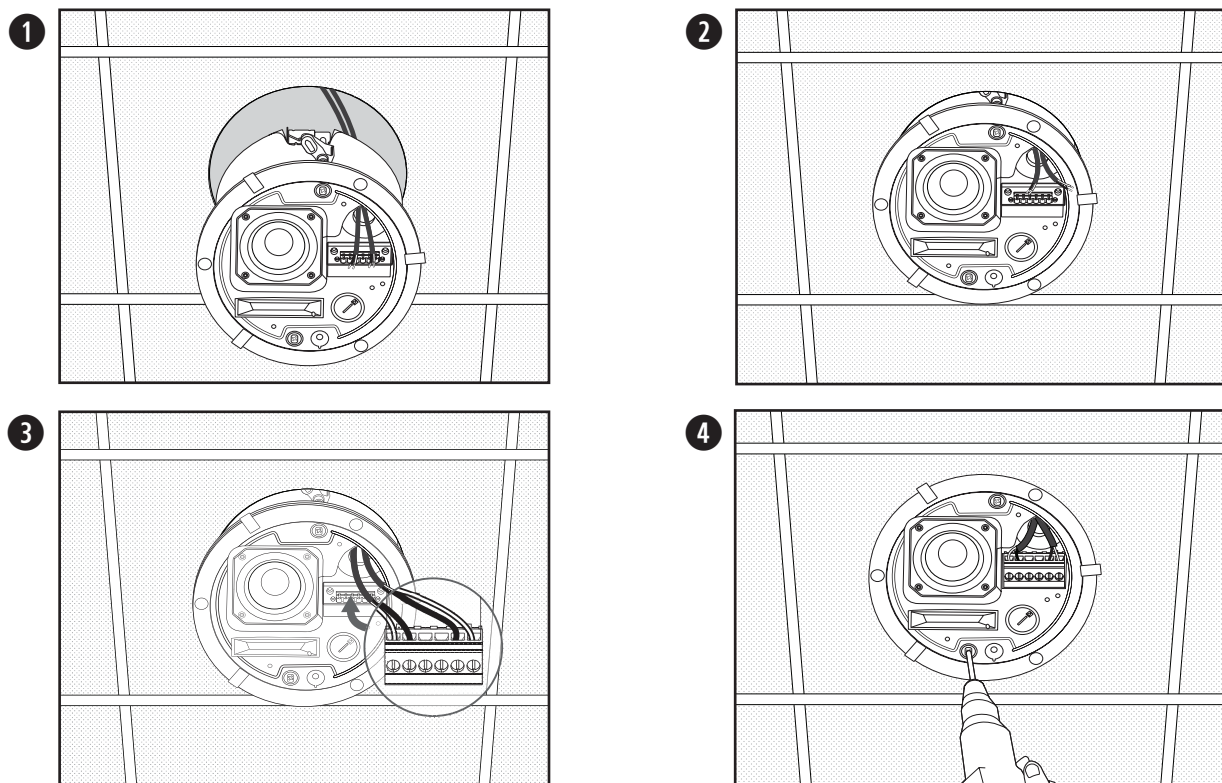


安装扬声器

1. 将音响线穿过进线口。
2. 将扬声器穿过孔插入桥板。松开扬声器上的手柄之前，请确保锚栓与桥板接合。
3. 拔下接口，连接接口，然后将接口重新插入扬声器。有关接线信息，请参阅第 61 页的扬声器接线。
4. 紧固锚臂螺钉，固定扬声器。如果使用电钻，请设为低扭矩设置。



警告：过度紧固螺钉可能会导致锚柱安装点或天花板损坏，从而导致坠落危险。

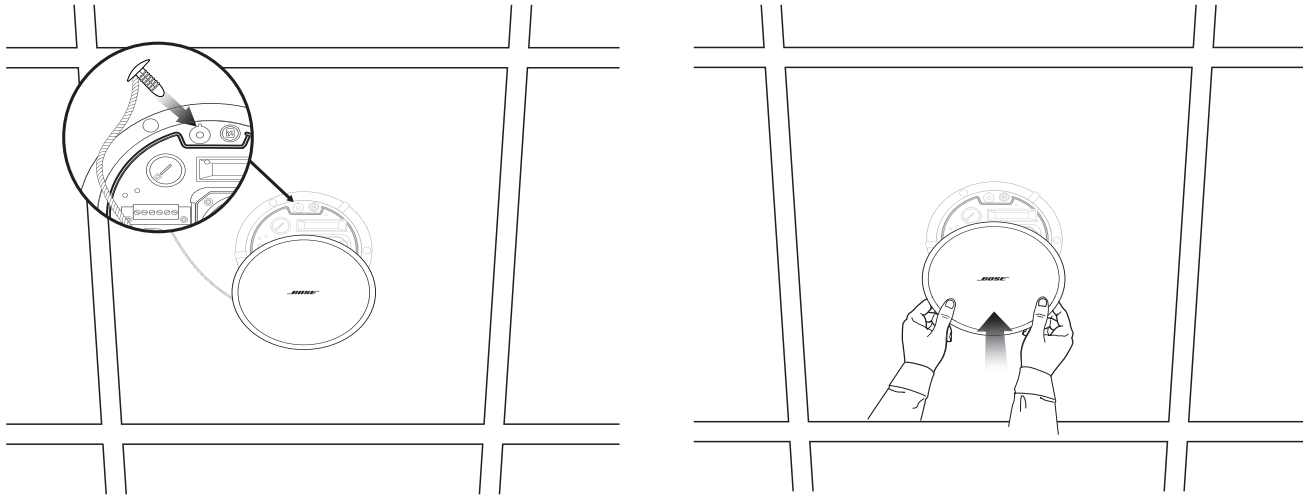


使用螺丝孔型桥板在硬顶天花板上安装（新结构）

有关螺丝孔型桥板的信息，请参阅 **PRO.BOSE.COM** 上的 DesignMax 螺丝孔型桥板安装指南。安装好螺丝孔型桥板后，请参阅第 63 页的**安装扬声器**。

安装网罩

将安全绳销插入扬声器中的孔。用双手将网罩定位在扬声器上。网罩通过磁力固定在扬声器上。



安全与法规遵从

Bose DesignMax DM2C-LP 扬声器经过测试，符合以下规格和用途：

列出的扬声器符合 ANSI/UL 1480A-2016，适合商业和安全专业用途

通用 - UL 类别 UEAY，文件号 S 5591 控制号 3N89

UL-2043 (2013)，在空气调节场所中安装的分离性产品及其附件的防火测试及可见烟雾释放。适合在空气调节（微高压）场所中使用。

适合使用 1 级、2 级、3 级接线方法安装，符合 NFPA 70 美国国家电气法规 (2017) 第 640 条

NFPA 70 美国国家电气法规 (2017)，第 300-22(c) 条

NFPA 90-A (2015)，空调和通风系统的安装，第 4.3.11.2.6.5 节

DesignMax DM2C-LP 扬声器是根据以下有关组合系统的欧洲监管规范中规定的要求进行设计的：

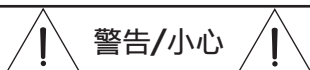
按照 IEC60268-5 (2007) 标准进行测试。

請閱讀並保管好所有安全和使用指示。

本產品僅限由專業安裝人員安裝！本文件包含本產品採一般固定式安裝系統時的相關基本安裝資訊與安全基準，以供專業安裝人員參考。在嘗試進行安裝以前，請先閱讀本文件與所有的安全警告。

請勿自行維修本產品。如需任何維修服務，請洽授權服務中心、安裝人員、技術人員、經銷商或分銷商。若要聯絡 Bose Professional 或尋找附近的經銷商或分銷商，請造訪 PRO.BOSE.COM。

1. 閱讀這些指示。
2. 保留這些指示。
3. 注意所有警告。
4. 遵守所有指示。
5. 請勿在水邊使用此裝置。
6. 只能用乾布清潔。
7. 請勿堵塞任何通風口。請按照製造商的指示安裝。
8. 請勿在熱源附近安裝，如暖氣片、熱調節裝置、火爐或可發熱的其他裝置（包括擴大機）。
9. 只能使用製造商指定的附件/配件。



本產品含有磁性材料。請諮詢醫生以瞭解這是否會影響您的植入式醫療設備。

- 所有 Bose 產品的安裝必須遵守當地、州、聯邦和行業規範。安裝人員有責任確保揚聲器和安裝系統的裝設都符合適用的法規，包括當地的建築法規和規定。安裝本產品前，請諮詢擁有司法權的當地政府機關。
- 以不安全的方式安裝或高處懸吊任何重物都可能導致嚴重的人身傷害或死亡，以及財產損失。安裝人員須負責評估其應用情形中所採用之任何安裝方式是否穩定可靠。只有具備適當五金部件知識與安全安裝技術的專業安裝人員，才可嘗試安裝任何高處懸吊揚聲器。
- 請勿將產品安裝於可能結露的位置。
- 本產品並不適合安裝或用於室內有水設施區域（包括但不限於：室內泳池、室內戲水區、熱水浴池、桑拿、蒸氣室與室內溜冰場等）。
- 請勿安裝在不穩定或有潛在危險的表面，比如佈線或鋪設管道的地方。如果您不確定如何安裝本支架，請聯絡合格的專業安裝人員。請務必遵循當地建築法規安裝支架。
- 僅限使用 Bose 隨附或指定用於 DesignMax DM2C-LP loudspeakers 揚聲器的五金部件與配件。如需相容配件的相關資訊，請參閱 PRO.BOSE.COM 上的產品技術資料表。
- 使產品遠離火源和熱源。請勿將明火火源（例如點燃的蠟燭）置於本產品上或本產品附近。
- 未經授權請勿擅自改裝本產品。
- 安裝期間，請勿於本揚聲器和相連五金部件之上或附近使用任何種類的碳氫溶劑、潤滑劑或清潔劑。接觸該等物質會使塑膠材質劣化，進而導致破裂並產生墜落危險。
- 請僅使用乾布來清潔揚聲器。請勿使揚聲器接觸肥皂、去污劑、礦物油、酒精或其他清潔劑或化學品。
- 網罩配備一次性安全短繩針。

產品額定值：

輸入電壓：70V/100V

阻抗：16 Ω, 16 W

電流或功率：(70V): 1.2W、2.3W、4.5W、9W；(100V): 2.3W、4.5W、9W

法規資訊



本產品符合所有適用的歐盟指令要求。符合聲明全文載於：
www.bose.com/compliance。



本產品符合所有適用的 2016 電磁相容性法規和其他適用的英國法規。您可以從以下位置找到完整的符合聲明：
www.bose.com/compliance



此符號表示本產品不得以家庭廢棄物方式丟棄，而應將其送到合適的收集設施進行回收。妥善處理及回收有助於保護天然資源、人類健康和環境。如欲獲得有關處理和回收本產品的更多資訊，請聯絡當地政府機關、廢棄物處理服務或您購買本產品的商家。

台灣 BSMI 限用物質含有情況標示

設備名稱：揚聲器		型號：801332				
裝置	限制物質及其化學符號					
	鉛 (Pb)	汞 (Hg)	鎘 (Cd)	六價鉻 (Cr+6)	多溴化聯苯 (PBB)	多溴聯苯醚 (PBDE)
印刷電路板	-	○	○	○	○	○
金屬零件	-	○	○	○	○	○
塑膠零件	○	○	○	○	○	○
揚聲器	-	○	○	○	○	○
連接線	-	○	○	○	○	○

備註 1：「○」表示限制物質的濃度百分比含量未超過參考值。
備註 2：「-」表示限制物質屬於豁免項目範圍。

製造日期：序號第八位數代表製造年份；「7」代表 2007 或 2017。

中國進口商：Bose Electronics (Shanghai) Company Limited, 中國 (上海) 自由貿易試驗區日豐北路 353 號 9 號廠房 C 部

歐盟進口商：Bose Products B.V., Gorslaan 60, 1441 RG Purmerend, The Netherlands

墨西哥進口商：Bose de México, S. de R.L. de C.V., Paseo de las Palmas 405-204, Lomas de Chapultepec, 11000 México, D.F.進口商與服務資訊：+5255 (5202) 3545

台灣進口商：Bose 台灣分公司，台灣 104 台北市民生東路三段 10 號 9 樓 A1 室。電話號碼：+886-2-2514 7977

英國進口商：Bose Limited, Bose House, Quayside Chatham Maritime, Chatham, Kent, ME4 4QZ, United Kingdom

Bose 和 DesignMax 是 Bose Corporation 的商標。

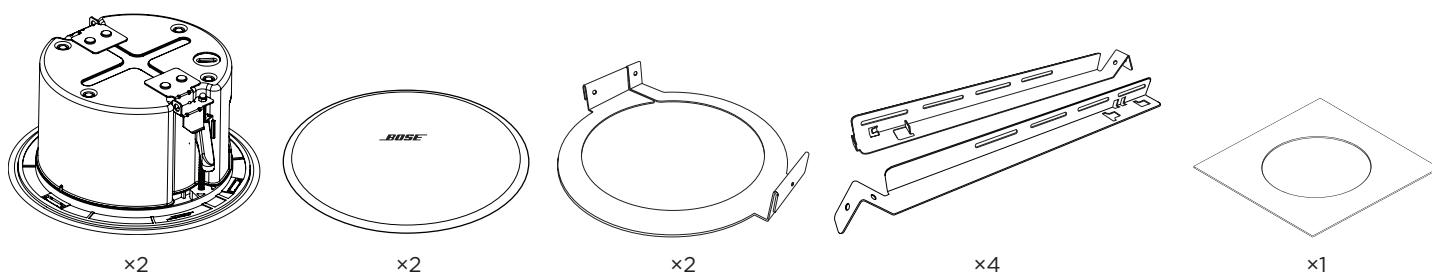
Bose Corporation 總部：1-877-230-5639

©2021 Bose Corporation。未經事先書面許可，不得複製、修改、散佈或以其他方式使用本資料的任何部分。

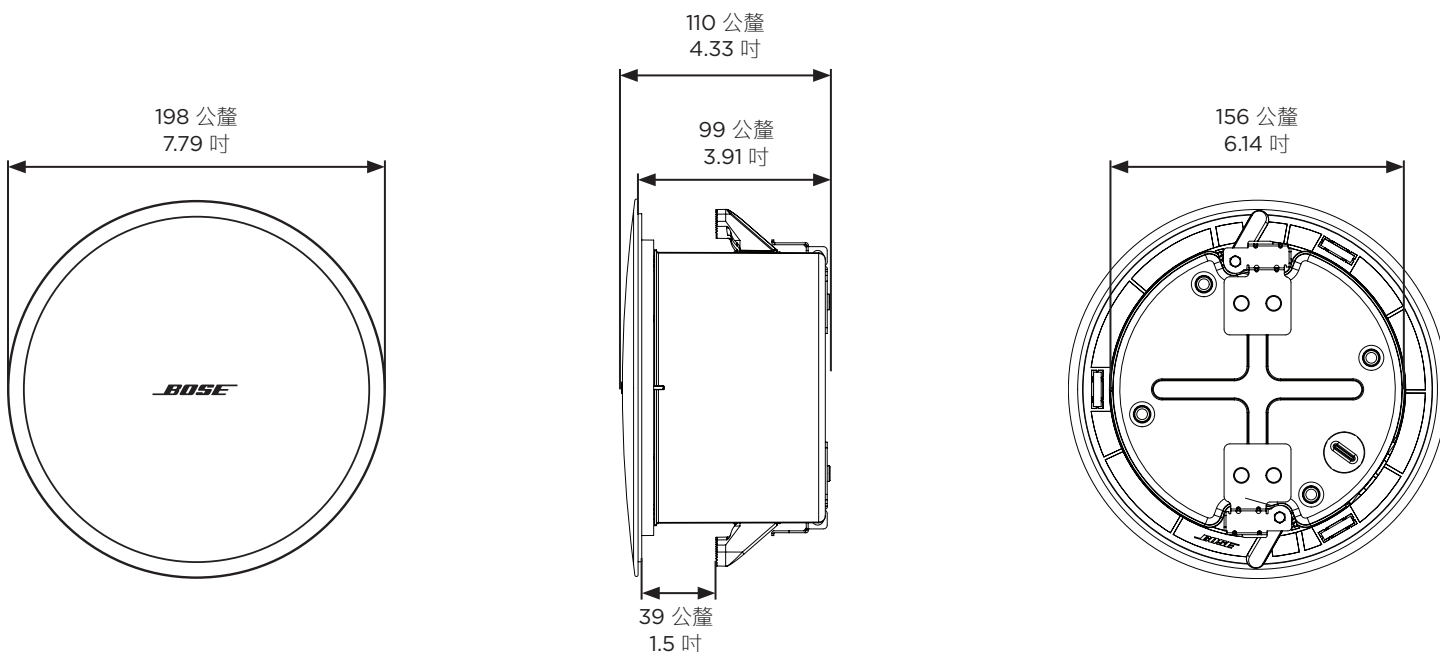
保固資訊

此產品享有有限保固。
如需保固詳細資料，請造訪 PRO.BOSE.COM。

包裝內容物



產品尺寸



技術規格

如需其他規格資訊，請參閱 PRO.BOSE.COM 上的 DesignMax DM2C-LP 技術資料表。

外觀	
產品尺寸	網罩直徑: 198 公釐 (7.79 吋)
	外殼直徑: 156 公釐 (6.14 吋)
	背殼深度: 99 公釐 (3.91 吋)
孔洞	165 公釐 (6.5 吋)
天花板最大厚度	39 公釐 (1.5 吋)
淨重, 揚聲器加網罩 (單件)	1.63 公斤 (3.6 磅)
淨重, 天花板跨橋板 (單件)	0.72 公斤 (1.6 磅)
裝運重量 (成對)	5.99 公斤 (13.2 磅)

重要安裝資訊



安裝人員有責任確保揚聲器和安裝系統的裝設都符合適用的法規，包括當地的建築法規和規定。安裝本產品前，請諮詢擁有司法權的當地政府機關。

安裝人員須負責確保揚聲器安裝的安全。若未正確安裝揚聲器，則可能導致損害、傷害或死亡。

請勿將產品安裝於可能結露的位置。



本產品並不適合安裝或用於室內有水設施區域 (包括但不限於: 室內泳池、室內戲水區、熱水浴池、桑拿、蒸氣室與室內溜冰場等)。

請勿安裝在不穩定或有潛在危險的表面，比如佈線或鋪設管道的地方。如果您不確定如何安裝本支架，請聯絡合格的專業安裝人員。請務必遵循當地建築法規安裝支架。

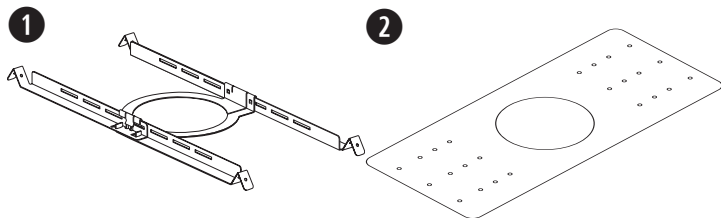


安裝期間，請勿於本揚聲器和相連五金部件之上或附近使用任何種類的碳氫溶劑、潤滑劑或清潔劑。接觸該等物質會使塑膠材質劣化，進而導致破裂並產生墜落危險。

安裝選項

安裝選項與配件

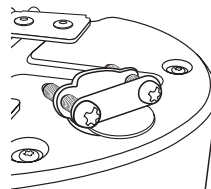
- ❶ 可調式天花板跨橋板 (隨附)
- ❷ 放樣板 (選配)



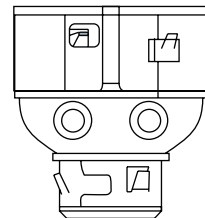
導管接頭

若使用金屬軟管，請搭配使用 $\frac{3}{8}$ 吋導管接頭或 $\frac{3}{8}$ 吋雙連接器 (雙工連接器)。

備註：本產品並未隨附導管接頭。



$\frac{3}{8}$ 吋單工連接器



$\frac{3}{8}$ 吋雙工連接器/
Loop 連接器

選擇安裝方法

❶ 頂部線孔

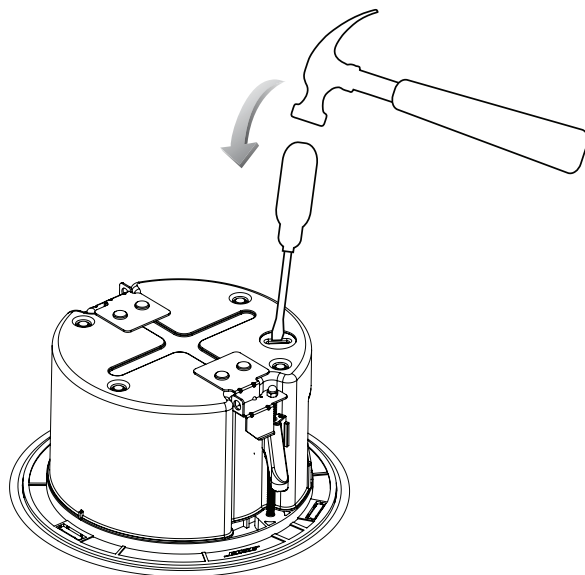
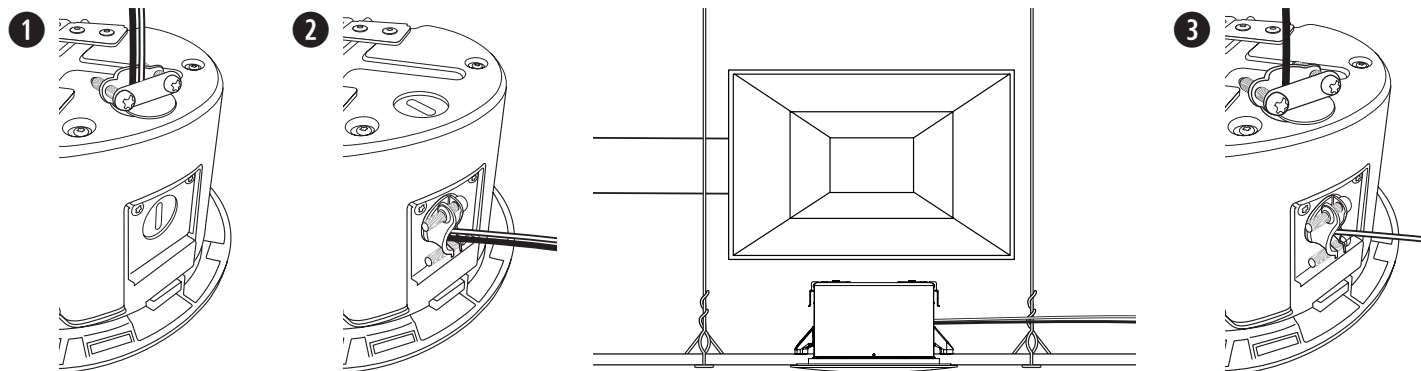
天花板上方有可用空間時，請使用頂部線孔。

❷ 側邊線孔

天花板上方空間有限時，請使用側邊線孔。

❸ 兩種線孔

如需獨立訊號輸入及訊號輸出佈線設計，且天花板上方有可用空間時，請使用兩種線孔。



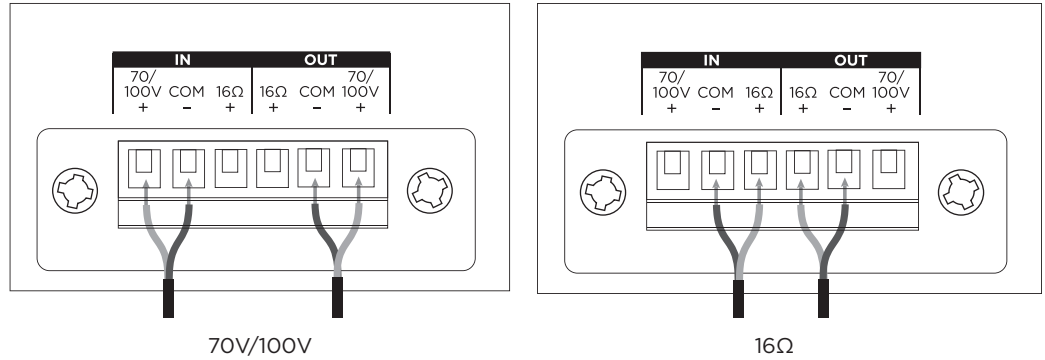
揚聲器接線

線規

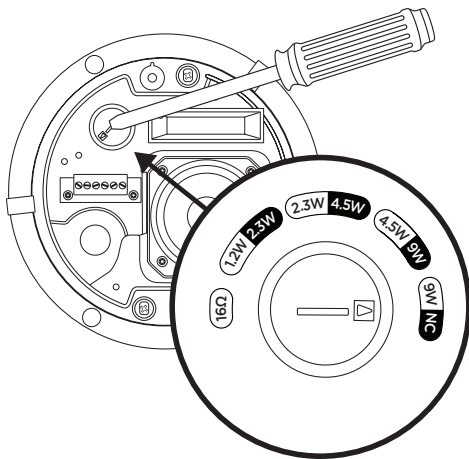
DesignMax DM2C-LP loudspeaker 揚聲器的設計僅可使用 18 AWG (0.8 mm²) 至 14 AWG (2.1 mm²) 的線材。

接線圖

露出六公釐 (¼ 吋) 的裸線以連接至端子。



揚聲器設定



70V				16Ω
1.2W	2.3W	4.5W	9W*	
2.3W	4.5W	9W	NC**	
100V				

* 原廠預設

** NC: 無連線 (請勿使用)

變壓器抽頭設定

轉動以設定抽頭功率。請使用平頭螺絲起子。

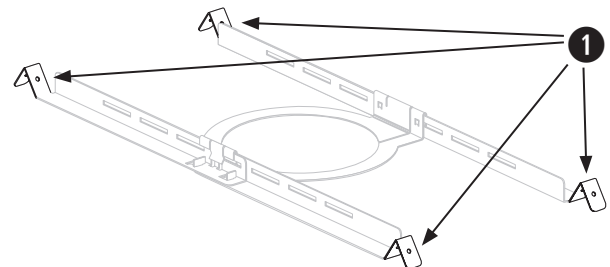
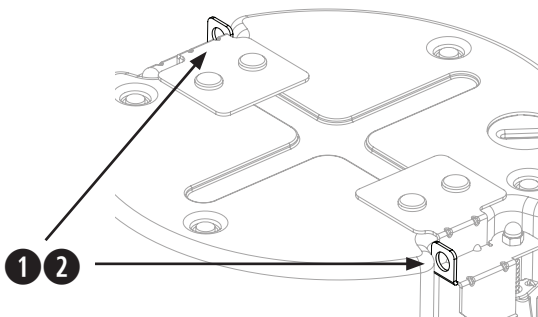
安裝準備

使用安全纜線

部分地區的建築法規要求使用輔助方式固定揚聲器以增強結構支撐力，加強安全性。請遵守當地的建築法規和規定，選擇合適的安裝位置、方式和五金部件。

Bose 建議使用 (1) 安全索或 (2) 安全纜索來作為輔助固定機制。請參見下圖，瞭解安全安裝點。

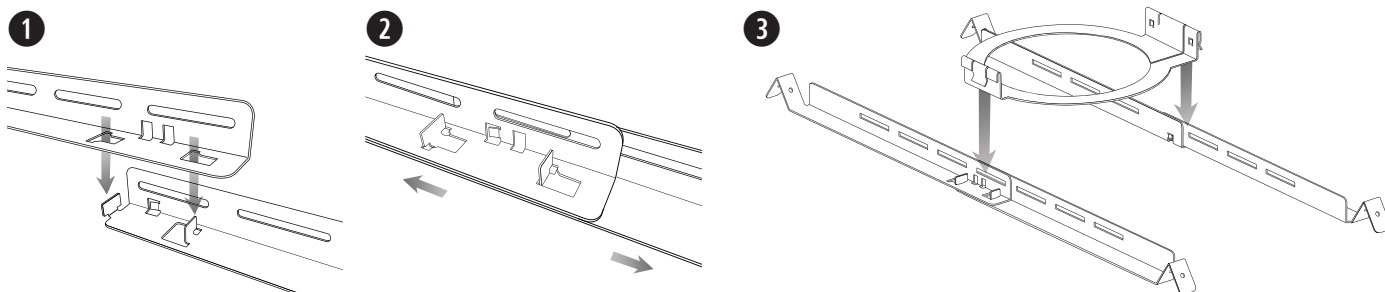
請遵守製造商的指示來施作任何輔助固定機制。



組裝天花板跨橋板

備註：若安裝於硬式天花板，請將軌道及圓環穿過孔洞後，再組裝天花板跨橋板（請參閱第 70 頁）。

1. 對準軌道並將凸耳插入凹槽。
2. 將軌道兩端往外拉，以固定在一起。
3. 使兩段軌道彼此平行，將天花板跨橋板環下壓，將圓環固定於軌道上。

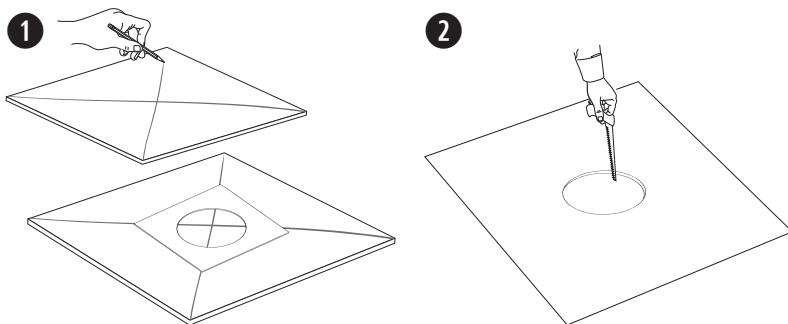


備註：若揚聲器安裝的位置靠近料理檯面，便可能直接接觸烹調油脂（例如商業料理環境），恐因此降低揚聲器的效能或功能性。

吸音天花板板材準備工作

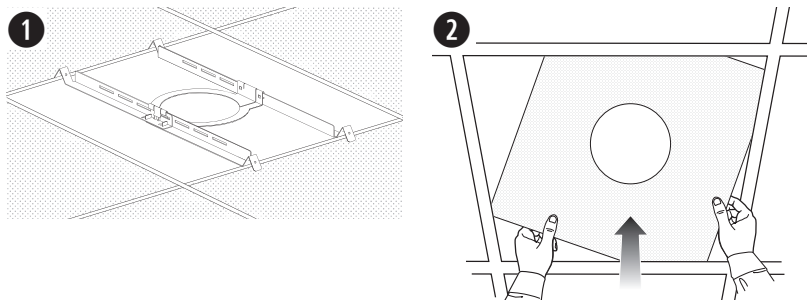
裁切天花板板材

1. 取下天花板板材，然後使用定位卡將揚聲器孔洞描繪於板材上。為將定位卡置於板材正中央，請自四個角畫出交叉的對角線，利用交叉點將定位卡置中。
2. 在板材上裁切出一個孔洞。



安裝天花板跨橋板

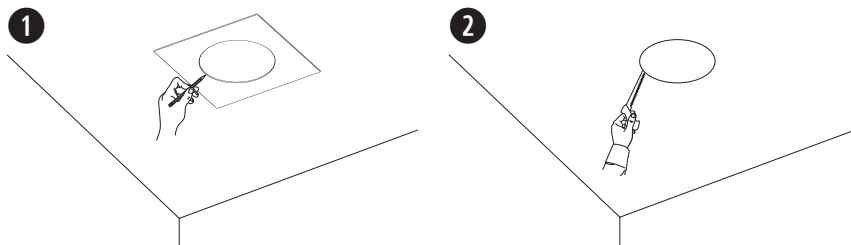
1. 將組裝好的天花板跨橋板架在天花板框架上。可視情況需要調整天花板跨橋板，使軌道緊貼天花板框架。
2. 將板材裝回天花板。



硬式天花板 (現有工程) 準備工作

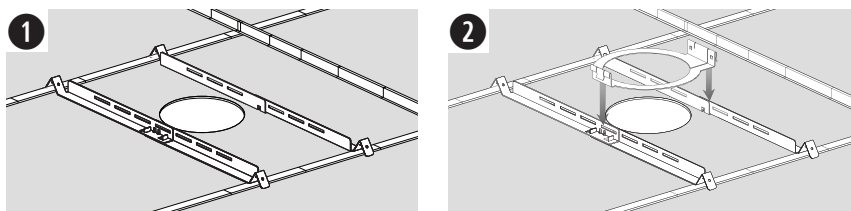
裁切天花板

1. 使用定位卡將孔洞描繪於天花板上。
2. 在天花板上裁切出一個孔洞。



安裝天花板跨橋板

1. 將天花板跨橋板軌道及圓環穿過孔洞，讓兩段軌道呈平行，架在天花板框架或天花板角材上。
2. 組裝天花板跨橋板。

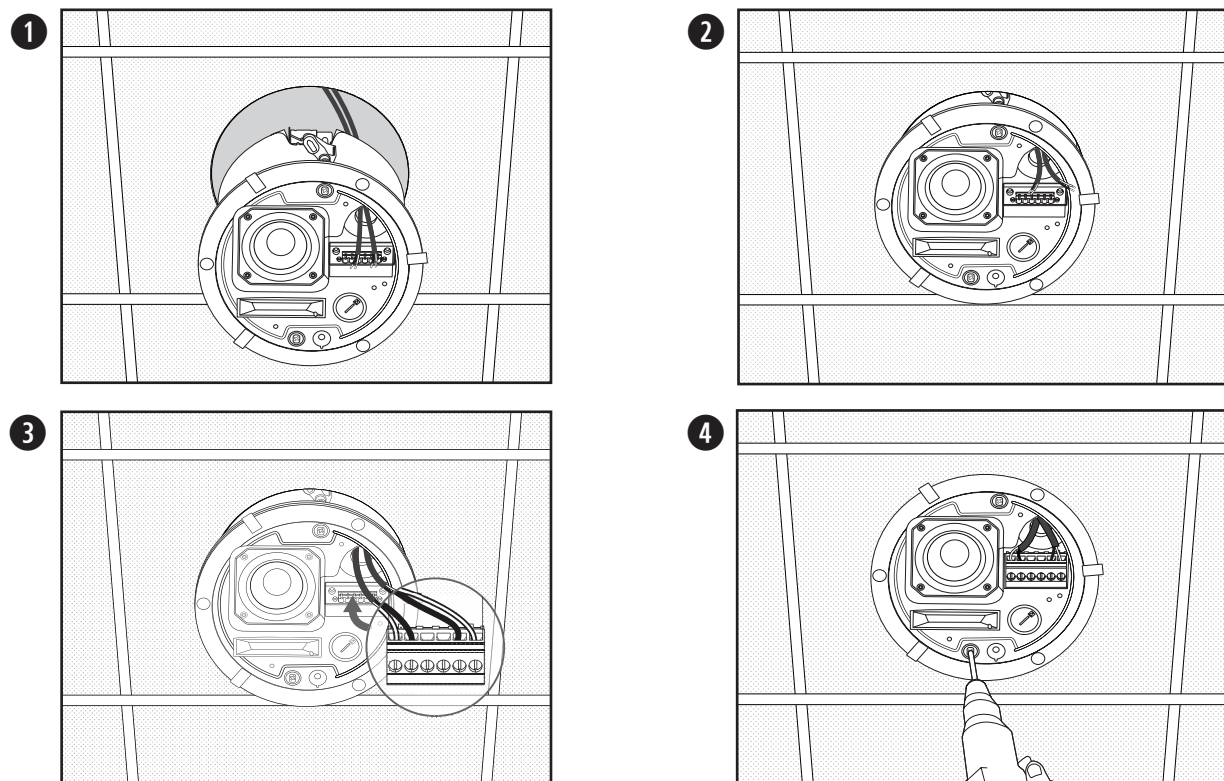


安裝揚聲器

1. 將音訊佈線穿過配線開口。
2. 將揚聲器穿過孔洞並置入天花板跨橋板。在放開揚聲器之前，請務必確認錨座已確實與天花板跨橋板接合。
3. 取下連接器，將連接線接入連接器，然後將連接器重新插入揚聲器。如需瞭解配線資訊，請參見第 68 頁「揚聲器接線」。
4. 鎖緊錨座支臂螺絲以固定揚聲器。如果使用電動工具，請調整為低扭力設定。



警告： 螺絲過度鎖緊可能會對錨座安裝點或天花板造成損壞，進而導致墜落危險。

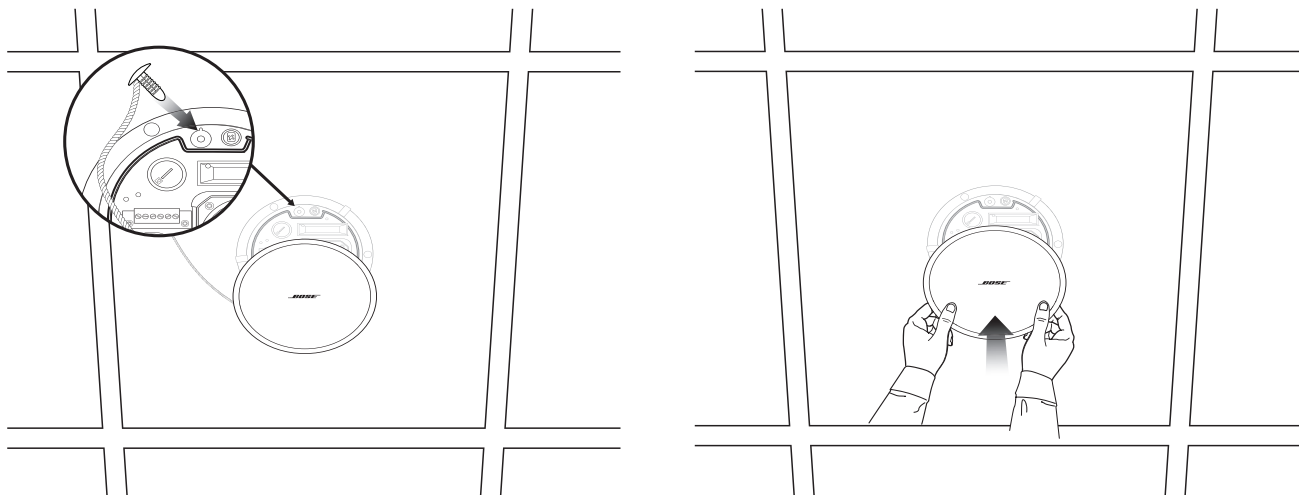


使用放樣板在硬式天花板安裝揚聲器 (新建工程)

如需安裝放樣板的相關資訊，請參閱 **PRO.BOSE.COM** 上的《DesignMax 放樣板安裝指南》。放樣板安裝完成之後，請參見第 70 頁「安裝揚聲器」。

安裝網罩

將安全短繩針插入揚聲器的孔洞。請使用雙手將網罩對準揚聲器。網罩會以磁力吸附在揚聲器上。



安全與規章遵循

Bose DesignMax DM2C-LP loudspeaker 揚聲器通過測試，且符合下列規格及用途：

名列 ANSI/UL 1480A-2016 適合商業及安全專業用途的揚聲器

一般用途 - UL Category UEAY，案號 S 5591，控制號 3N89

UL-2043，2013 年，《Fire Test and Visible Smoke Release for Discrete Products and their Accessories Installed in Air Handling Spaces》(裝於空氣調節空間之分離性產品及其配件的防火測試及可視煙霧釋放)。適合用於空氣調節 (氣室) 空間。

根據 NFPA 70 2017 年《National Electrical Code》(美國國家電氣規程) 第 640 條，適合使用 Class 1、Class 2、Class 3 配線方式安裝

NFPA 70，2017 年，《National Electrical Code》(美國國家電氣規程) 第 300-22(c) 條

NFPA 90-A，2015 年，《Installation of Air Conditioning and Ventilation Systems》(空調與排氣系統安裝)，第 4.3.11.2.6.5 項

DesignMax DM2C-LP loudspeaker 揚聲器的設計符合下列歐洲組合系統法規所定義之要求：

經測試符合 IEC60268-5，2007 年

安全上の留意項目および使用方法をよく読み、いつでも参照できるように保管してください。

本製品は、専門の施工業者による設置のみを想定した製品です。本書は、一般的な固定設置システムにおける本製品を対象に、基本的な設置と安全上のガイドラインを施工業者様に提供します。設置する前に、本書とすべての安全に関する警告をお読みください。

ご自身で製品を修理しないでください。修理が必要な際には、正規サービスセンター、ボーズ認定の施工業者、技術者、ディーラーまたはディストリビューターにお問い合わせください。Bose Professionalに連絡する、またはお近くのディーラーまたはディストリビューターを検索するには、**PRO.BOSE.COM**にアクセスしてください。

1. このガイドをよくお読みください。
2. 必要な時にご覧になれるよう、本書を保管してください。
3. すべての注意事項に留意してください。
4. すべての指示に従ってください。
5. この製品を水の近くで使用しないでください。
6. 清掃の際は乾いた布を使用してください。
7. 通気孔は塞がないでください。製造元の指示に従って設置してください。
8. ラジエータ、暖房送風口、ストーブ、その他の熱を発生する装置(アンプを含む)の近くには設置しないでください。
9. 必ず製造元より指定された付属品、あるいはアクセサリのみをご使用ください。



警告/注意



この製品には磁性材料が含まれています。体内に埋め込まれている医療機器への影響については、医師にご相談ください。

- ボーズ製品を設置する際は、必ず地域と業界指導の安全基準に従ってください。各地域の建築に関する条例や規制など、適用される全ての法律に従って本製品およびそのマウントシステムを設置することは施工業者の責任です。本製品を設置する前に、各地域の管轄官庁に相談してください。
- 重量物の不安定な設置や頭上吊り下げは、重傷または死亡、および設備機器等への損傷の原因となる可能性があります。適用する設置方法の信頼性を評価することは、施工業者の責任です。適切な部品および安全な設置技術の知識を持つ専門の施工業者のみが、天井へのスピーカーの設置を行うことができます。
- 結露の可能性がある場所に製品を設置しないでください。
- この製品は屋内の水を使用するエリア(屋内プール、屋内ウォータerpark、浴室、サウナ、スチームサウナ、屋内スケートリンクなど)での設置または使用を意図していません。
- 設置面の強度が不十分な場合や、設置面の裏側に電線や配管などが隠れている場合は、本製品を設置しないでください。ブラケットの取り付け方法がわからない場合は、専門業者に作業を依頼してください。ブラケットを取り付ける際は、建築関連法規に従ってください。
- DesignMax DM2C-LP loudspeakersには、本体付属またはボーズ指定の取り付け部品およびアクセサリのみをご使用ください。使用可能なアクセサリの詳細については、**PRO.BOSE.COM**に用意されている本製品のテクニカルデータシートを参照してください。
- 火気や熱源などの近くで使用しないでください。火の付いたろうそくなどの火気を、製品の上や近くに置かないでください。
- 許可なく製品を改造しないでください。
- 設置時に炭化水素を基材とする一切の溶剤、潤滑剤、または洗浄剤をこのスピーカーや取り付け部品に対して、またはその周辺に使用しないでください。製品がこうした物質に触れると、プラスチック素材の劣化につながり、ひび割れが生じて落下事故を招くおそれがあります。
- スピーカーの汚れ落としには、必ず乾いた布をお使いください。スピーカーを石けん、洗剤、鉱油、アルコールなどの洗浄剤、化学薬品に触れる可能性がある場所で使用しないでください。
- 単体で使用する安全ストラップピンがグリルに付属しています。

仕様:

入力電圧: 70V/100V

インピーダンス: 16 Ω, 16 W

電流またはパワー: (70V): 1.2W, 2.3W, 4.5W, 9W, (100V): 2.3W, 4.5W, 9W

規制に関する情報



This product conforms to all applicable EU directive requirements. The complete declaration of conformity can be found at www.Bose.com/compliance.



この製品は、すべての適用される電磁両立規則2016およびその他すべての適用される英国の規制に準拠しています。完全な適合宣言書については、次のサイトを参照してください。

www.Bose.com/compliance



This symbol means the product must not be discarded as household waste, and should be delivered to an appropriate collection facility for recycling. Proper disposal and recycling helps protect natural resources, human health and the environment. For more information on disposal and recycling of this product, contact your local municipality, disposal service, or the shop where you bought this product.

製造日: シリアル番号の8桁目の数字は製造年を表します。「7」は2007年または2017年です。

中国における輸入元: Bose Electronics (Shanghai) Company Limited, Part C, Plant 9, No. 353 North Ruying Road, China (Shanghai) Pilot Free Trade Zone

EUにおける輸入元: Bose Products B.V., Gorslaan 60, 1441 RG Purmerend, The Netherlands

メキシコにおける輸入元: Bose de México, S. de R.L. de C.V., Paseo de las Palmas 405-204, Lomas de Chapultepec, 11000 México, D.F. 輸入元およびサポート情報: +5255(5202) 3545

台湾における輸入元: Bose Taiwan Branch, 9F-A1, No. 10, Section 3, Minsheng East Road, Taipei City 104, Taiwan. Phone Number: +886-2-2514 7676

英国における輸入元: Bose Limited, Bose House, Quayside Chatham Maritime, Chatham, Kent, ME4 4QZ, United Kingdom

BoseおよびDesignMaxは、Bose Corporationの商標です。

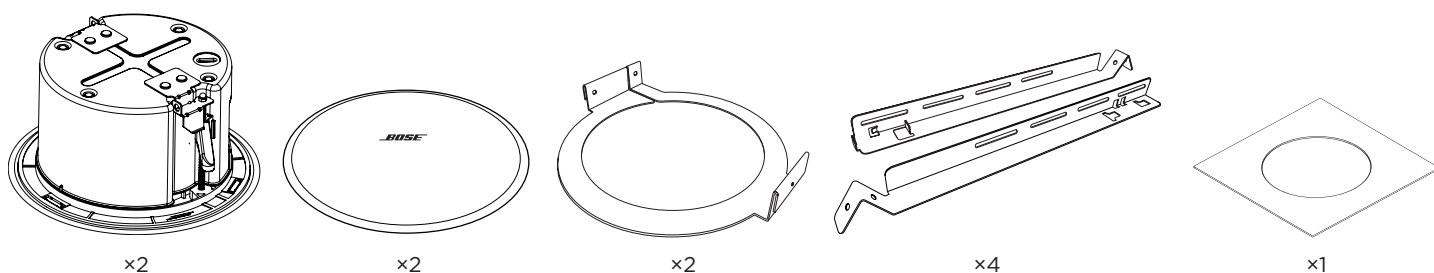
Bose Corporation: 1-877-230-5639

©2021 Bose Corporation. 本書のいかなる部分も、書面による事前の許可のない複写、変更、配布、その他の使用は許可されません。

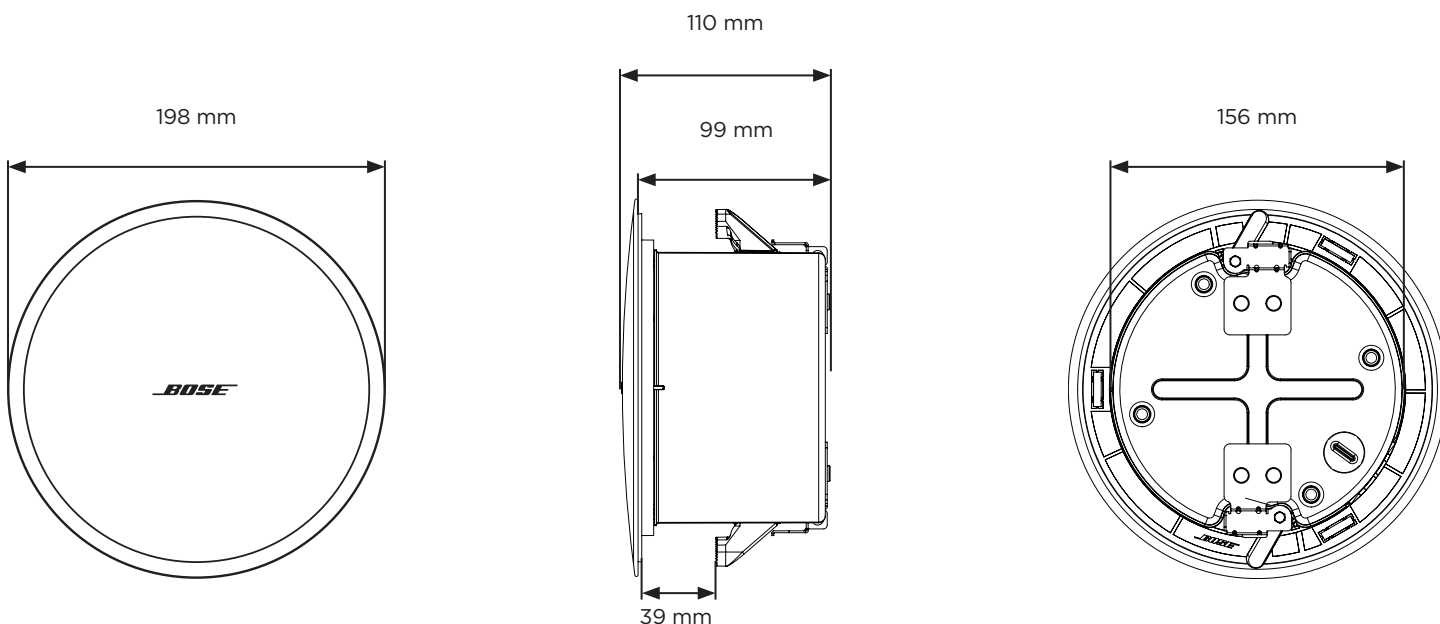
保証情報

保証の内容および条件につきましては、付属の保証書をご覧ください。保証の詳細については、**PRO.BOSE.COM**をご覧ください。

パッケージ内容



製品寸法



技術仕様

詳細な仕様は、PRO.BOSE.COMに用意されている、DesignMax DM2C-LPのテクニカルデータシートを参照してください。

物理的仕様	
製品寸法	グリル直径: 198 mm
	エンクロージャーの直径: 156 mm
	バックカン奥行き: 99 mm
開口寸法	165 mm
最大対応板厚	39 mm
質量(スピーカーとグリル、単体)	約1.63 kg
質量(タイルブリッジ単体)	約0.72 kg
梱包質量(ペア)	約5.99 kg

設置に関する重要情報



各地域の建築に関する条例や規制など、適用される全ての法律に従って本製品およびそのマウントシステムを設置することは施工業者の責任です。本製品を設置する前に、各地域の管轄官庁に相談してください。

スピーカー設置時の安全確保は、施工業者の責任で実施してください。スピーカーの設置が不適切だった場合、損傷、人身への傷害、死亡事故等の原因となるおそれがあります。

結露の可能性がある場所に製品を設置しないでください。



この製品は屋内の水を使用するエリア(屋内プール、屋内ウォータerpark、浴室、サウナ、スチームサウナ、屋内スケートリンクなど)での設置または使用を意図していません。

設置面の強度が不十分な場合や、設置面の裏側に電線や配管などが隠れている場合は、本製品を設置しないでください。ブラケットの取り付け方法がわからない場合は、専門業者に作業を依頼してください。ブラケットを取り付ける際は、建築関連法規に従ってください。

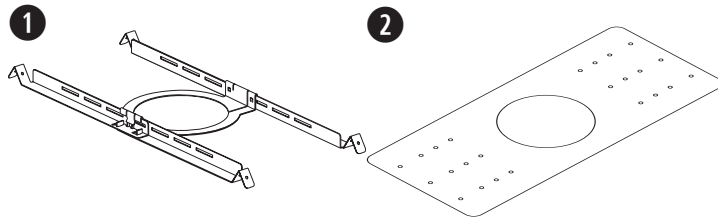


設置時に炭化水素を基材とする一切の溶剤、潤滑剤、または洗浄剤をこのスピーカーや取り付け部品に対して、またはその周辺に使用しないでください。製品がこうした物質に触れると、プラスチック素材の劣化につながり、ひび割れが生じて落下事故を招くおそれがあります。

設置オプション

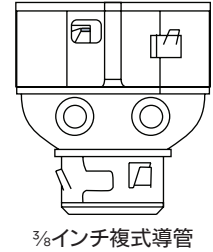
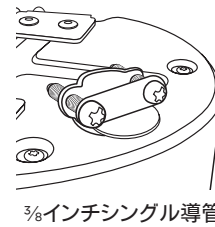
設置オプションとアクセサリ

- ① アジャスタブルタイルブリッジ (同梱)
- ② ラフィンパン (オプション)



導管器具の設置

フレキシブルメタル導管を使う場合は、 $\frac{3}{8}$ インチのシングル導管か $\frac{3}{8}$ インチの複式導管コネクターを使ってください。
 注: 導管器具は付属していません。



設置方法を選ぶ

① 上面ノックアウトを使用

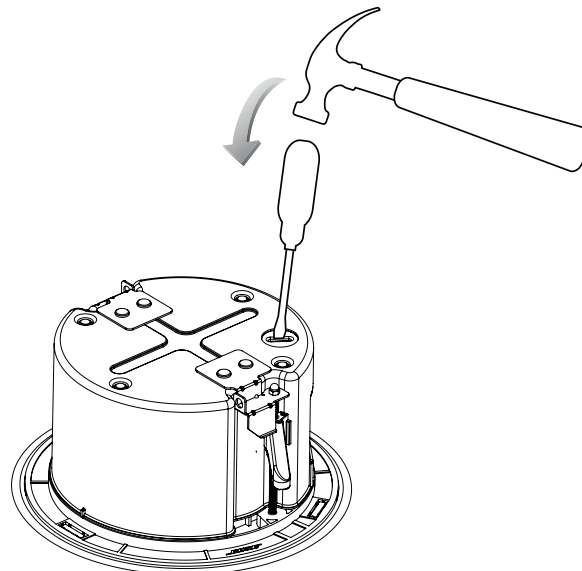
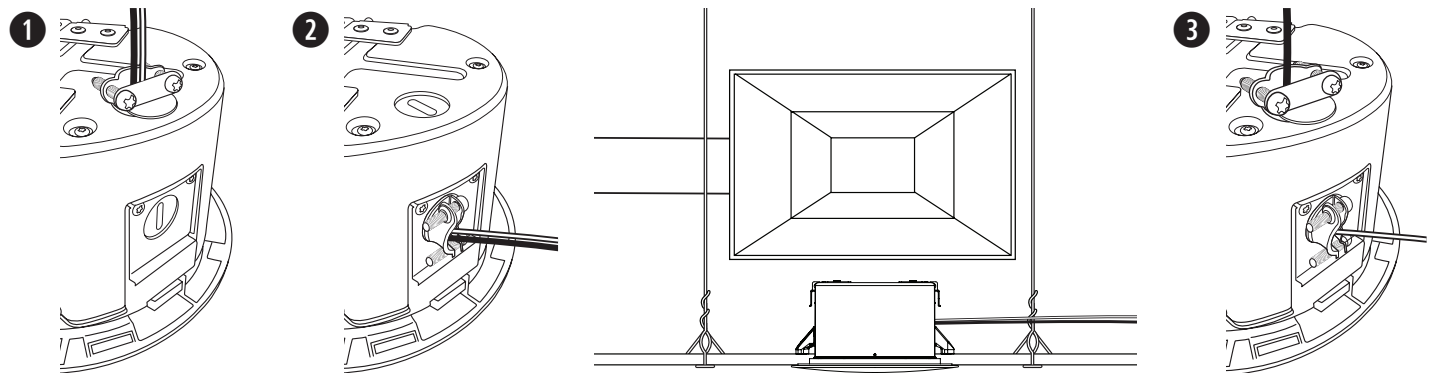
天井裏に十分なスペースがある場合は、上面にあるノックアウトを使用します。

② 側面ノックアウトを使用

天井裏に十分なスペースがない場合は、側面にあるノックアウトを使用します。

③ 両方のノックアウトを使用

信号入力/信号出力の独立した配線方法が必要かつ天井裏に十分なスペースがある場合は、両方のノックアウトを使用します。



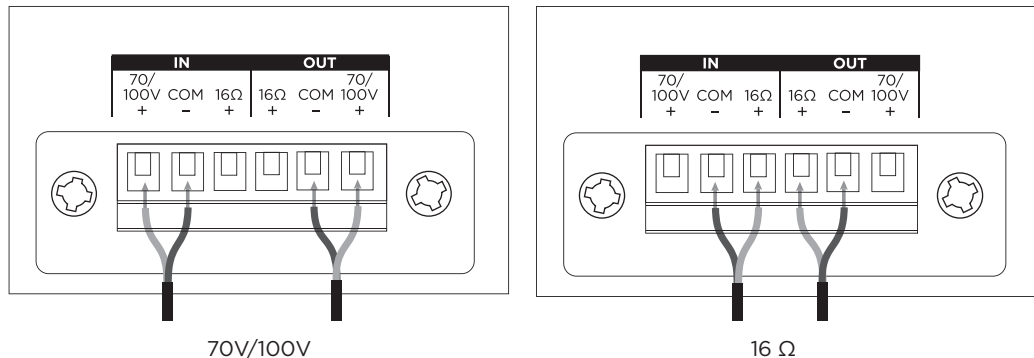
スピーカーの配線

ケーブルゲージ

DesignMax DM2C-LP loudspeakersで利用できるケーブル径は、18 AWG (0.8 mm²)～14 AWG (2.1 mm²)のみです。

接続図

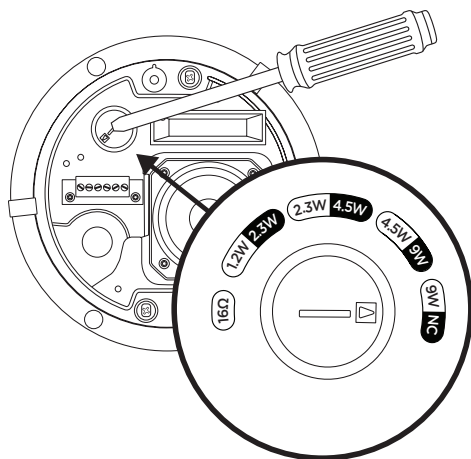
裸線を長さ6 mm (1/4インチ) 露出して端子に接続します。



70V/100V

16 Ω

スピーカーの設定



70V				16 Ω
1.2W	2.3W	4.5W	9W*	
2.3W	4.5W	9W	NC**	
100V				

*工場出荷時設定

**NC: 未接続 (使用しない)

トランスフォーマータップの設定

回転させてタップを設定します。マイナスインドリバーを使用します。

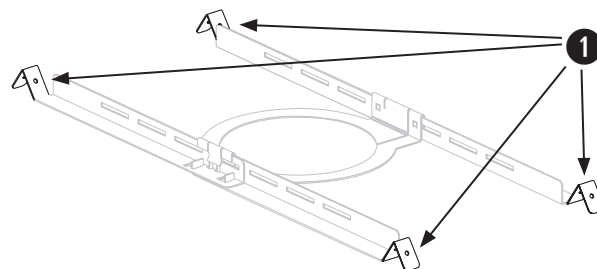
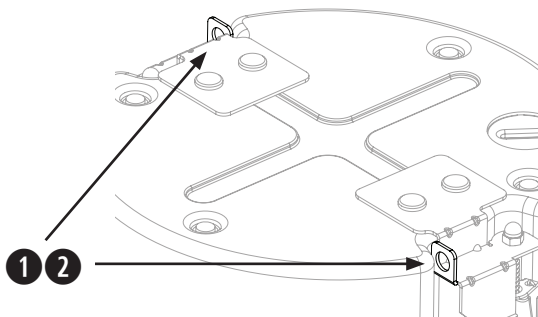
設置の準備

安全ケーブルの使用

お住まいの地域により、安全性の強化のため、スピーカーの構造物に対する固定に二次的な方法も用いることが法令により義務づけられている場合があります。適用される建築基準や規制を満たす設置場所や設置方法、器具を選択してください。

安全確保のための補助的な器具として、(1) 落下防止ワイヤー、(2) 安全ケーブルのいずれかの使用をお勧めします。安全器具の取り付けポイントについては、下の図を参照してください。

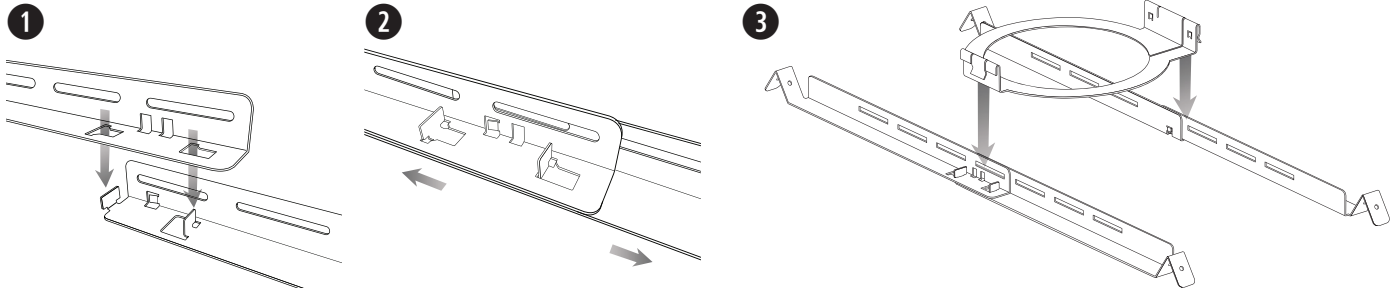
補助的な安全器具をご使用になる際は、製造元の指示に従ってください。



タイルブリッジを組み立てる

注: 硬い天井に設置するときは、切れ込みを通してレールとリングを挿入した後にタイルブリッジを組み立てます(77ページを参照)。

1. レールの位置を合わせ、タブをスロットに挿入します。
2. レールを外側に引いて、2つの部品をしっかりと固定します。
3. 両方のレールが平行になるように位置を合わせたら、タイルブリッジリングを下方向に押して、リングをレールに固定します。

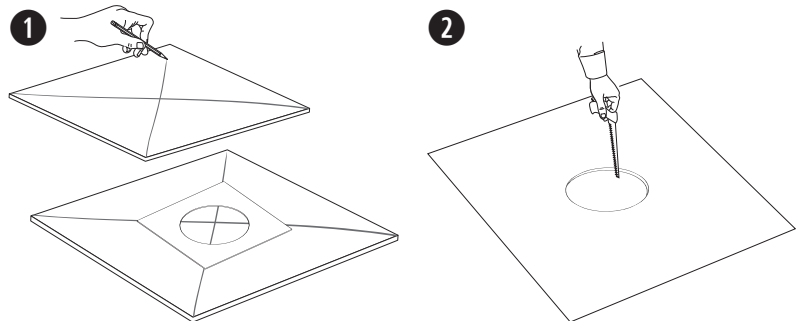


注: スピーカーは、食用油に直接晒される可能性がある加熱調理スペース(商業店舗の厨房など)の近くに設置すると、性能や機能が低下するおそれがあります。

タイルブリッジを設置するタイル天井の準備

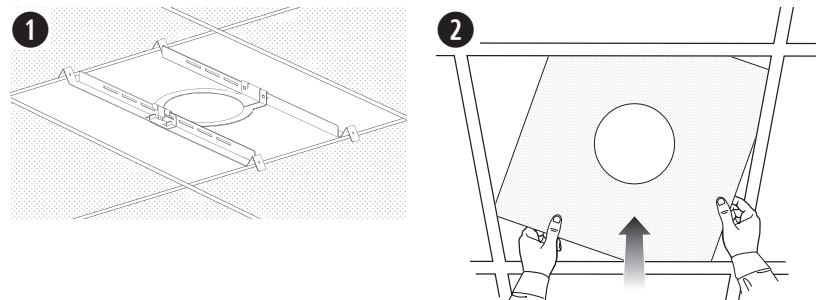
タイル天井を切り抜く

1. タイルを取り外し、テンプレートを使ってスピーカーの穴の位置を示す線をタイルに引きます。タイルの中央にテンプレートを合わせるには、角を対角線で結んで「X」を書き、交点を使います。
2. タイルに穴を開けます。



タイルブリッジを設置する

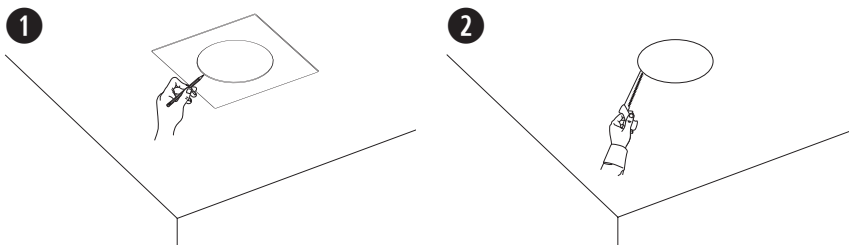
1. 組み立てたタイルブリッジを天井グリッドに渡します。必要に応じてタイルブリッジを調節して、レールが天井のグリッドにしっかり引っかかるようにします。
2. タイルを天井に戻します。



硬い天井にタイルブリッジを設置する

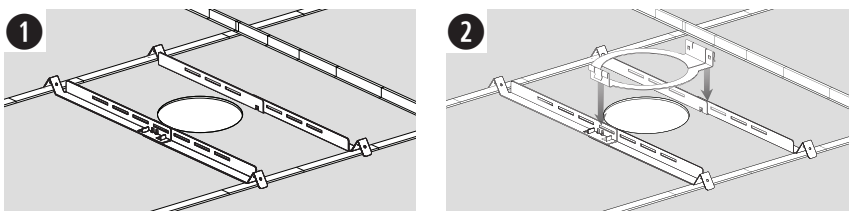
天井を切り抜く

1. 同梱のテンプレートを利用して、天井に開ける穴を示す線を引きます。
2. 天井に穴を開けます。



タイルブリッジを設置する

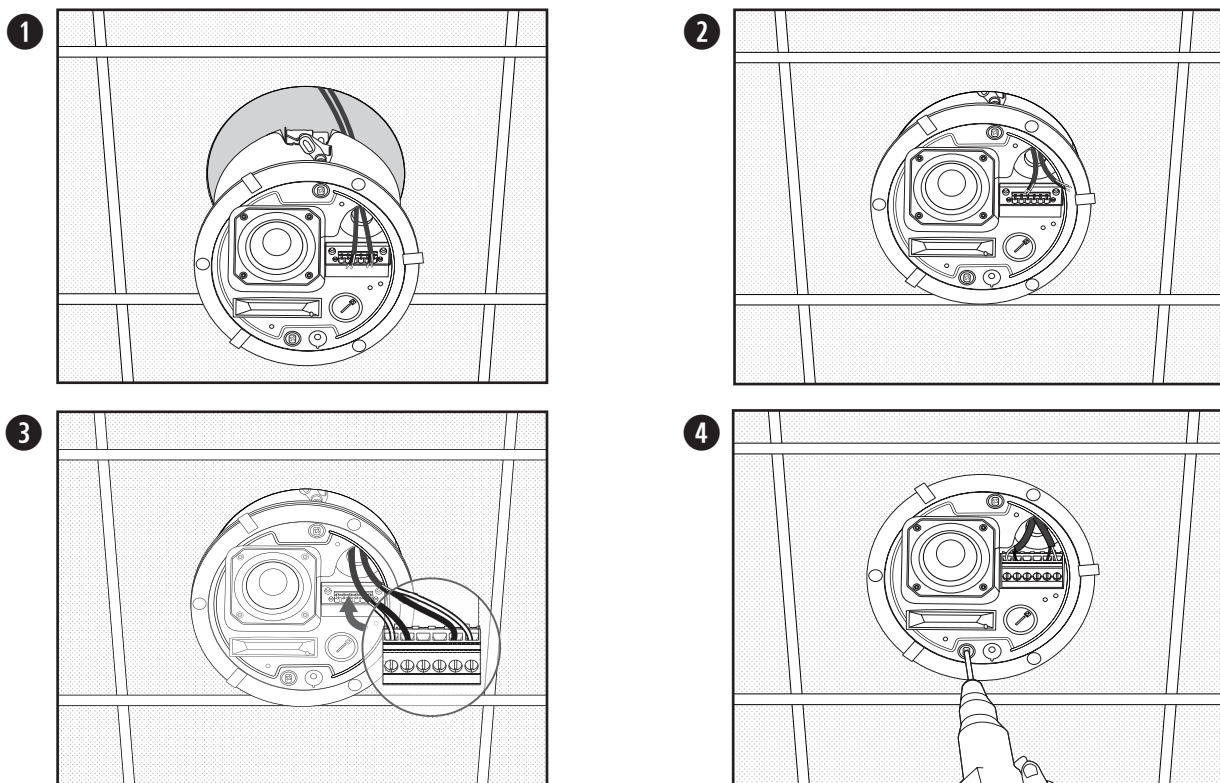
1. タイルブリッジのレールとリングを、穴を通して挿入します。天井のグリッドまたは支えに渡し、レール同士が平行になるように配置します。
2. タイルブリッジを組み立てます。



スピーカーの取り付け

1. オーディオケーブルを配線用の開口部に通します。
2. スピーカーを穴からタイルブリッジに差し込みます。アンカーとタイルブリッジが噛み合ったのを確認してから、スピーカーから手を放します。
3. スピーカーからコネクタを外し、ケーブルを配線し、コネクタを元に戻します。配線について詳しくは、75ページの「スピーカーの配線」を参照してください。
4. アンカーアームのネジを締めてスピーカーを固定します。電動ドリルを使用する場合は、トルクを低く設定してください。

警告: ネジを強く締めすぎると、アンカーの取り付けポイントや天井が壊れて、落下事故を招くおそれがあります。

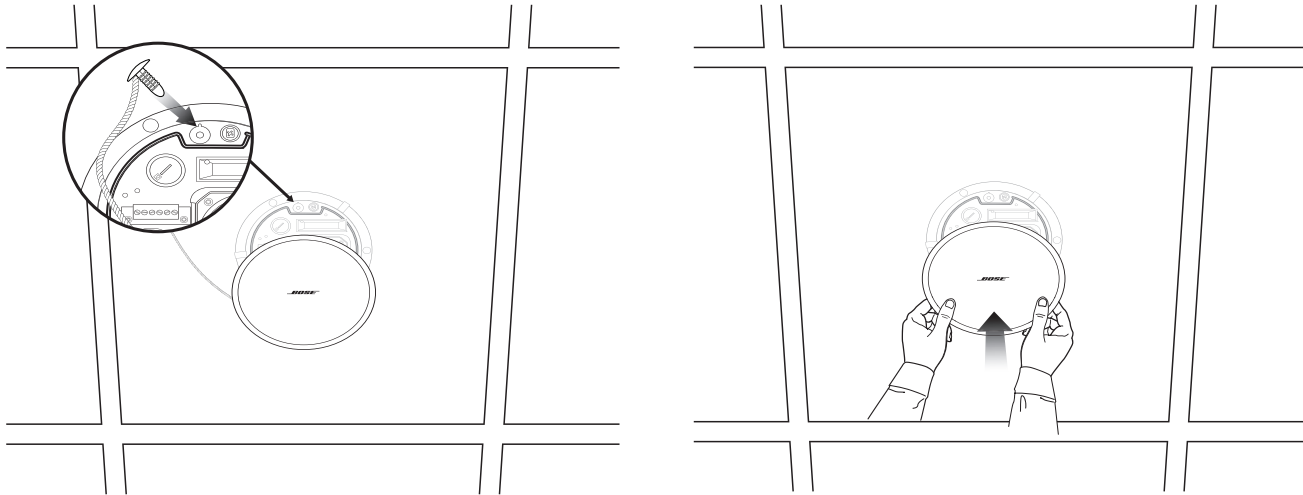


ラフィンパンを使用して新築時の硬い天井に設置する

ラフィンパンの取り付けに関して詳しくは、**PRO.BOSE.COM**に用意されている、DesignMax用ラフィンパンの設置ガイドを参照してください。ラフィンパンの取り付けが終わったら、77ページの「スピーカーの取り付け」を参照してください。

グリルを取り付ける

安全ストラップピンをスピーカーの穴に挿入します。両手を使って、スピーカーにグリルを取り付けます。グリルは磁石でスピーカーに固定されます。



安全上のコンプライアンス

Bose DesignMax DM2C-LP loudspeakersは幅広いテストに合格しており、次の仕様と使用例に準拠しています。

ANSI/UL 1480A-2016のSpeakers for Commercial & Safety Professional Useに準拠

一般用途向けの使用 - UL Category UEAY, File Number S 5591 Control Number 3N89

UL-2043、2013年、Fire Test and Visible Smoke Release for Discrete Products and their Accessories Installed in Air Handling Spaces空調(プレナム)空間内での使用に対応

NFPA 70、米国電気工事規程(2017年、第640条)に準拠したクラス1、クラス2、クラス3の配線による設置に対応

NFPA 70、米国電気工事規程、2017年、第300-22(c)条

NFPA 90-A、2015年、Installation of Air Conditioning and Ventilation Systems、第4.3.11.2.6.5節

DesignMax DM2C-LP loudspeakersは、コンビネーションシステム向けの以下の欧州規制仕様で規定されている要件に適合するように作られています。

IEC60268-5準拠試験を実施、2007年

المعلومات التنظيمية

يتوافق هذا المنتج مع كل متطلبات توجيه الاتحاد الأوروبي المعمول بها. ويمكنك العثور على البيان الكامل للتوافق على: www.bose.com/compliance



يتوافق هذا المنتج مع جميع لوائح التوافق الكهرومغناطيسي المعمول بها لعام 2016 وجميع لوائح المملكة المتحدة الأخرى المعمول بها. ويمكن العثور على إعلان المطابقة الكامل في الموقع التالي: www.bose.com/compliance



يشير هذا الرمز إلى أنه يجب عدم التخلص من المنتج مع النفايات المنزلية ويجب تسليمه إلى منشأة مناسبة لجمع النفايات بهدف إعادة تدويره. ويساعد التخلص السليم وإعادة التدوير في حماية الموارد الطبيعية وصحة الإنسان والبيئة. للحصول على مزيد من المعلومات حول التخلص من هذا المنتج وإعادة تدويره، اتصل بالبلدية المحلية أو خدمة التخلص من النفايات أو المتجر الذي اشتريته منه هذا المنتج.



تاريخ التصنيع: يشير الرقم الثامن في الرقم التسلسلي إلى سنة التصنيع؛ حيث يشير الرقم "7" إلى 2007 أو 2017.

المستورد في الصين: Bose Electronics (Shanghai) Company Limited, Part C, Plant 9, No. 353 North Riyang Road, China (Shanghai) Pilot Free Trade Zone

المستورد في الاتحاد الأوروبي: Bose Products B.V., Gorslaan 60, 1441 RG Purmerend, The Netherlands

المستورد في المكسيك: Bose de México, S. de R.L. de C.V., Paseo de las Lomas de Chapultepec, 11000 México, D.F., 204-Palmas 405
لمعلومات المستورد والخدمة: 3545 (5202) 5255+

المستورد في تايوان: Bose Taiwan Branch, 9F-A1, No. 10, Section 3, Minsheng East Road, Taipei City 104, Taiwan
رقم الهاتف: +886-2-2514 7676

المستورد في المملكة المتحدة: Bose Limited, Bose House, Quayside Chatham, Kent, ME4 4QZ, المملكة المتحدة

إن Bose و DesignMax هما علامتان تجاريتان لشركة Bose Corporation.

المقر الرئيسي لشركة Bose: 1-877-230-5639

حقوق الطباعة والنشر © للعام 2021 لشركة Bose Corporation. يجب عدم استنساخ أي جزء من هذا المستند أو تعديله أو توزيعه أو حتى استخدامه بدون إذن خطي مسبق.

معلومات حول الضمان

يأتي هذا المنتج مع ضمان محدود.

للحصول على تفاصيل حول الضمان، تفضل بزيارة PRO.BOSE.COM.

يُرجى قراءة كل إرشادات السلامة والاستخدام والاحتفاظ بها.

هذا المنتج مصمم للتركيب بواسطة فنيي التركيب المتخصصين فقط! يهدف هذا المستند إلى تزويد فنيي التركيب المحترفين بإرشادات التركيب والسلامة الأساسية لهذا المنتج في أنظمة التركيب الثابت النموذجية. يُرجى قراءة هذا المستند وكل تحذيرات السلامة قبل محاولة التركيب.

لا تحاول صيانة هذا الجهاز بنفسك. بل قم بإحالة جميع أعمال الصيانة إلى مراكز الخدمات أو متخصصي التركيب أو الفنيين أو الوكلاء أو الموزعين المعتمدين. للتواصل مع خبير من Bose أو للعثور على وكيل أو موزع بالقرب منك، تفضل بزيارة موقع الويب PRO.BOSE.COM.

1. اقرأ هذه الإرشادات.
2. احتفظ بهذه الإرشادات.
3. انتبه إلى كل التحذيرات.
4. اتبع كل الإرشادات.
5. لا تستخدم هذا الجهاز بالقرب من الماء.
6. لا تستخدم سوى قطعة قماش جافة لتنظيف الجهاز.
7. لا تقم بسد أي فتحات للتهوية. ركب المنتج وفقاً لإرشادات الشركة المصنعة.
8. لا تتركب المنتج بالقرب من أي مصادر للحرارة، مثل أجهزة التدفئة أو فتحات التدفئة أو المواقد أو غيرها من الأجهزة (بما في ذلك مضخمات الصوت) التي ينتج عنها حرارة.
9. لا تستخدم سوى المرفقات/الملحقات التي تحددها الشركة المصنعة.



تحذيرات/تنبيهات



يحتوي هذا المنتج على مادة مغناطيسية. استشير طبيبك لمعرفة ما إذا كان سيؤثر ذلك في أي أجهزة طبية مزروعة في جسمك.



- يجب تركيب كل منتجات Bose وفقاً للوائح المحلية والحكومية والفيدالية والصناعية. يتحمل فني التركيب المتخصص مسؤولية ضمان تنفيذ عملية تركيب مكبرات الصوت ونظام التثبيت بالتوافق مع كل القوانين المعمول بها، بما في ذلك قوانين ولوائح البناء المحلية. يرجى مراجعة السلطات المحلية صاحبة الاختصاص قبل تركيب هذا المنتج.
- قد يتسبب التثبيت أو التعليق العلوي غير الآمن لأي حمل ثقيل بوقوع إصابات خطيرة أو الوفاة، وتلف الممتلكات. وتقع على عاتق فني التركيب مسؤولية تقييم مدى موثوقية أي طريقة تثبيت يتم استخدامها. يجب ألا يحاول تركيب أي مكبرات صوت علوية التعليق إلا فنيي التركيب المحترفون الذين يتمتعون بالمعرفة اللازمة بالمعدات المناسبة وطرق التثبيت الآمنة.
- لا تقم بتركيب هذا المنتج في الأماكن التي قد يحدث فيها تكتيف.
- هذا المنتج غير مصمم للتركيب أو الاستخدام داخل مرافق المياه في الأماكن المغلقة (بما في ذلك، على سبيل المثال لا الحصر، حمامات السباحة الداخلية والحدائق المائية المغلقة وأحواض الاستحمام الساخنة وغرف الساونا وغرف البخار وحلبات التزلج الداخلية).
- لا تقم بالتركيب على أسطح غير قوية أو توجد خلفها مخاطر خفية، مثل الأسلاك الكهربائية البنية أو أنابيب المياه. إذا لم تكن متأكدًا من كيفية تركيب الكنتيف، فاتصل بفني تركيب محترف مؤهل. احرص على تركيب الكنتيف وفقاً لقوانين البناء المحلية.
- لا تستخدم سوى المعدات والملحقات المضمنة أو المحددة من قبل Bose للاستخدام مع مكبرات الصوت DesignMax DM2C-LP. للحصول على معلومات حول الملحقات المتوافقة، راجع ورقة البيانات الفنية الخاصة بالمنتج على PRO.BOSE.COM.
- أبقي المنتج بعيداً عن مصادر اللهب والحرارة. يجب عدم وضع أية مصادر للهب المكشوف، مثل الشموع المشتعلة، فوق المنتج أو بالقرب منه.
- لا تقم بإجراء أي تعديلات غير مصرح بها على هذا المنتج.
- لا تستخدم أي نوع من المذيبات أو مواد التزييت أو مواد التنظيف القائمة على الهيدروكربون على مكبر الصوت هذا ومعدات التثبيت المرصفة أو حولها أثناء التركيب. فقد يؤدي التعرض لمواد مماثلة إلى تحلل المواد البلاستيكية، مما قد يتسبب بتصدع المنتج في وقت مبكر ويخطر السقوط.
- لا تنظف مكبرات الصوت إلا باستخدام قطعة قماش جافة. ولا تعرض مكبر الصوت للصابون أو المنظفات أو الزيوت المعدنية أو الكحول أو غيرها من مواد التنظيف أو المواد الكيميائية.
- تم تزويد الحاجز الشبكي بديوس أمان موصول بحبل مصمم للاستخدام مرة واحدة.

تصنيفات المنتج:

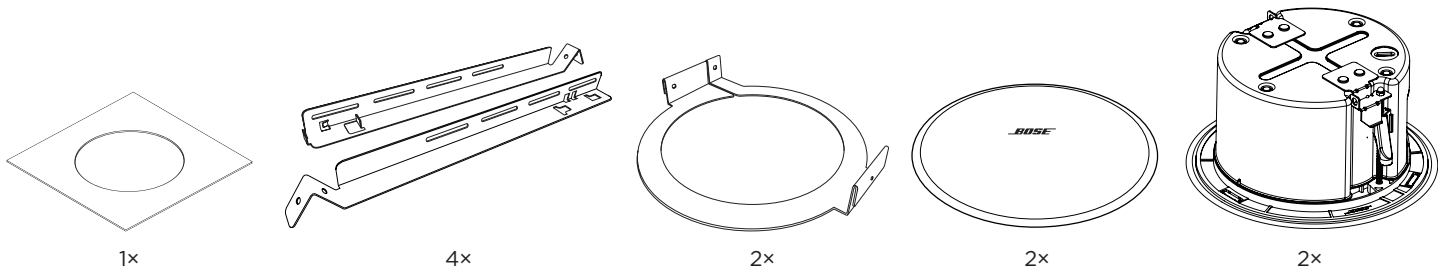
الجهد الكهربائي للدخل: 70 فولت/100 فولت

المعاوقة: 16 أوم، 16 واط

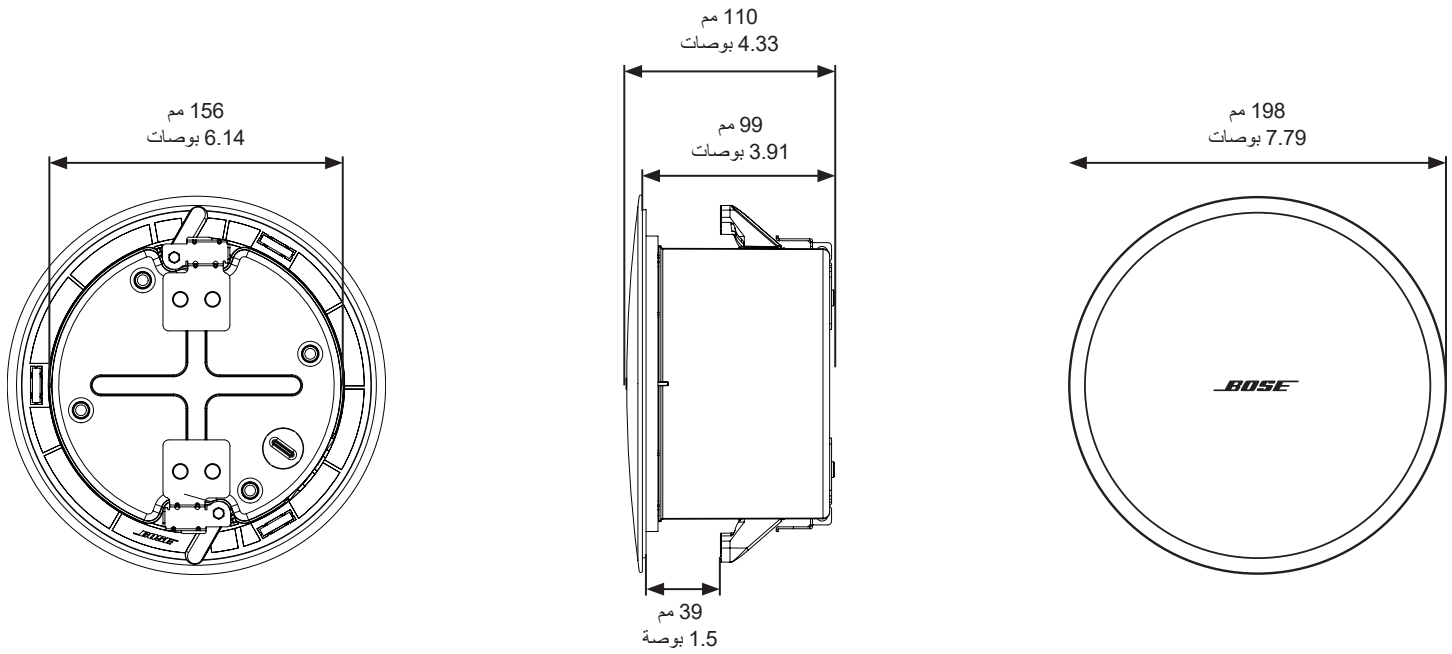
التيار أو الطاقة: (70 فولت): 1.2 واط، 2.3 واط، 4.5 واط، 9 واط (100 فولت):

2.3 واط، 4.5 واط، 9 واط

محتويات العبوة



أبعاد المنتج



معلومات هامة حول التركيب

يتحمل فني التركيب المتخصص مسؤولية ضمان تنفيذ عملية تركيب مكبرات الصوت ونظام التثبيت بالتوافق مع كل القوانين المعمول بها، بما في ذلك قوانين وأوائح البناء المحلية. يرجى مراجعة السلطات المحلية صاحبة الاختصاص قبل تركيب هذا المنتج.



تقع على عاتق فني التركيب مسؤولية ضمان سلامة عملية تركيب مكبر الصوت. قد يؤدي عدم تركيب مكبر الصوت بالطريقة المناسبة إلى إلحاق الضرر أو وقوع الإصابات أو حتى إلى الوفاة.

لا تقم بتركيب هذا المنتج في الأماكن التي قد يحدث فيها تكثيف.

هذا المنتج غير مصمم للتركيب أو الاستخدام داخل مرافق المياه في الأماكن المغلقة (بما في ذلك، على سبيل المثال لا الحصر، حمامات السباحة الداخلية والحدائق المائية المغلقة وأحواض الاستحمام الساخنة وغرف الساونا وغرف البخار وحلبات التزلج الداخلية).



لا تقم بالتركيب على أسطح غير قوية أو توجد خلفها مخاطر خفية، مثل الأسلاك الكهربائية أو أنابيب المياه. إذا لم تكن متأكدًا من كيفية تركيب الكثيفة، فاتصل بفني تركيب محترف مؤهل. احرص على تركيب الكثيفة وفقًا لقوانين البناء المحلية.

لا تستخدم أي نوع من المذيبات أو مواد التزييت أو مواد التنظيف القائمة على الهيدروكربون على مكبر الصوت هذا ومعدات التثبيت المرفقة أو حولها أثناء التركيب. فقد يؤدي التعرض لمواد مماثلة إلى تحلل المواد البلاستيكية، مما قد يتسبب بتصدع المنتج في وقت مبكر وبخطر السقوط.



المواصفات الفنية

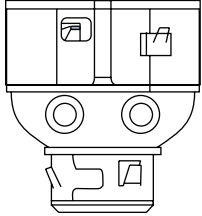
للحصول على مواصفات إضافية، راجع ورقة البيانات الفنية لمكبر الصوت DesignMax DM2C-LP على PRO.BOSE.COM.

مادي	أبعاد المنتج
قطر الحاجز الشبكي: 198 مم (7.79 بوصة)	قطر العلبة: 156 مم (6.14 بوصة)
عمق الصفيحة الخلفية: 99 مم (3.91 بوصة)	165 مم (6.5 بوصة)
فتحة الثقب	39 مم (1.5 بوصة)
سماكة السقف القسوى	1.63 كجم (3.6 أرطال)
الوزن الصافي لمكبر الصوت مع الحاجز الشبكي (فردى)	0.72 كجم (1.6 رطل)
الوزن الصافي، عارضة الألواح (فردية)	5.99 كجم (13.2 رطلاً)
وزن الشحن (زوج)	

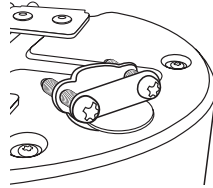
خيارات التركيب

تجهيزات الماسورة

في حال كنت تستخدم ماسورة معدنية مرنة، فاستخدمها مع تجهيزات ماسورة بحجم ٨/٣ بوصات أو موصل ثنائي (مزدوج) يبلغ ٨/٣ بوصات.
ملاحظة: لا تكون تجهيزات الماسورة متوفرة مع الجهاز.



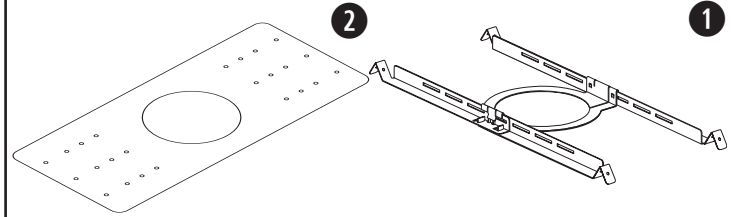
8/3 بوصات، مزدوجة



8/3 بوصات، فردية

خيارات التركيب والملحقات

- 1 عارضة ألواح قابلة للضغط (مضمنة)
- 2 قاعدة مسطحة صلبة (اختيارية)



اختيار طريقة التركيب

1 التثبيت العلوي

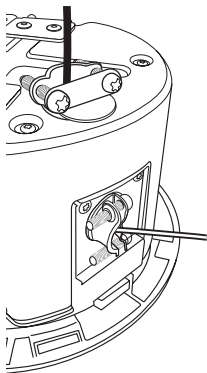
استخدم التثبيت العلوي عند توفر مساحة أعلى السقف.

2 التثبيت الجانبي

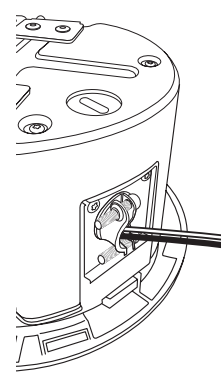
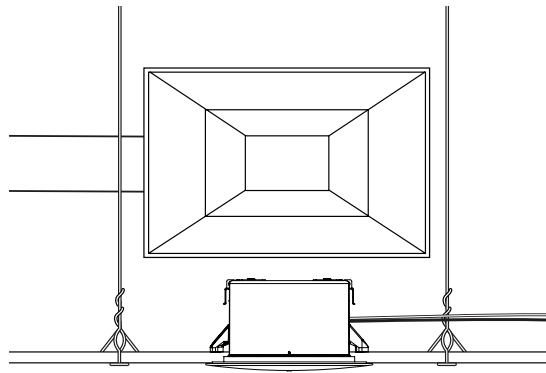
استخدم التثبيت الجانبي عند وجود مساحة محدودة أعلى السقف.

3 التثبيت من الناحيتين

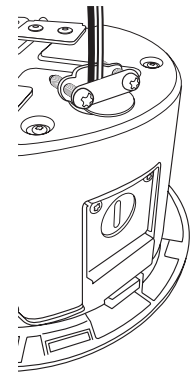
استخدم التثبيت من الناحيتين عندما يلزم توفر مخطط أسلاك لدخول الإشارة وخرج الإشارة المستقل وتوفر مساحة فوق السقف.



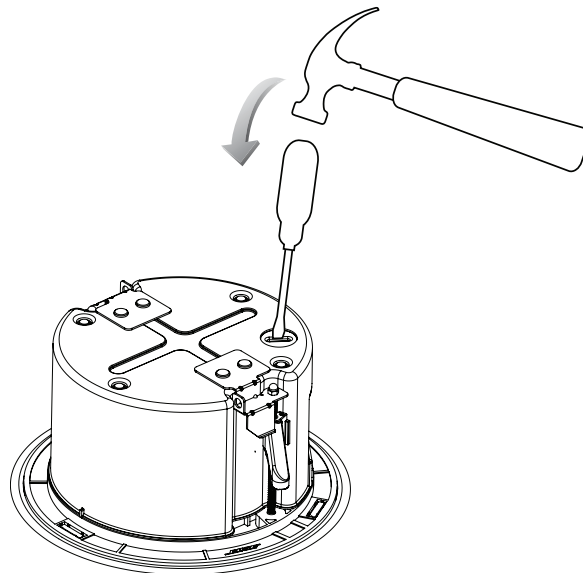
3



2



1



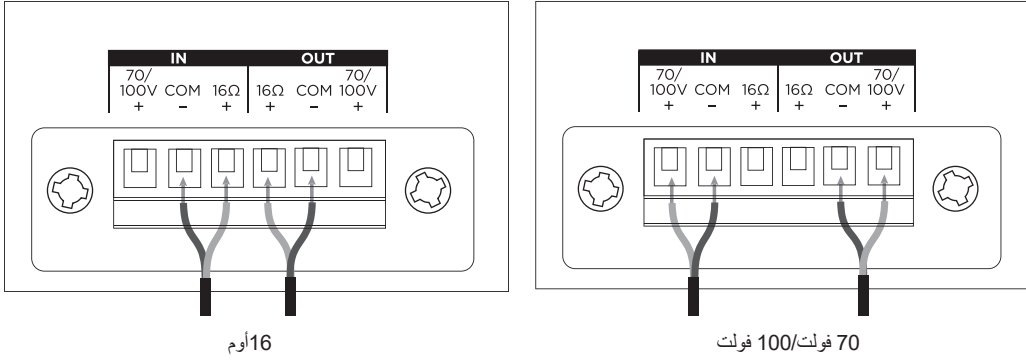
توصيل أسلاك مكبر الصوت

قياس الأسلاك

تم تصميم مكبر الصوت DesignMax DM2C-LP حتى يعمل بأسلاك مقاس ١٨ بمعياري السلك الأمريكي (٠,٨ مم²) إلى ١٤ بمعياري السلك الأمريكي (٢,١ مم²) فقط.

مخططات التوصيل

اكشف ستة ملليمترات (٤/١ بوصة) من السلك العاري لتوصيله بالأطراف.



16 أوم

70 فولت/100 فولت

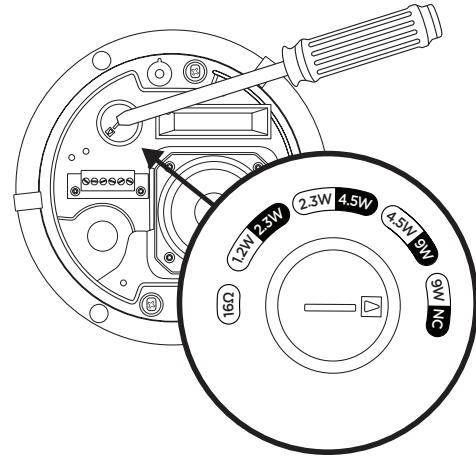
إعدادات مكبر الصوت

٧٠ فولت				
١٦ أوم	٩ واط*	٤,٥ واط	٢,٣ واط	١,٢ واط
	**NC	٩ واط	٤,٥ واط	٢,٣ واط
١٠٠ فولت				

* القيمة الافتراضية للشركة المصنعة ** NC: بدون توصيل (لا تستخدمه)

إعداد تفريع المحوّل

تثبت التفريع بإدارته. استخدم مفك براغي برأس مسطح.



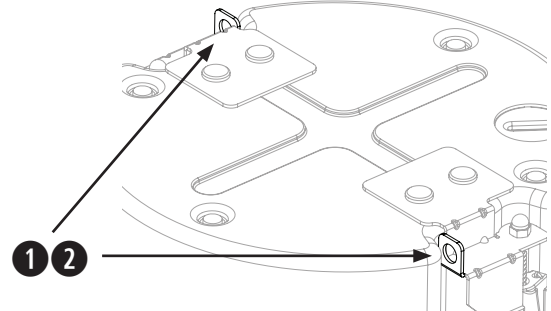
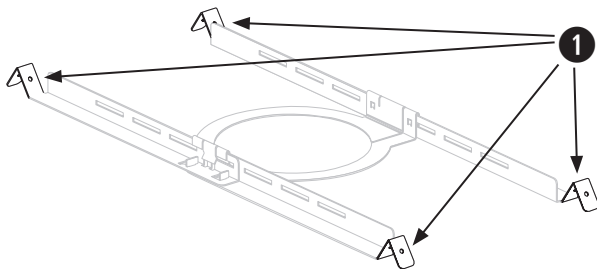
تحضير التركيب

استخدام كبل الأمان

تتطلب بعض قوانين البناء الإقليمية استخدام طريقة ثانوية لتثبيت مكبرات الصوت بإحكام، بهدف دعم الهياكل وتوفير مستوى إضافي من الأمان. اختر وضعية وطريقة ومعدّات للتركيب متوافقة مع قوانين ولوائح البناء المحلية.

توصي Bose باستخدام (١) سلك أمان أو (٢) كبل أمان كإلية ثانوية للتثبيت المحكم. راجع الرسوم البيانية أدناه لمعرفة نقاط التثبيت الآمنة.

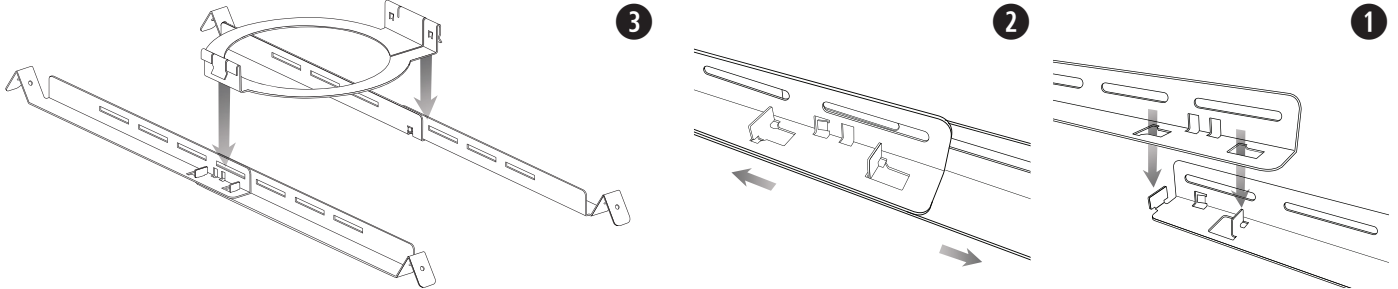
اتبع إرشادات الجهة المصنّعة عند استخدام أي آلية ثانوية للتثبيت المحكم.



تجميع عارضة الألواح

ملاحظة: إذا كنت تقوم بالتركيب في سقف صلب، فقم بتجميع عارضة الألواح بعد إدخال القضبان والحلقة عبر فتحة الثقب (راجع الصفحة 84).

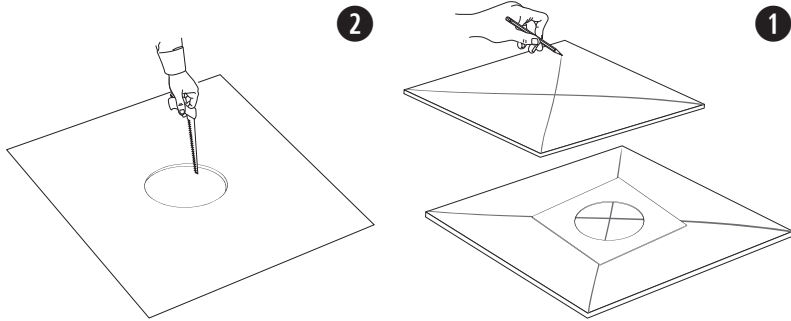
١. قم بمحاذاة القضبان وأدخل العروات في الفتحات.
٢. اسحب القضبان خارجاً لتثبيتها مغا.
٣. قم بمحاذاة القضبان بالتوازي بعضها مع بعض واضغط على حلقة عارضة الألواح لأسفل لتثبيت الحلقة بالقضبان.



ملاحظة: يؤدي التركيب بالقرب من أسطح الطهي التي قد يتعرّض فيها مكبر الصوت لزيت الطهي مباشرةً، مثل أماكن الطهي التجارية، إلى انخفاض أداء مكبر الصوت أو وظائفه.

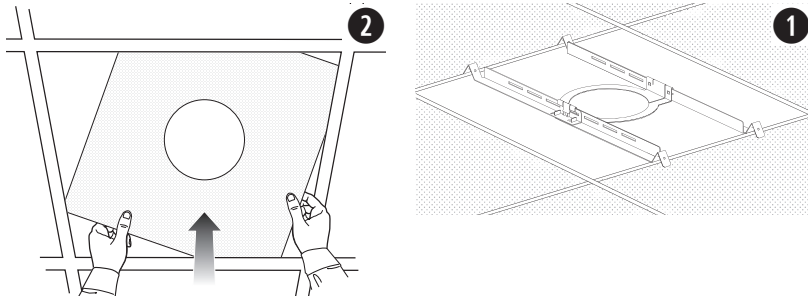
تحضير لوح السقف الصوتي

قص لوح السقف



١. قم بإزالة اللوح واستخدم القالب لرسم شكل ثقب مكبر الصوت على اللوح. لمحاذاة القالب في وسط اللوح، ارسم حرف "X" عن طريق توصيل الزوايا قطرياً، ثم ضع القالب في الوسط باستخدام نقطة التقاطع.
٢. قم بإجراء ثقب على اللوح.

تركيب عارضة الألواح

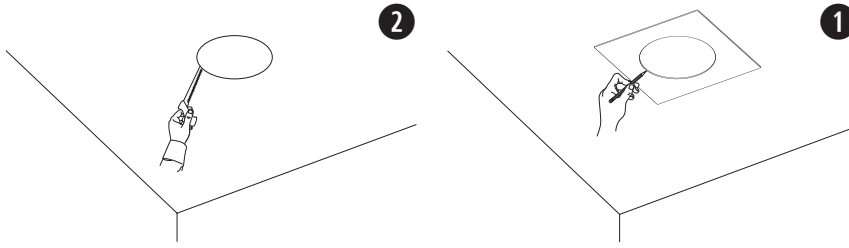


١. ضع عارضة الألواح المجمّعة على شبكة السقف. إذا لزم الأمر، اضبط عارضة الألواح حتى تستند القضبان على شبكة السقف.
٢. استبدل اللوحة في السقف.

تخضير السقف الصلب (بنية قائمة)

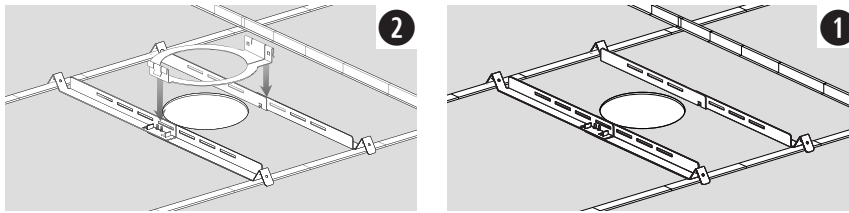
قص السقف

١. استخدم القالب لرسم ثقب في السقف.
٢. قم بإجراء ثقب على السقف.



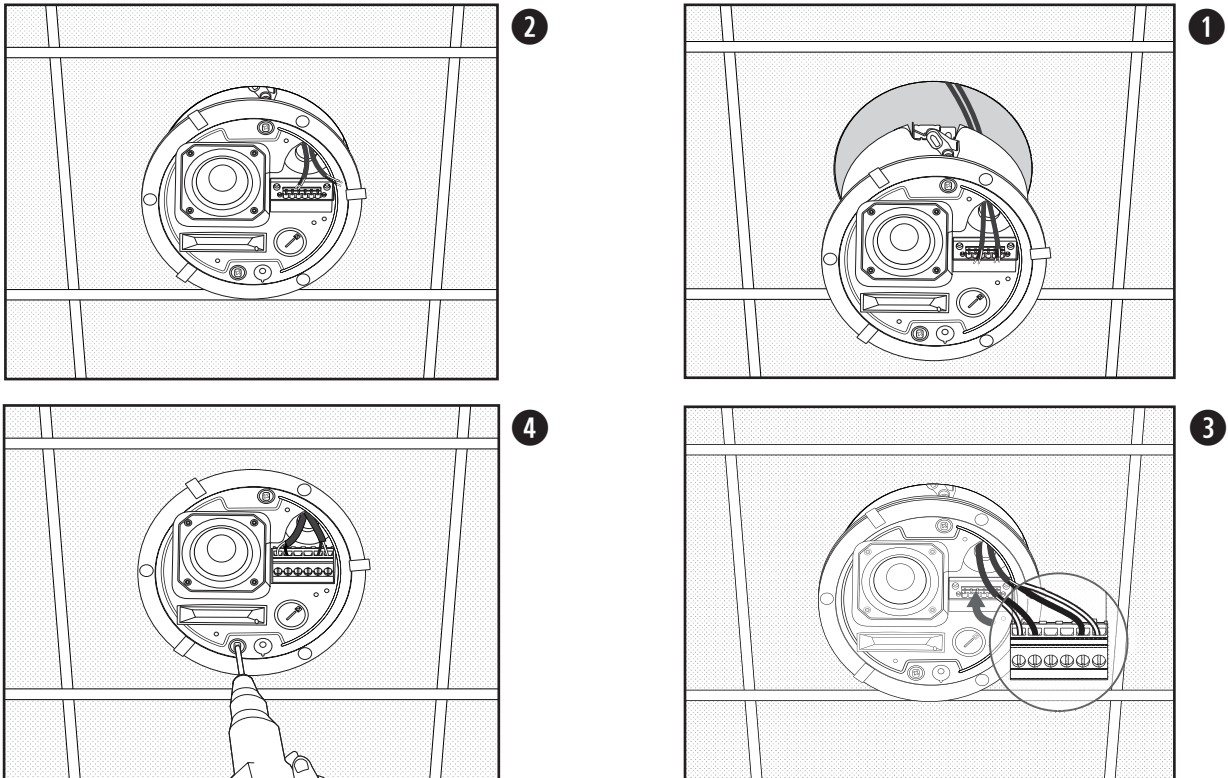
تركيب عارضة الألواح

١. أدخل قضبان عارضة الألواح والحلقة عبر الثقب وضع القضبان بحيث تكون متوازية مع بعضها مع بعض عبر شبكة السقف أو الأخشاب المحصنة في السقف.
٢. قم بتجميع عارضة الألواح.



تركيب مكبر الصوت

١. مرر سلك الصوت عبر فتحة الأسلاك.
٢. أدخل مكبر الصوت عبر الفتحة وفي عارضة الألواح. احرص على أن تشتبك الخطافات بعارضة الألواح قبل إفلات مكبر الصوت من يدك.
٣. قم بإزالة الموصل وربطه وإعادة إدخاله في مكبر الصوت. للحصول على معلومات حول توصيل الأسلاك، راجع توصيل أسلاك مكبر الصوت في الصفحة ٨٢.
٤. أحكم شد براغي ذراع الخطاف لتثبيت مكبر الصوت في مكانه. إذا كنت تستخدم متقابًا آليًا، فقم بتعيين الإعداد إلى مستوى عزم منخفض **تحذير:** قد يؤدي شد البراغي بشكل مفرط إلى إلحاق ضرر بنقطة تثبيت الخطاف أو السقف، ما قد يتسبب بخطر السقوط.

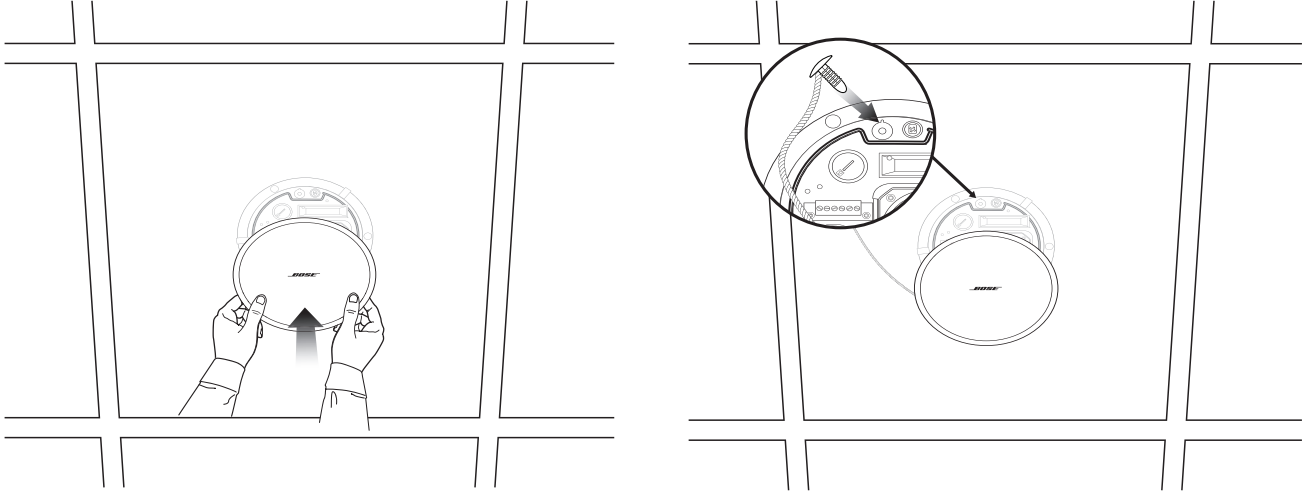


التركيب في سقف صلب باستخدام قاعدة مسطحة صلبة (بنية جديدة)

للحصول على معلومات حول تركيب قاعدة مسطحة صلبة، راجع دليل تركيب القاعدة المسطحة الصلبة لمكبر الصوت DesignMax على PRO.BOSE.COM. بعد تركيب القاعدة المسطحة الصلبة، راجع تركيب مكبر الصوت في الصفحة ٨٤.

تثبيت الحاجز الشبكي

أدخل دبوس الأمان الموصول بحبل في الثقب الموجود بمكبر الصوت. باستخدام كلتا اليدين، ضع الحاجز الشبكي على مكبر الصوت. يتم إحكام تثبيت الحاجز الشبكي بمكبر الصوت مغناطيسيًا.



السلامة والامتثال التنظيمي

اجتاز مكبر الصوت DesignMax DM2C-LP من Bose الاختبارات ويتوافق مع المواصفات والاستخدامات التالية:

مدرجان ضمن معيار ANSI/UL 1480A-2016، لمكبرات الصوت ذات الاستخدام التجاري والاحترافي الموفر للسلامة

الاستخدام لأغراض عامة - UEAY من الفئة UL، رقم الملف S 5091، رقم التحكم 3N89

UL-2043، 2013، اختبار الحريق وإطلاق دخان مرئي للمنتجات المنفصلة وملحقاتها المركبة في الأماكن التي تتم فيها معالجة الهواء. مناسب للاستخدام في الأماكن التي تتم فيها معالجة الهواء (بجهاز التهوية النفاخ).

مناسب للتركيب باستخدام طرق توصيل الأسلاك من الفئة 1 والفئة 2 والفئة 3 بما يتوافق مع NFPA 70، المواصفات القياسية الكهربائية الأمريكية، لعام 2017، المادة 640

NFPA 70، المواصفات القياسية الكهربائية الأمريكية، لعام 2017، المادة (c) 300-22.

NFPA A-90، لعام 2015، تركيب أجهزة تكييف الهواء وأنظمة التهوية، الفقرة 4، 3، 11، 2، 6، 5

تم تصميم مكبر الصوت DesignMax DM2C-LP وفقًا للمتطلبات المحددة في المواصفات التنظيمية الأوروبية التالية للأنظمة المجمعة:

تم الاختبار وفقًا لمعيار IEC 60268-5، لعام 2007



813563-0020

©2021 Bose Corporation, All rights reserved.
Framingham, MA 01701-9168 USA
PRO.BOSE.COM
AM813563 Rev. 03
November 2021

