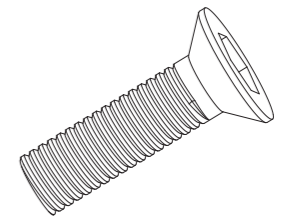
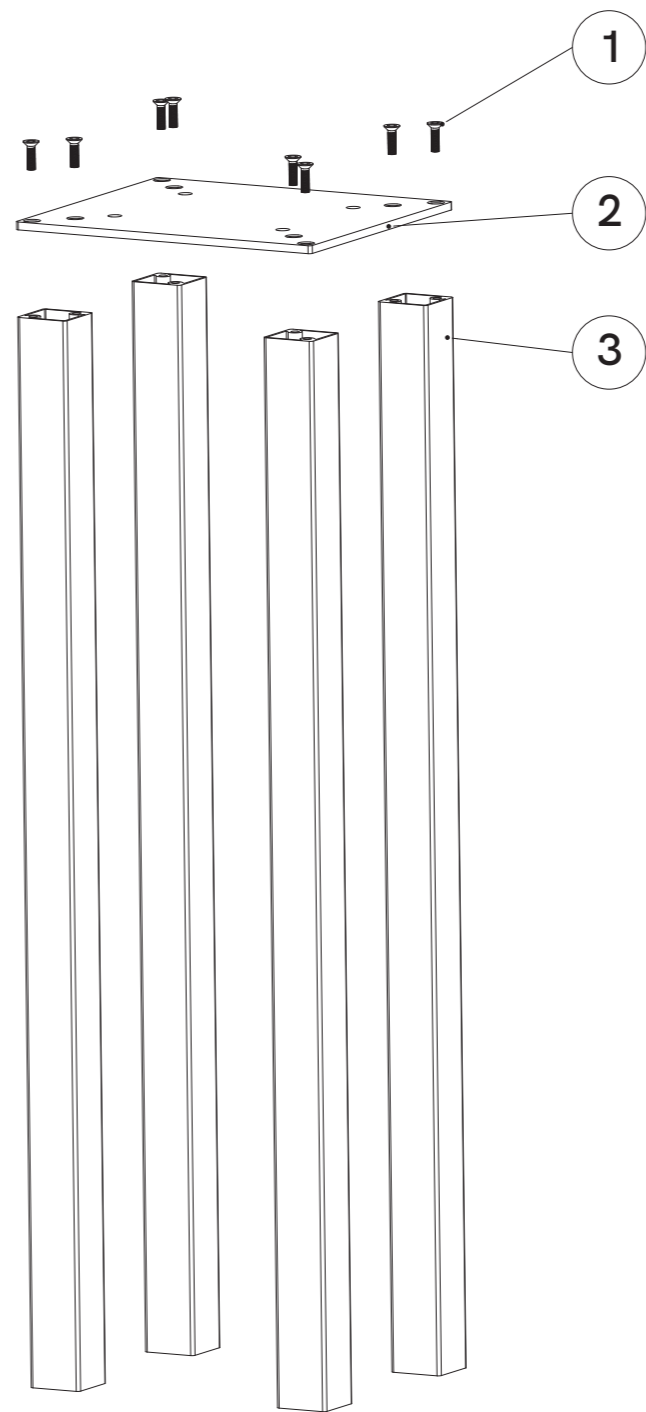
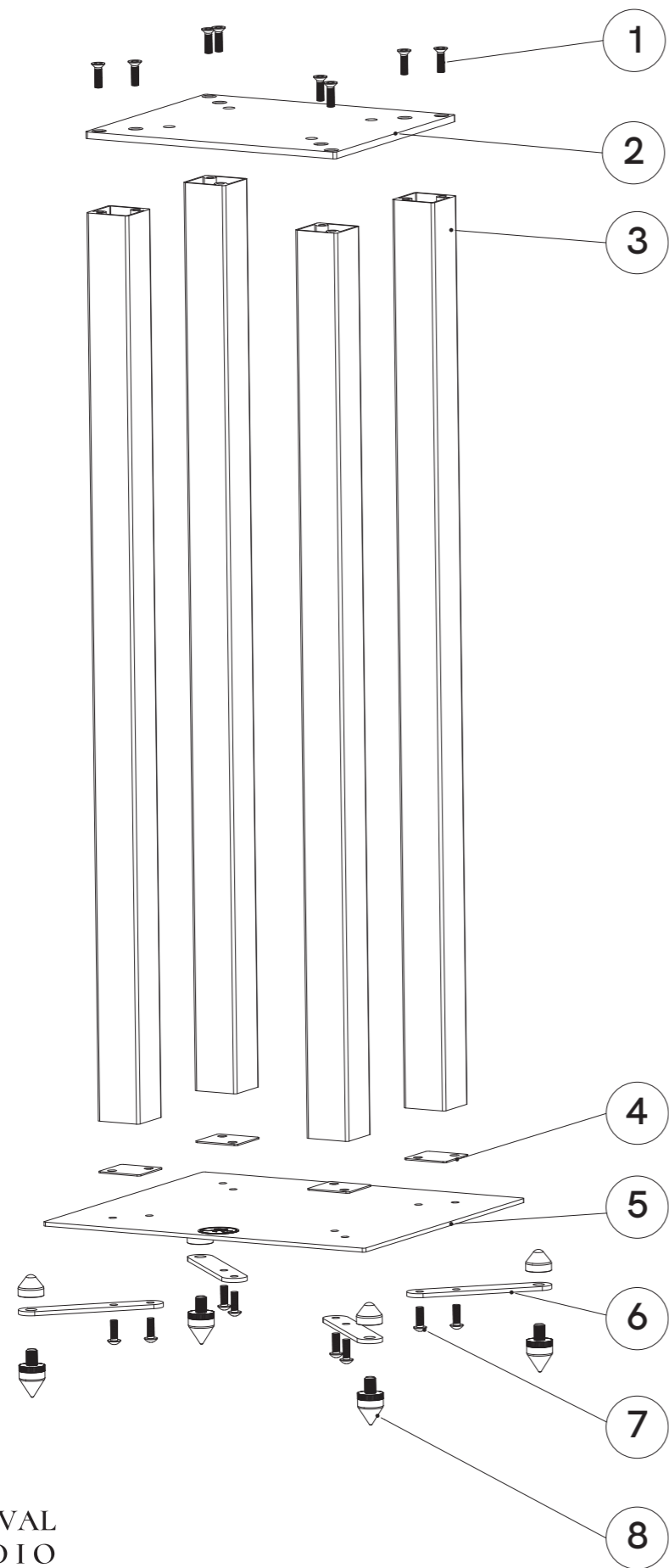
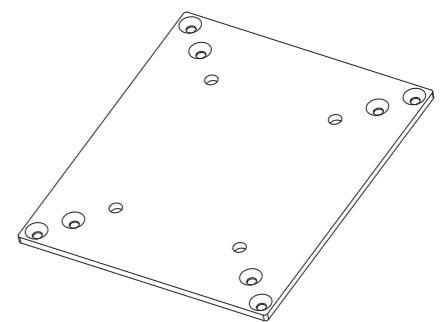


STAND 3 & ATALANTE 5 STAND

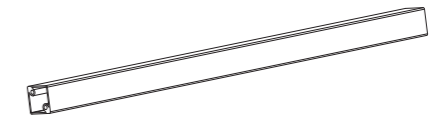
Assembly Instruction



* 8



* 1



* 4

